

PRO DEPTH TRADITIONAL CANOPY HOOD. The Nova Pro now with VAM technology is beautifully wrapped with polished stainless steel edges, clean vertical lines and a pro depth 21.5" canopy. The Nova Pro also features a first in Faber canopies, top or direct rear venting capability inside the 10" tall canopy section!



Now with Variable Air Management adjust CFM for your local codes



## AVAILABLE MODELS

| Model #   | Size / Color | Set your CFM Level | Sound Levels (sones) |
|-----------|--------------|--------------------|----------------------|
| NOPR30SSV | 30 Stainless | 295, 395, 600 CFM  | 2.8 - 7.5 sones      |
| NOPR36SSV | 36 Stainless | 295, 395, 600 CFM  | 2.8 - 7.5 sones      |

**Note: set to 600 CFM motor class out of the box**

## KEY FEATURES

### Vari-Duct System

Top and Rear Direct Venting  
Easy kitchen integration with top and direct rear venting inside the canopy

### Remote Control (optional)

Control all features of the hood from the convenience of a ADA compliant wireless remote control (sold separately).

### Baffle Grease Filters

Dishwasher safe SS metal filters capture grease and allow for easy clean up in the dishwasher.

### Adjustable Mounting Hardware

Wall brackets are adjustable once the hood is hung to insure a perfect level installation.

### Pro Motor

The motor in this hood is surrounded in metal with all metal impellers for top performance.

# NOVA PRO WALL RANGE HOOD



## SPECIFICATIONS

|   |  |
|---|--|
| min / max ceiling height                | 7' 5" - 8' 11 3/8"                     |
| convertible to ductless / recirculating | yes - WITH DUCT5                       |
| canopy depth / height                   | 21 9/16"   10 3/8"                     |
| high ceiling kit                        | yes - up to 11' 8 7/8"                 |
| mounting height from cooking surface    | 24" - 30"                              |
| controls (underneath)                   | 4 speed push button white LED          |
| Variable Air Management                 | Yes (set to 295, 395, 600 CFM)         |
| pro motor (metal impellers)             | Yes                                    |
| lighting                                | 2 X 5 (W) LED                          |
| ducting top / rear (Vari-Duct)          | 6" round                               |
| grease filters                          | dishwasher safe stainless steel baffle |
| adjustable mounting hardware            | yes                                    |
| ADA compliant                           | yes - with remote control purchase     |
| power cord                              | yes - wire box optional                |

## PERFORMANCE

| SPEED | 1   | 2   | 3   | BOOST |
|-------|-----|-----|-----|-------|
| CFM   | 150 | 295 | 395 | 560   |
| Sones | 2.8 | 4.3 | 6.0 | 7.5   |

## MIN / MAX CEILING HEIGHTS

|               | DUCTED     | RECIRC     | HIGH CEILING |
|---------------|------------|------------|--------------|
| Min @ 24" OFF | 7' 5"      | 7' 5"      | 9' 3/8"      |
| Max @ 30" OFF | 8' 11 3/8" | 8' 11 3/8" | 11' 8 7/8"   |

## ACCESSORIES

### # REMORIG -

Wireless Remote Control \*  
Operates hood functions with an optional ADA compliant wireless remote.

### # HIGH3-

High Ceiling Chimney Kit  
Extends the chimney for high ceilings to 11' 8 7/8".

### # DUCT5-

Ductless Conversion Kit  
To convert the Novo Pro to ductless, this kit includes charcoal filters and a diverter to send the air thru the side grates on the upper chimney.

### # FILTER1 -

Charcoal Filter Kit  
High quality charcoal filter for use when recirculating the air back into the kitchen. Filters out odor and should be replaced every 6 months.

### # FILTER1LL2 -

Long Lasting Charcoal Filter Kit  
New washable charcoal filter can be recharged and washed up to 8 times. For use when recirculating the air back into the kitchen. Filters out odor and can last up to 4 years.

### # MUDAMPER6 / MUDAMPER8 -

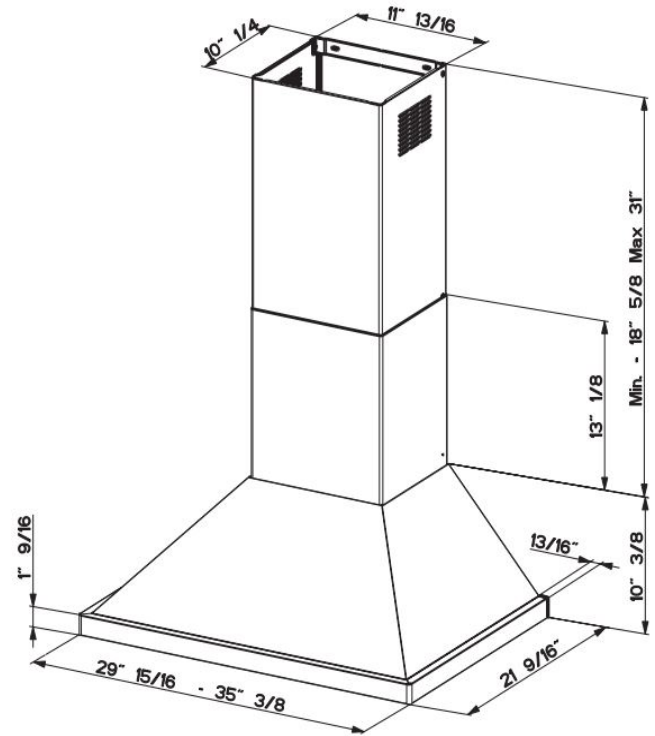
Universal Make-Up Air Damper  
Satisfies make-up air requirements, this kit uses an air switch to activate the make-up air damper to open and bring fresh air into the home when the hood fan is on. It then closes tightly when the hood is off. The CFM level is not reduced with this accessory.

### # WIREBOX -

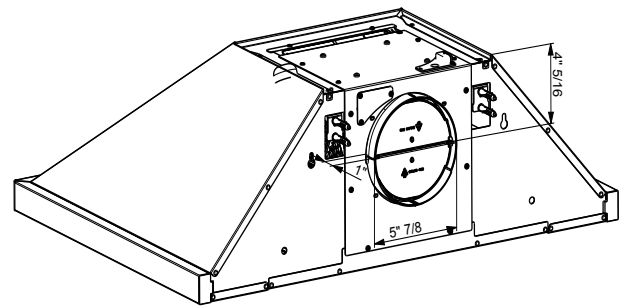
Fixed Wiring Box  
Replace the power cord with a hard wired box to power the range hood.

## DIMENSIONS

### Ducted / Ductless



### Rear Vent (Vari-Duct) Dimensions (blower comes in top vented position)



Product specifications are subject to change without notification. Consult the installation instructions before you begin installing this range hood. \*Check local make up air codes for guidelines.

