

PRO DEPTH TRADITIONAL CANOPY HOOD. The Nova Pro now with VAM technology is beautifully wrapped with polished stainless steel edges, clean vertical lines and a pro depth 21.5" canopy. The Nova Pro also features a first in Faber canopies, top or direct rear venting capability inside the 10" tall canopy section!



Now with
Variable Air Management
adjust CFM for
your local codes



AVAILABLE MODELS

Model #	Size / Color	Set your CFM Level	Sound Levels (sones)
NOPR30SSV	30 Stainless	295, 395, 600 CFM	2.8 - 7.5 sones
NOPR36SSV	36 Stainless	295, 395, 600 CFM	2.8 - 7.5 sones

Note: set to 600 CFM motor class out of the box

KEY FEATURES



Vari-Duct System

Top and Rear Direct Venting
Easy kitchen integration with top and direct rear venting inside the canopy



Remote Control (optional)

Control all features of the hood from the convenience of a ADA compliant wireless remote control (sold separately).



Baffle Grease Filters

Dishwasher safe SS metal filters capture grease and allow for easy clean up in the dishwasher.



Adjustable Mounting Hardware

Wall brackets are adjustable once the hood is hung to insure a perfect level installation.



Pro Motor

The motor in this hood is surrounded in metal with all metal impellers for top performance.

NOVA PRO WALL RANGE HOOD

FABER
AIR MATTERS

SPECIFICATIONS

min / max ceiling height	7' 5" - 8' 11 3/8"
convertible to ductless / recirculating	yes - WITH DUCT5
canopy depth / height	21 9/16" 10 3/8"
high ceiling kit	yes - up to 11' 8 7/8"
mounting height from cooking surface	24" - 30"
controls (underneath)	4 speed push button white LED
Variable Air Management	Yes (set to 295, 395, 600 CFM)
pro motor (metal impellers)	Yes
lighting	2 X 5 (W) LED
ducting top / rear (Vari-Duct)	6" round
grease filters	dishwasher safe stainless steel baffle
adjustable mounting hardware	yes
ADA compliant	yes - with remote control purchase
power cord	yes - wire box optional

PERFORMANCE

SPEED	1	2	3	BOOST
CFM	150	295	395	560
Sones	2.8	4.3	6.0	7.5

MIN / MAX CEILING HEIGHTS

	DUCTED	RECIRC	HIGH CEILING
Min @ 24" OFF	7' 5"	7' 5"	9' 3/8"
Max @ 30" OFF	8' 11 3/8"	8' 11 3/8"	11' 8 7/8"

ACCESSORIES

REMCTRL2 -
Wireless Remote Control *
Operates hood functions with an optional ADA compliant wireless remote.

HIGH3-
High Ceiling Chimney Kit
Extends the chimney for high ceilings to 11' 8 7/8".

DUCT5-
Ductless Conversion Kit
To convert the Novo Pro to ductless, this kit includes charcoal filters and a diverter to send the air thru the side grates on the upper chimney.

FILTER1 -
Charcoal Filter Kit
High quality charcoal filter for use when recirculating the air back into the kitchen. Filters out odor and should be replaced every 6 months.

MESH2 / MESH3 -
Mesh Grease Filter (30", 36")
Replace baffle filters with mesh filters

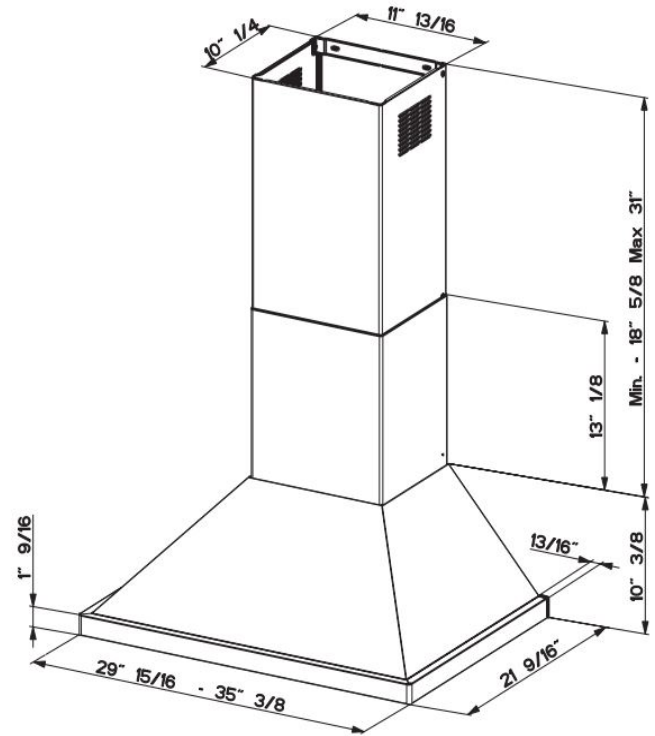
FILTER1LL -
Long Lasting Charcoal Filter Kit
New washable charcoal filter can be recharged and washed up to 8 times. For use when recirculating the air back into the kitchen. Filters out odor and can last up to 4 years.

MUDAMPER6 / MUDAMPER8 -
Universal Make-Up Air Damper
Satisfies make-up air requirements, this kit uses an air switch to activate the make-up air damper to open and bring fresh air into the home when the hood fan is on. It then closes tightly when the hood is off. The CFM level is not reduced with this accessory.

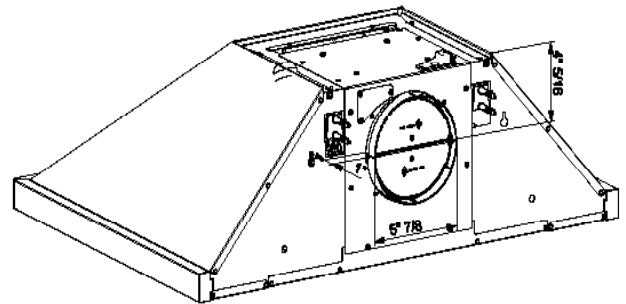
WIREBOX -
Fixed Wiring Box
Replace the power cord with a hard wired box to power the range hood.

DIMENSIONS

Ducted / Ductless



Rear Vent (Vari-Duct) Dimensions (blower comes in top vented position)



WARNING! Product specifications are subject to change without notification. Consult the installation instructions before you begin installing this range hood. * Check local make up air codes for guidelines.



Rev :4/19

2 Cabot Road Hudson, MA 01749 • TEL: (508) 358-5353 • E-Mail: info@faberonline.com www.faberonline.com



Imagined in Italy