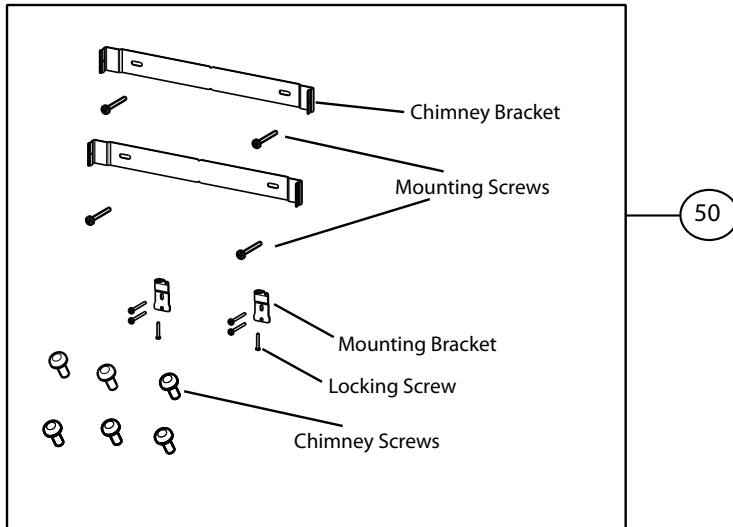
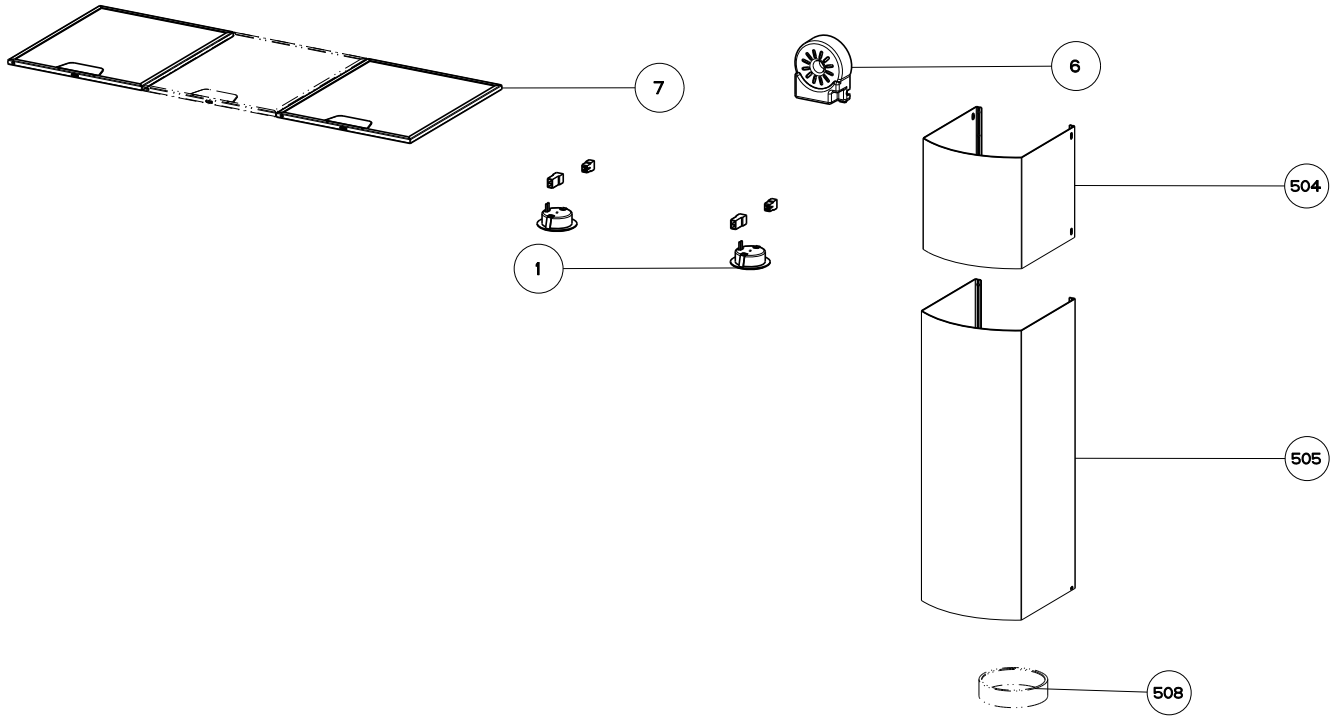


TENDER ELECTRONIC CONTROLS

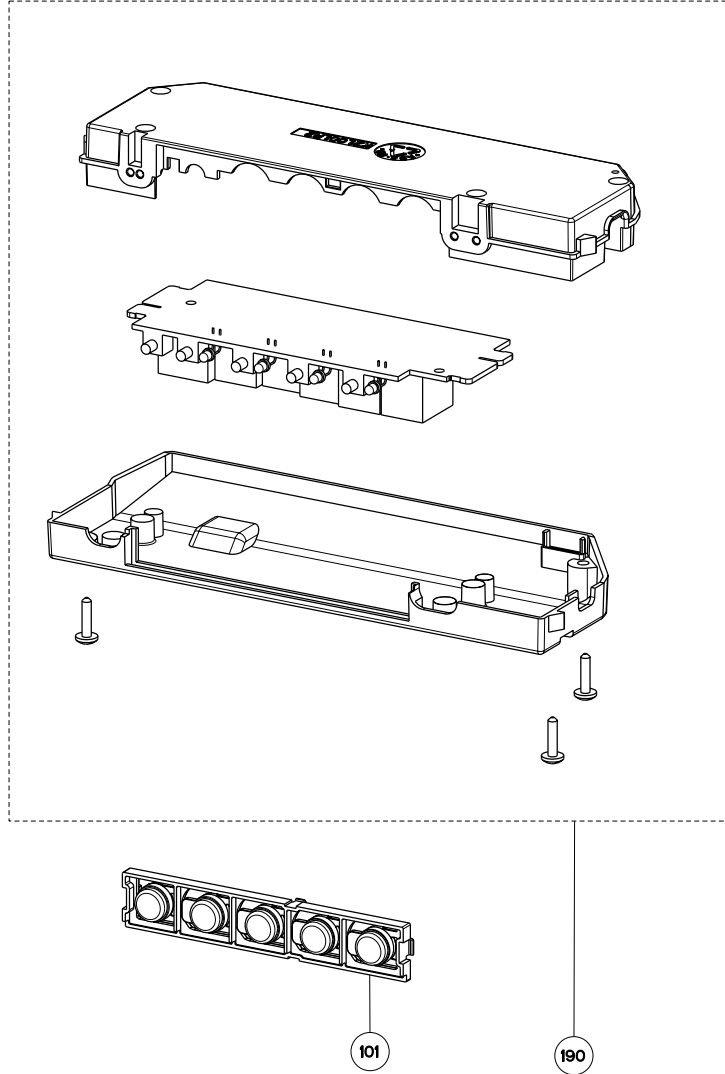
body / chimney / control components



	Model Number	TEND30SS	TEND36SS	TEND30SS300	TEND36SS300	
Key	Description	30	36	30 - 300 cfm	36 - 300 cfm	Qty Req.
1	Light Fixture	133.0052.793	133.0052.793	133.0052.793	133.0052.793	2
1	Halogen Bulb only	133.0000.001	133.0000.001	133.0000.001	133.0000.001	2
6	Transformer	133.0052.516	133.0052.516	133.0052.516	133.0052.516	1
7	Grease Filter	133.0060.902	133.0060.902	133.0060.902	133.0060.902	30 = 2, 36 = 3
50	Mounting Kit Tender	133.0084.480	133.0084.480	133.0084.480	133.0084.480	1
504	Upper Chimney	133.0067.516	133.0067.516	133.0067.516	133.0067.516	1
505	Lower Chimney	133.0178.493	133.0178.493	133.0178.493	133.0178.493	1
508	Damper	133.0055.994	133.0055.994	133.0055.994	133.0055.994	1

TENDER ELECTRONIC CONTROLS

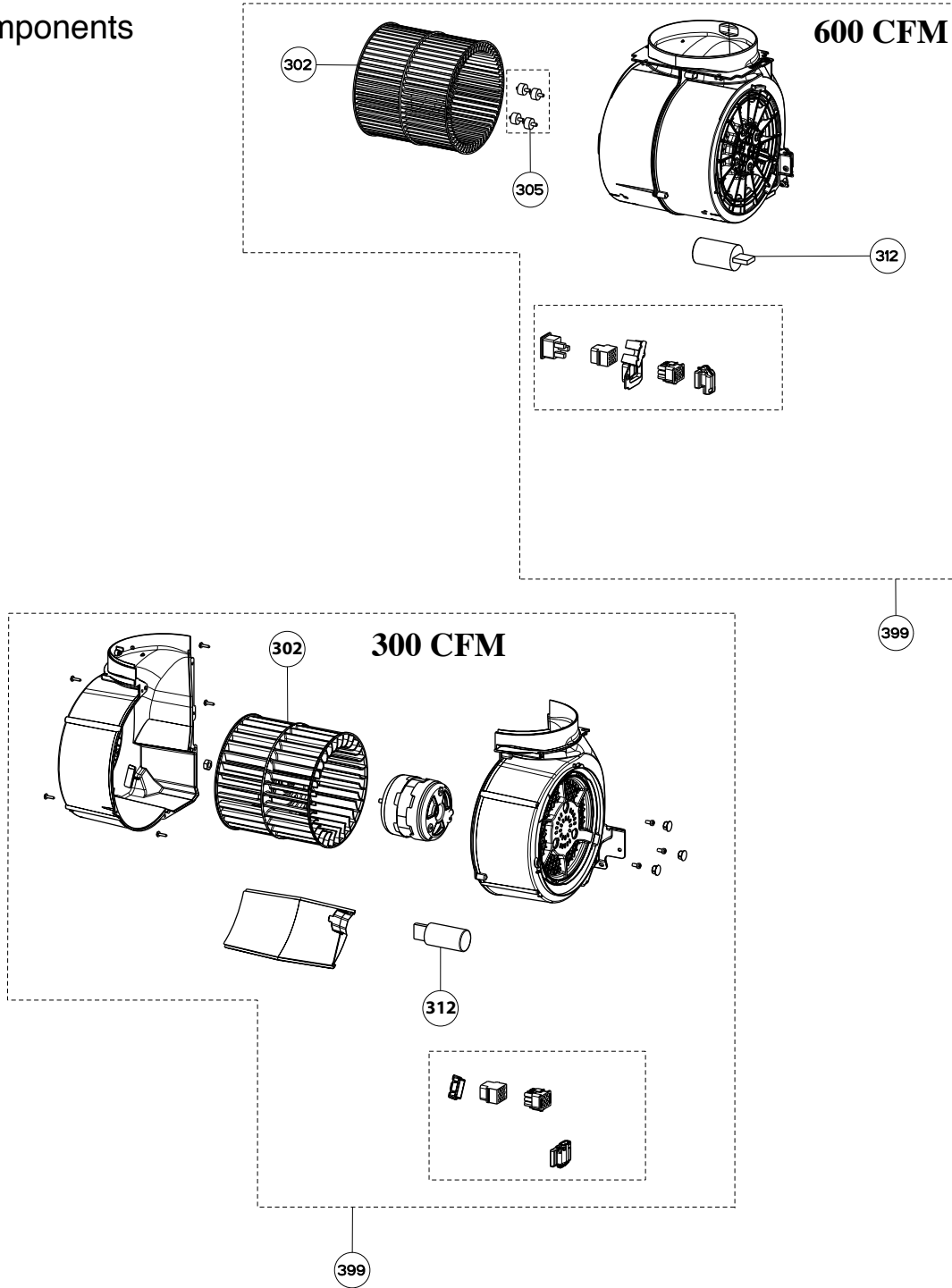
switch components



	Model Number	TEND30SS	TEND36SS	TEND30SS300	TEND36SS300	
Key	Description	30	36	30 - 300 cfm	36 - 300 cfm	Qty Req.
101	Control Button Kit	133.0176.906	133.0176.906	133.0176.906	133.0176.906	1
190	Switchboard Kit	133.0176.907	133.0176.907	133.0176.907	133.0176.907	1

TENDER ELECTRONIC CONTROLS

motor components



	Model Number	TEND30SS	TEND36SS	TEND30SS300	TEND36SS300	
Key	Description	30	36	30 - 300 cfm	36 - 300 cfm	Qty Req.
302	Impeller Kit	133.0052.799	133.0052.799	133.0178.632	133.0178.632	1
305	Rubber Motor Mount	133.0051.604	133.0051.604			1
312	Capacitor	133.0060.648	133.0060.648	133.0071.827	133.0071.827	1
399	Motor Kit	133.0052.798	133.0052.798	133.0178.492	133.0178.492	1