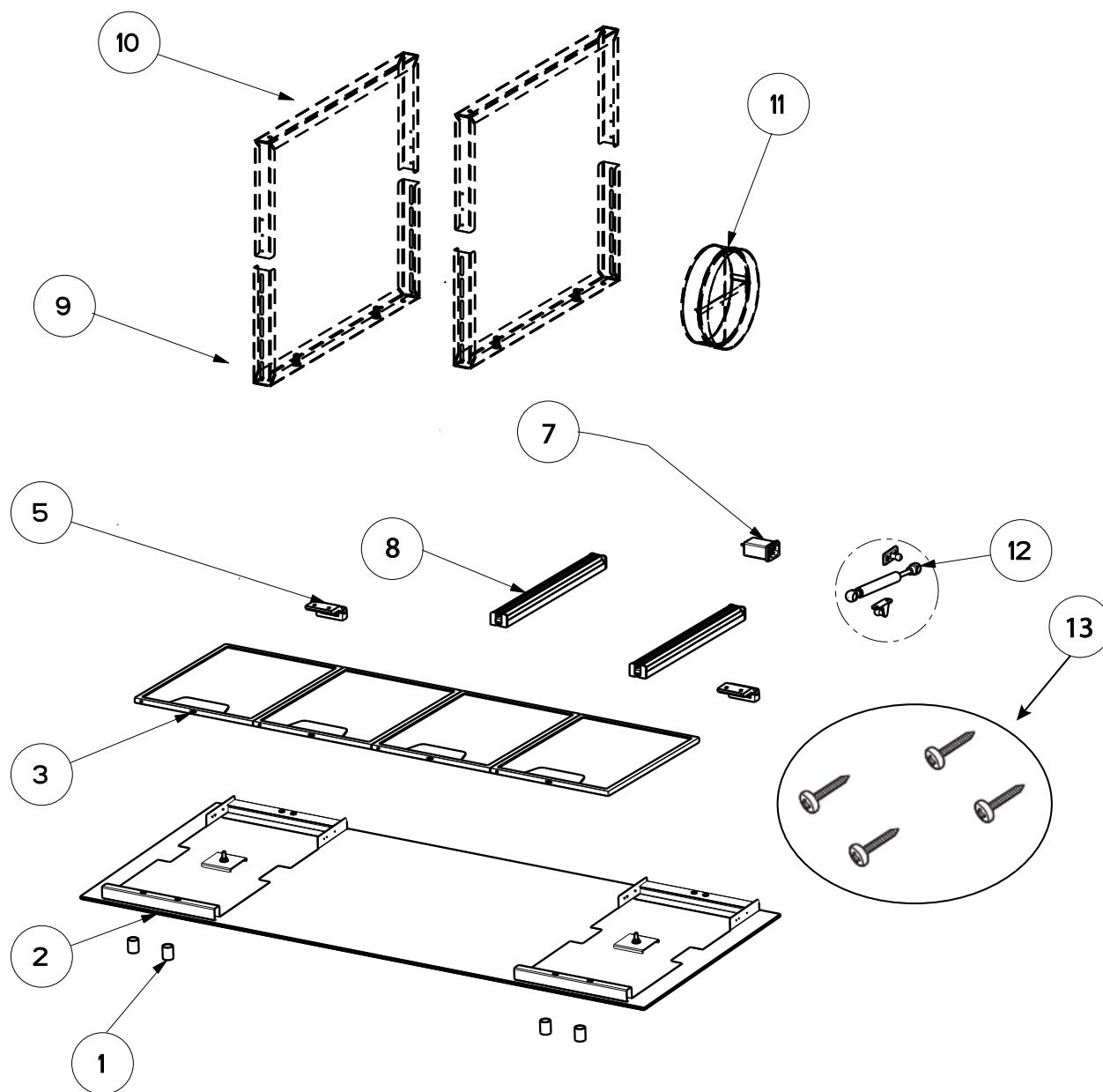


STRATUS WHITE 2018 NB BLOWER MODEL

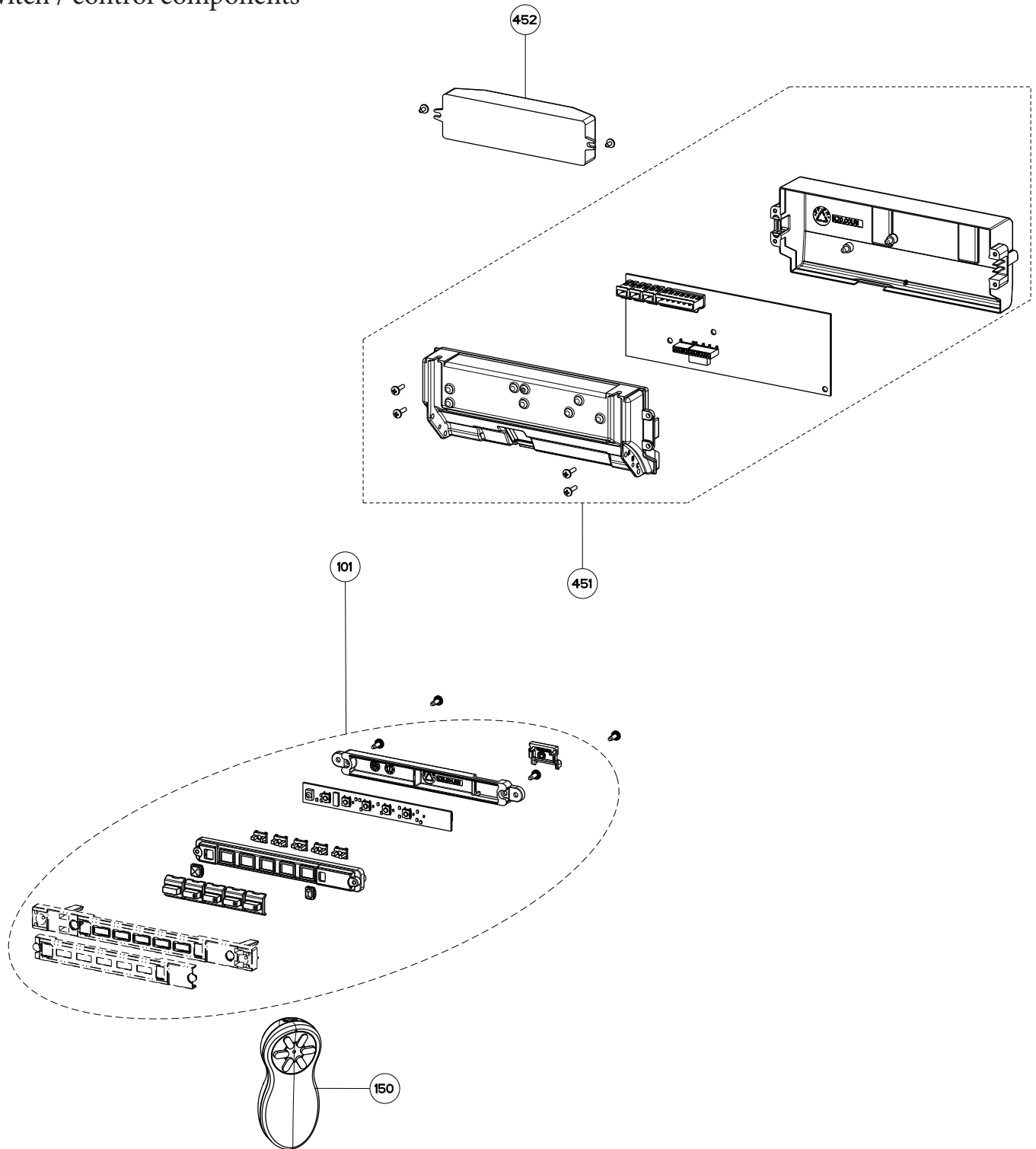
body components



	Model Number	STRTIS36WHNB	STRTIS48WHNB	
Key	Description	36 White	48 White	Qty Req.
1	Panel Magnet	133.0309.937	133.0309.937	2 (36"), 4 (48")
2	Perimetric Glass Panel	133.0315.412	133.0379.821	1
3	Grease Filter	133.0036.291	133.0036.291	3 (36"), 4 (48")
5	Panel Hinge Kit	133.0311.156	133.0304.582	2
7	Electric Filter	133.0312.535	133.0312.535	1
8	LED Light Bar	133.0380.610	133.0380.610	2
9	Lower Mounting Bracket	133.0433.035	133.0433.035	2
10	Upper Mounting Bracket	133.0433.034	133.0433.034	2
11	Damper	133.0055.994	133.0055.994	1
12	Hinge Panel Support		133.0304.581	1
13	Stratus Hardware Kit	133.0548.899	133.0548.899	1

STRATUS WHITE 2018 NB BLOWER MODEL

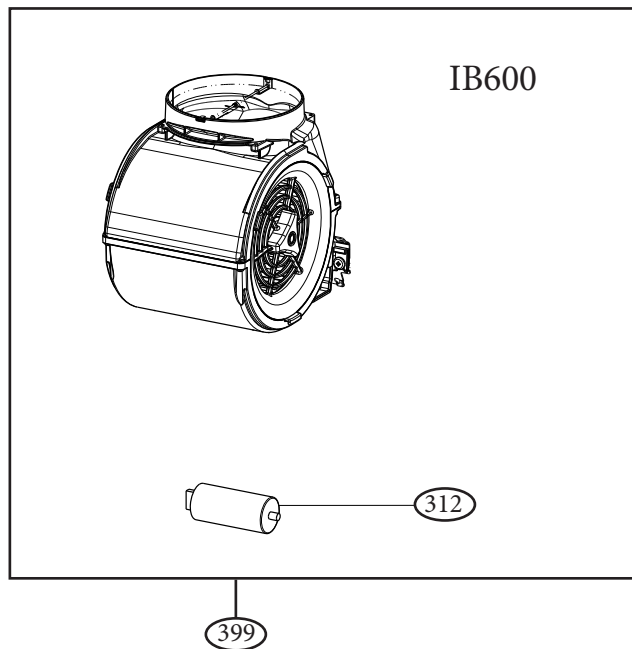
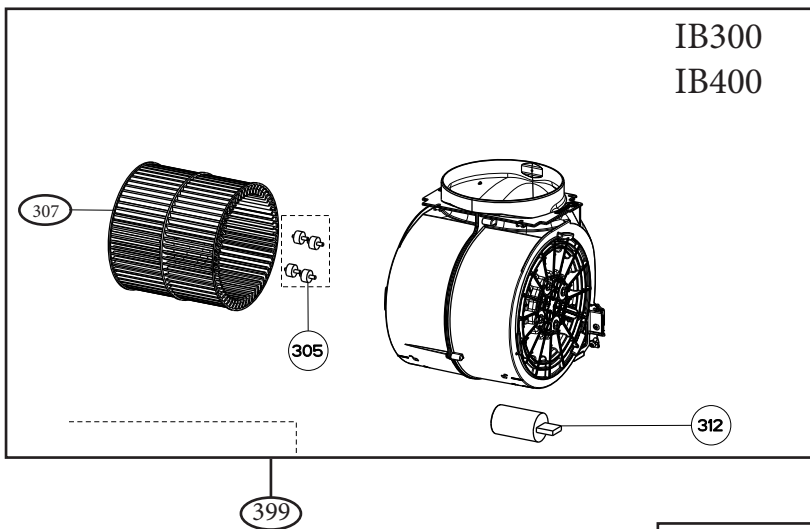
switch / control components



	Model Number	STRTIS36WHNB	STRTIS48WHNB	
Key	Description	36 White	48 White	Qty Req.
101	Control Kit	133.0386.936	133.0386.936	1
451	Control Board	133.0516.453	133.0516.453	1
452	Transformer	133.0171.826	133.0171.826	1
150	Remote Control	REMCTRL	REMCTRL	1

STRATUS WHITE 2018 NB BLOWER MODEL

motor components



	Model Number	IB300	IB400	IB600	
Key	Description	300 cfm motor	400 cfm motor	600 cfm motor	Qty Req.
305	Rubber Motor Mount	133.0051.603	133.0051.603		1
307	Impeller	133.0052.519	133.0052.519		1
312	Capacitor	133.0060.648	133.0060.648	133.0060.648	1
399	Motor Group	133.0178.492	133.0052.518	133.0200.468	1