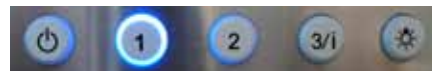


# Classica Wall Range Hood

A value alternative in canopy wall hoods



ON AIR. SINCE 1955



Backlit electronic controls with a blue LED light to indicate the current speed and lighting on/off

Designed to offer a high-end look without the high-end price tag, the Classica offers a chimney style range hood for the price conscious customer. Traditional styling, designer features, and solid performance make the Classica a great value in canopy range hoods.

Model #	Size   Color	Performance Range	Sound Levels
CLAS30SS	30 Stainless	160 - 600 CFM	3.5 - 6.5 sones
CLAS36SS	36 Stainless	160 - 600 CFM	3.5 - 6.5 sones



## Feature Chart

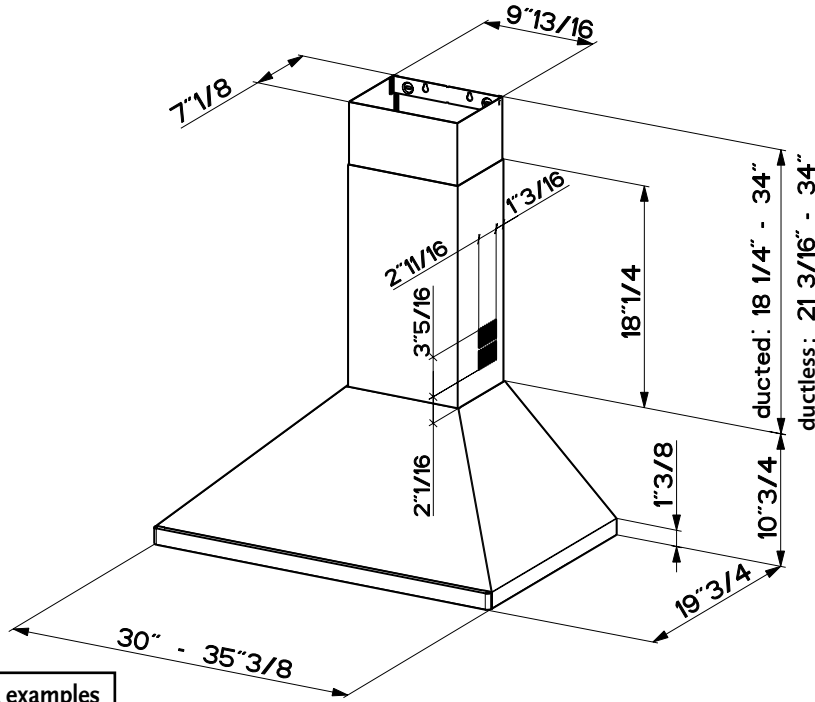
Min. / Max. Ceiling Height	7' 5" - 9' 2 3/4"
Canopy Depth / Height	19" D / 10 3/4" H
High Ceiling Kit	Yes - up to 11' 1 1/2"
Convertible to Recirculating	Yes - ductless chimney included, charcoal kit needed
Controls	3 Speed Push w/ Blue LED
Lighting	2 X 20 (W) Halogen
Ducting Top	6" Round
Ducting Direct Rear	N/A
Grease Filters	dishwasher safe mesh
10 Minute Intensive Speed	Yes
AC Input	120 V - 60 hz
AC Power	Max 370 W at 3.1 A
<b>Annual Electricity Costs</b>	<b>\$6.17 / Year *</b>

\* Note – ran 30 minutes a day on low speed, 365 days, using the North American average of 12.2 cents per kWh.

p.o. box 435 • Wayland, MA 01778 • tel: (508) 358-5353 • fax: (508) 358-5730 • e-mail: info@faberonline.com • www.faberonline.com

## Dimensional Diagrams

(see installation instructions for more information)



min & max ceiling height examples x = range hood height above cook top	
<b>x = 24"</b>	<b>x = 30"</b>
<b>min</b>	<b>min</b>
7' 5"	7' 11"
<b>max</b>	<b>max</b>
8' 8 3/4"	9' 2 3/4"

For shorter ceilings, have the chimney cover(s) cut at a sheet metal shop. For higher ceiling installations, the High Ceiling Chimney Kit includes a 39" upper chimney which would replace the 15 3/4" upper chimney that came with the hood.

## ACCESSORIES

### High Ceiling Chimney Kit # HIGHCLAS

One 39" upper chimney to replace 15 3/4" upper chimney that came with the hood



### CFM Reducer Kit # CFMRED

For use in make up air environments where an under 300 cfm hood is required. This kit reduces the ducting to 5" round and reduces the cfm to under 300



### Ductless Conversion Kit # DUCTCLAS

Includes: Ductless Diverter  
• Two Charcoal Filters



### Replacement Charcoal Filter # FILTER1

For ductless installations, high quality, heavy duty filters ensure the removal of smoke and odors from the kitchen.



### Universal Make-Up Air Damper

Satisfies current make-up air requirements, this kit uses an air switch above the hood to activate the make-up air damper to open and bring fresh air into the home whenever the hood fan is operating and then close tightly when the hood is off. The CFM level is not reduced by using this kit.

### # MUDAMPER6 / MUDAMPER8 (6") (8")

