

# CRISTAL 24 SS SLIDE OUT RANGE HOOD



**POWERFUL, PRACTICAL, EFFICIENT UNDER CABINET RANGE HOOD.** For a streamlined look in the kitchen, the Cristal 24 slide out hood is your integrated choice with a Stainless Steel pull-out visor which slides in, neatly tucking the hood away. For total integration, the front strip can be replaced with material to match your cabinets. **NEW - WITH ENERGY EFFICIENT LED LIGHTS AND A CONVENIENT POWER PLUG**

**NOW WITH LED BULBS  
AND POWER PLUG**



## AVAILABLE MODELS

Model #	Size / Color	Motor Class (CFM)	Sound Levels (sones)
CRIS24SS300	24" Stainless	300 CFM	2 - 4

## KEY FEATURES



**Auto on/off with pull out visor**  
Lights and fan turn on automatically when you slide the hood visor out.



**Dish Washer Safe Filters**  
Market leader with 2 full width dishwasher safe mesh filters for full ventilation coverage.



**EasySnap Mounting Clips**  
Installation with easy built-in adjustable clips that tighten onto the sides of the cabinet floor.



**Fully Customizable Front Trim**  
Front visor trim can easily be integrated into your kitchen decor with customized front panels.

# CRISTAL 24 SS SLIDE OUT RANGE HOOD

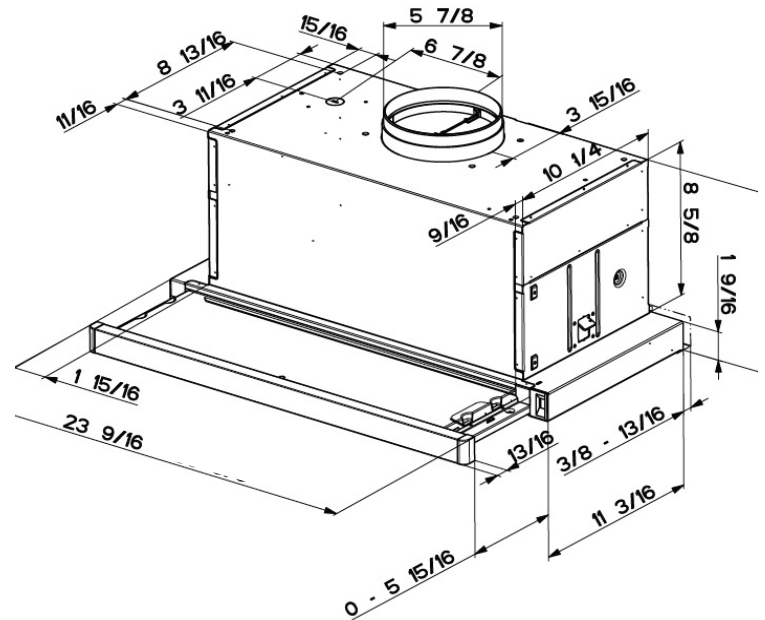


## SPECIFICATIONS

cabinet cut out	19 3/4" (W) x 10 3/8" (D)
convertible to ductless / recirculating	Yes - sold separately, need air return back into the kitchen out of the cabinet
controls	3 speed slider
lighting	2 x 3 (w) LED <b>(NEW)</b>
ducting top	6" round
grease filters	2 dishwasher safe mesh filters
auto on/off	yes - fan/lights turn on when pulled out
stainless steel front panel	yes
make up air compliant *	yes
integrate front panel	yes - use your own custom front
built in mounting hardware	yes - easy snap mounting clips
power cord included	yes <b>(NEW)</b>
AC input / AC power	120V - 60hz / 190 W / 1.8 A

## DIMENSIONS

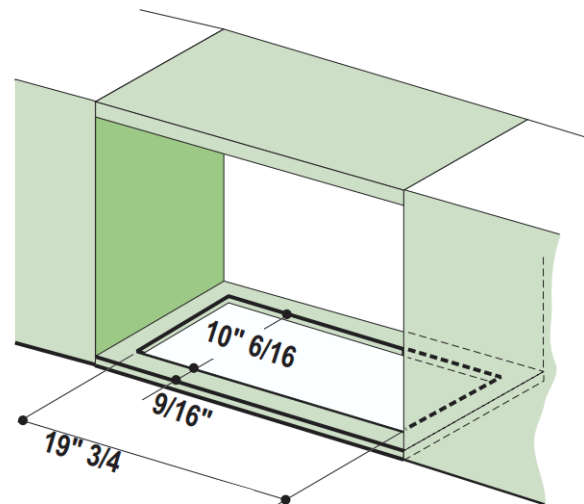
### Product Dimensions



## PERFORMANCE

SPEED	1	2	3
CFM	100	200	300
Sones	2.0	3.0	4.0

### Cut Out



## ACCESSORIES

### # FILTER1 – Charcoal Filter Kit

High quality charcoal filter for use when recirculating the air back into the kitchen. Filters out odor and should be replaced every 6 months

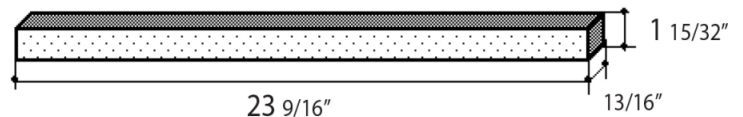
### # FILTER1LL – Long Lasting Charcoal Filter Kit

New washable charcoal filter can be recharged and washed up to 8 times. For use when recirculating the air back into the kitchen. Filters out odor and can last up to 4 years

### # WIREBOX – Fixed Wiring Box

Replace the power cord with a hard wired box to power the range hood

### Custom Front Panel Dimensions



WARNING! Product specifications are subject to change without notification. Consult the installation instructions before you begin installing this range hood. \* Check local make up air codes for guidelines.



Imagined in Italy