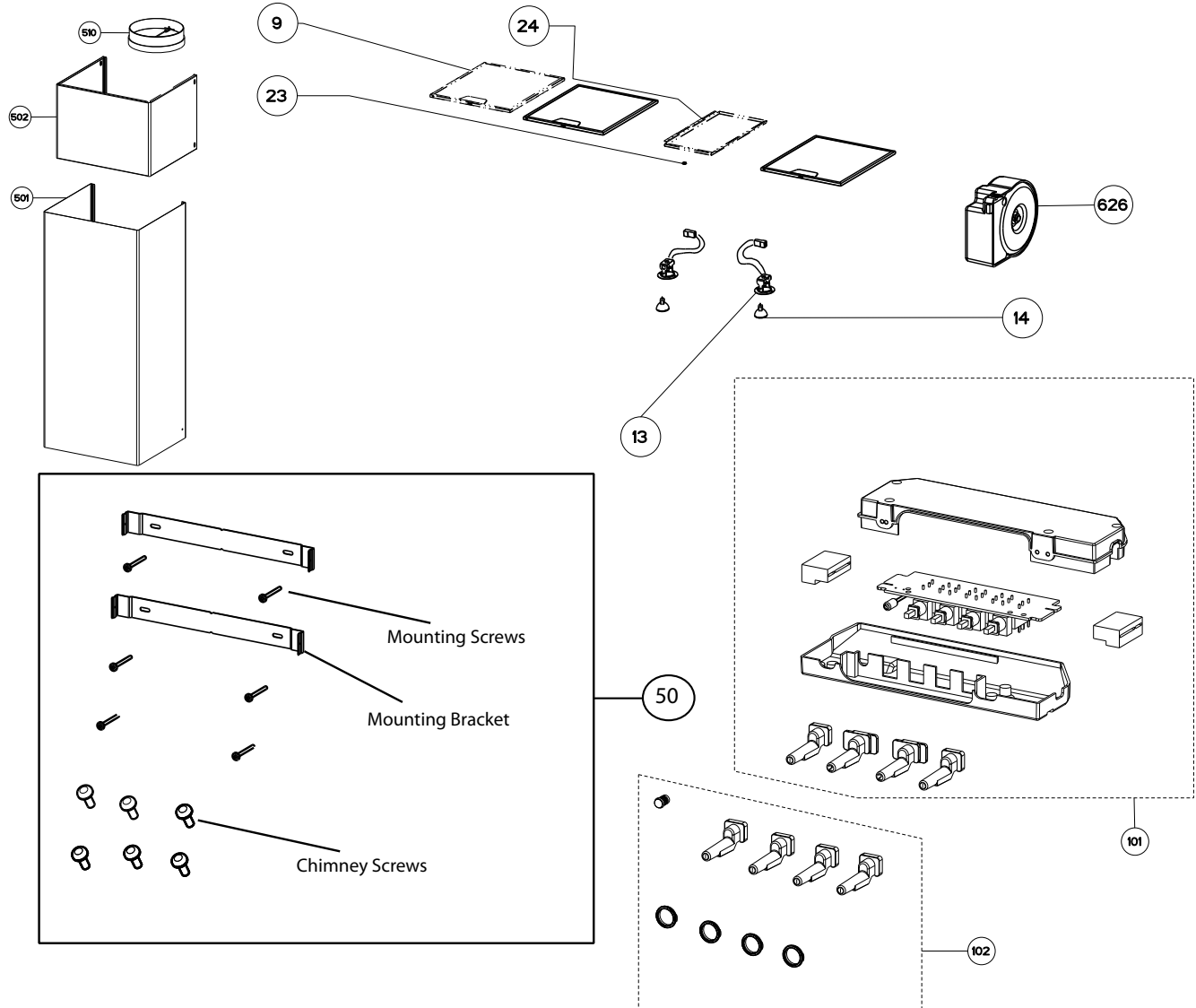


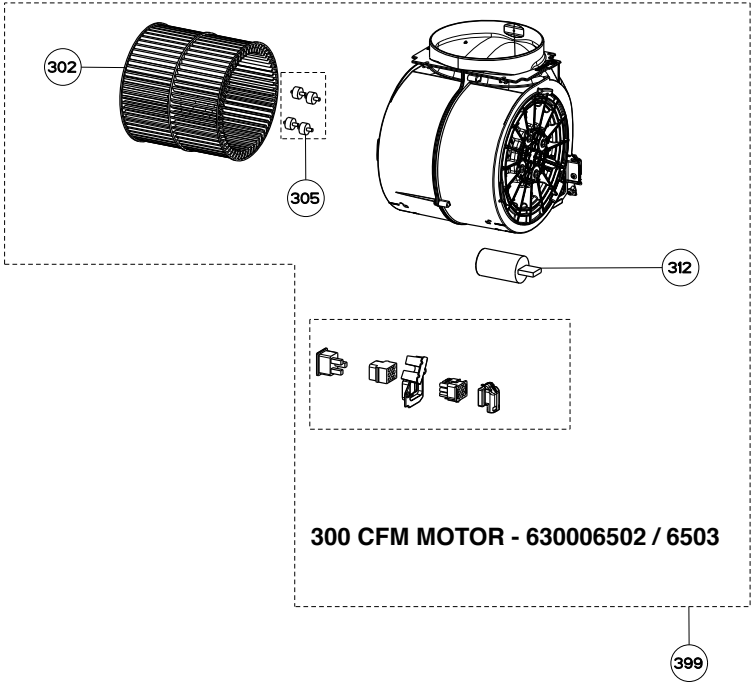
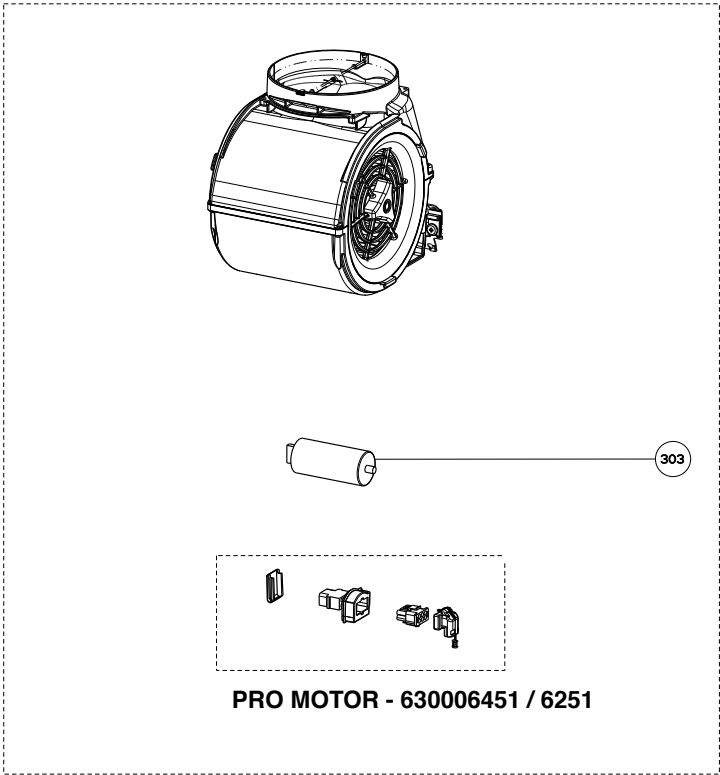
DAMA

body / switch / chimney components



	Model Number	DAMA30SS / 630006451	DAMA36SS / 630006251	DAMA30SS300 / 630006502	DAMA36SS300 / 630006503	
Key	Description	30	36	30 - 300 cfm	36 - 300 cfm	Qty Req.
9	Grease Filter	133.0060.902	133.0060.902	133.0060.902	133.0060.902	2=30", 3=36"
13	Lampholder	133.0056.061	133.0056.061	133.0052.517	133.0052.517	2
14	Halogen Lamp	133.0046.418	133.0046.418	133.0046.418	133.0046.418	2
23	Stopper	133.0017.608		133.0017.608		1
24	Filter Spacer and Latch	133.0061.496		133.0061.496		1
50	Mounting Kit Easy Cube	133.0084.478	133.0084.478	133.0084.478	133.0084.478	1
101	Switchboard Kit	133.0056.179	133.0056.179	133.0052.515	133.0052.515	1
102	Button and Trim ring kit	133.0052.513	133.0052.513	133.0052.513	133.0052.513	1
501	Lower Chimney	133.0057.242	133.0057.242	133.0057.242	133.0057.242	1
502	Upper Chimney	133.0018.357	133.0018.357	133.0018.357	133.0018.357	1
510	Damper	133.0055.994	133.0055.994	133.0055.994	133.0055.994	1
626	Transformer kit	133.0052.516	133.0052.516	133.0052.516	133.0052.516	1

DAMA
motor components



	Model Number	DAMA30SS / 630006451	DAMA36SS / 630006251	DAMA30SS300 / 630006502	DAMA36SS300 / 630006503	
Key	Description	30	36	30 - 300 cfm	36 - 300 cfm	Qty Req.
302	Impeller Kit (2 in kit)			133.0052.519	133.0052.519	1
303	Capacitor	133.0060.648	133.0060.648	133.0060.648	133.0060.648	1
303	Capacitor (S - W serial #)	133.0056.000	133.0056.000	133.0056.000	133.0056.000	1
305	Motor Rubbers Kit (2 in kit)			133.0051.603	133.0051.603	1
399	Motor Kit	133.0055.998	133.0055.998	133.0052.518	133.0052.518	1