

# Dama Wall Hood

A value alternative in wall mounted range hoods



ON AIR. SINCE 1955



Designed to offer a high-end decorative look while taking into consideration great value. Traditional styling, great features, and solid performance make the Dama wall hood a great choice in canopy range hoods.

Model #	Size   Color	Performance Range	Sound Levels
DAMA30SS	30 Stainless	160 - 600 CFM	3.5 - 6.5 sones
DAMA36SS	36 Stainless	160 - 600 CFM	3.5 - 6.5 sones
DAMA30SS300	30 Stainless	80 - 300 CFM	2.0 - 4.0 sones
DAMA36SS300	36 Stainless	80 - 300 CFM	2.0 - 4.0 sones



## Feature Chart

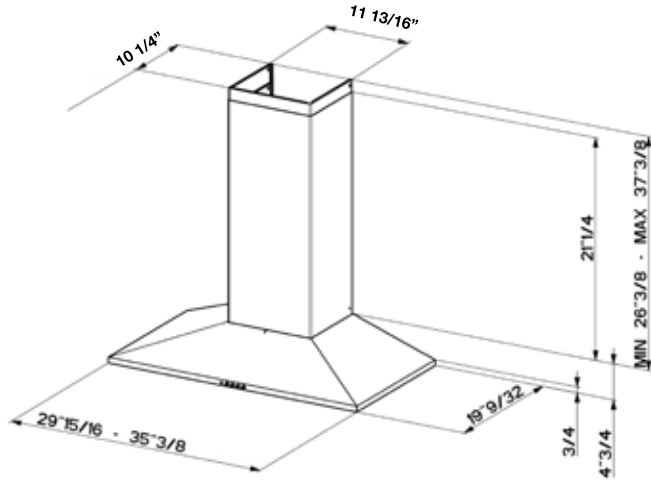
Min. / Max. Ceiling Height	7' 7 1/8" - 9' 1/8"
Canopy Depth / Height	19 9/32" D / 4 3/4" H
High Ceiling Kit	Yes - up to 11'
Convertible to Ductless / Recirculating	Yes - ductless kit needed
Controls	3 Speed Push
Lighting	2 X 20 (W) Halogen
Ducting Top	6" Round
Grease Filters	dishwasher safe mesh
Easy Cube Mounting	Yes
Pro Motor with Metal Impellers	Yes
AC Input	120 V - 60 hz
AC Power 600 / 300 cfm	Max 490 W at 4.1 A / 320 W at 2.7 A
<b>Annual Electricity Costs (600 / 300 cfm)</b>	<b>\$5.29 / \$3.62 / Year *</b>

\* Note – ran 30 minutes a day on low speed with the lights on, 365 days, using the North American average of 12.2 cents per kWh.  
 p.o. box 435 • Wayland, MA 01778 • tel: (508) 358-5353 • fax: (508) 358-5730 • e-mail: info@faberonline.com • www.faberonline.com

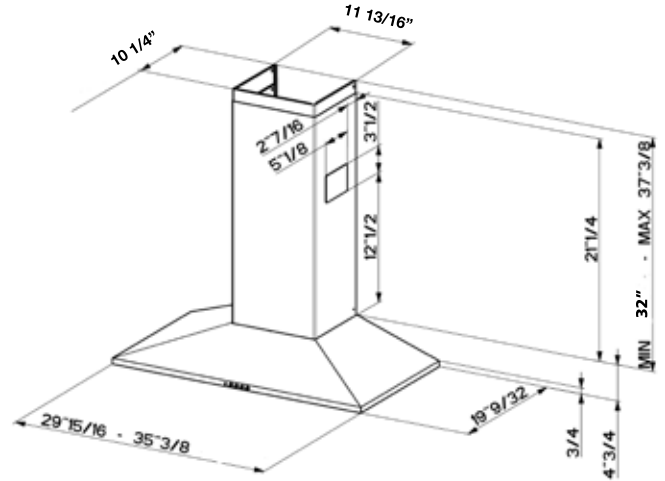
## Dimensional Diagrams

(see installation instructions for more information)

### Ducted



### Ductless



min & max ceiling height examples			
x = range hood height above cook top			
ductless		ducted	
x = 24"	x = 30"	x = 24"	x = 30"
min	min	min	min
8' 3/4"	8' 6 3/4"	7' 7 1/8"	8' 1 1/8"
max	max	max	max
8' 6 1/8"	9' 1/8"	8' 6 1/8"	9' 1/8"

For shorter ceilings, have the chimney cover(s) cut at a sheet metal shop. For higher ceiling installations, the High Ceiling Chimney Kit includes a new 39" upper chimney which would replace the 16 1/8" upper chimney that came with the hood.

## ACCESSORIES

### High Ceiling Chimney Kit # HIGH1

One 39" upper chimney to replace 16 1/8" upper chimney that came with hood



### Replacement Charcoal Filter # FILTER2

For ductless installations, high quality, heavy duty filters ensure the removal of smoke and odors from the kitchen.



### Ductless Conversion Kit # DUCT1

Includes: • Lower Chimney with holes for ducting • Ductless Diverter Assembly • Vent Grates • Charcoal Filter



### Universal Make-Up Air Damper # MUDAMPER6 / MUDAMPER8

(6")                      (8")

Satisfies current make-up air requirements, this kit uses an air switch above the hood to activate the make-up air damper to open and bring fresh air into the home whenever the hood fan is operating and then close tightly when the hood is off. The CFM level is not reduced by using this kit.

