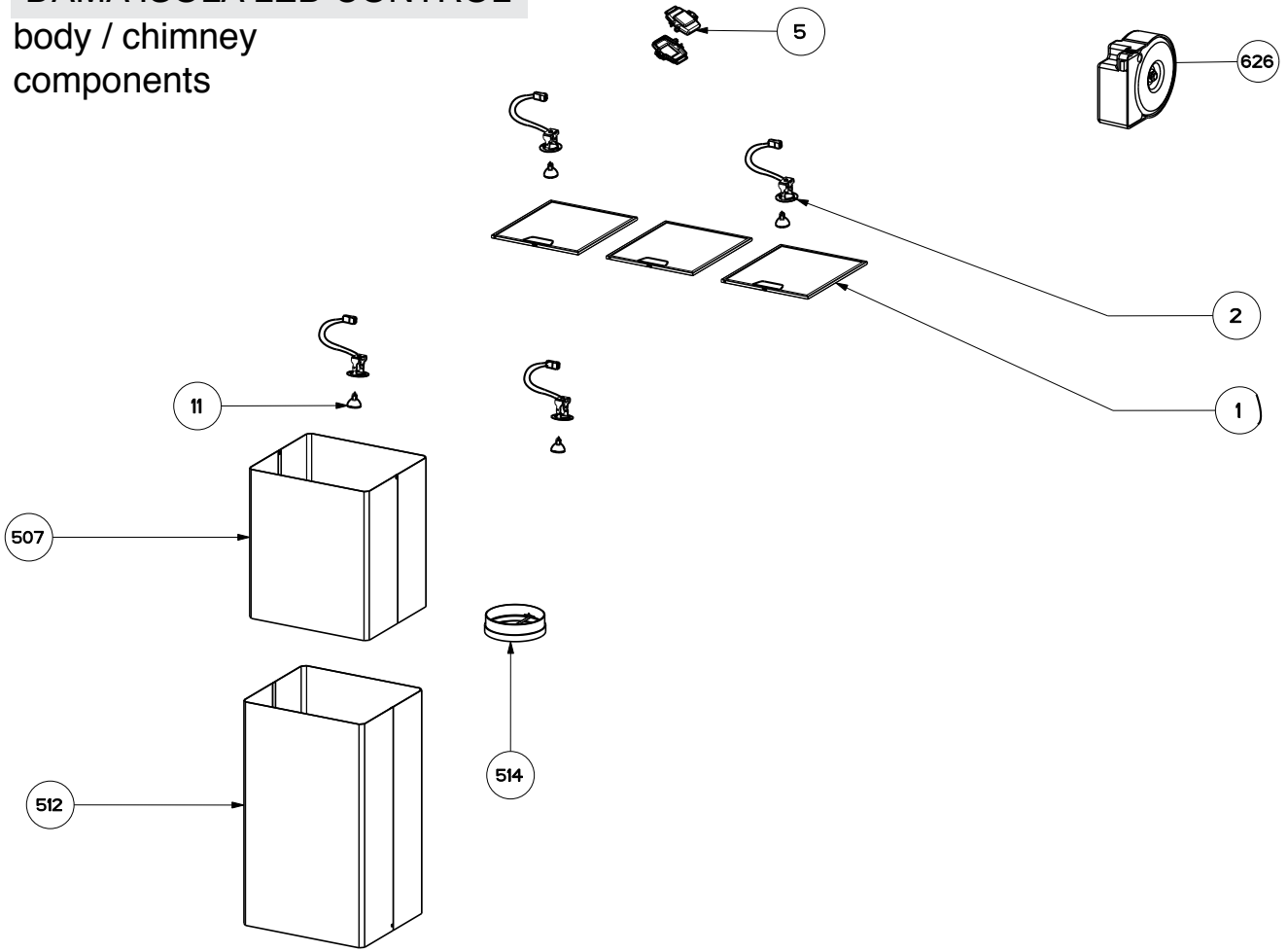


DAMA ISOLA LED CONTROL

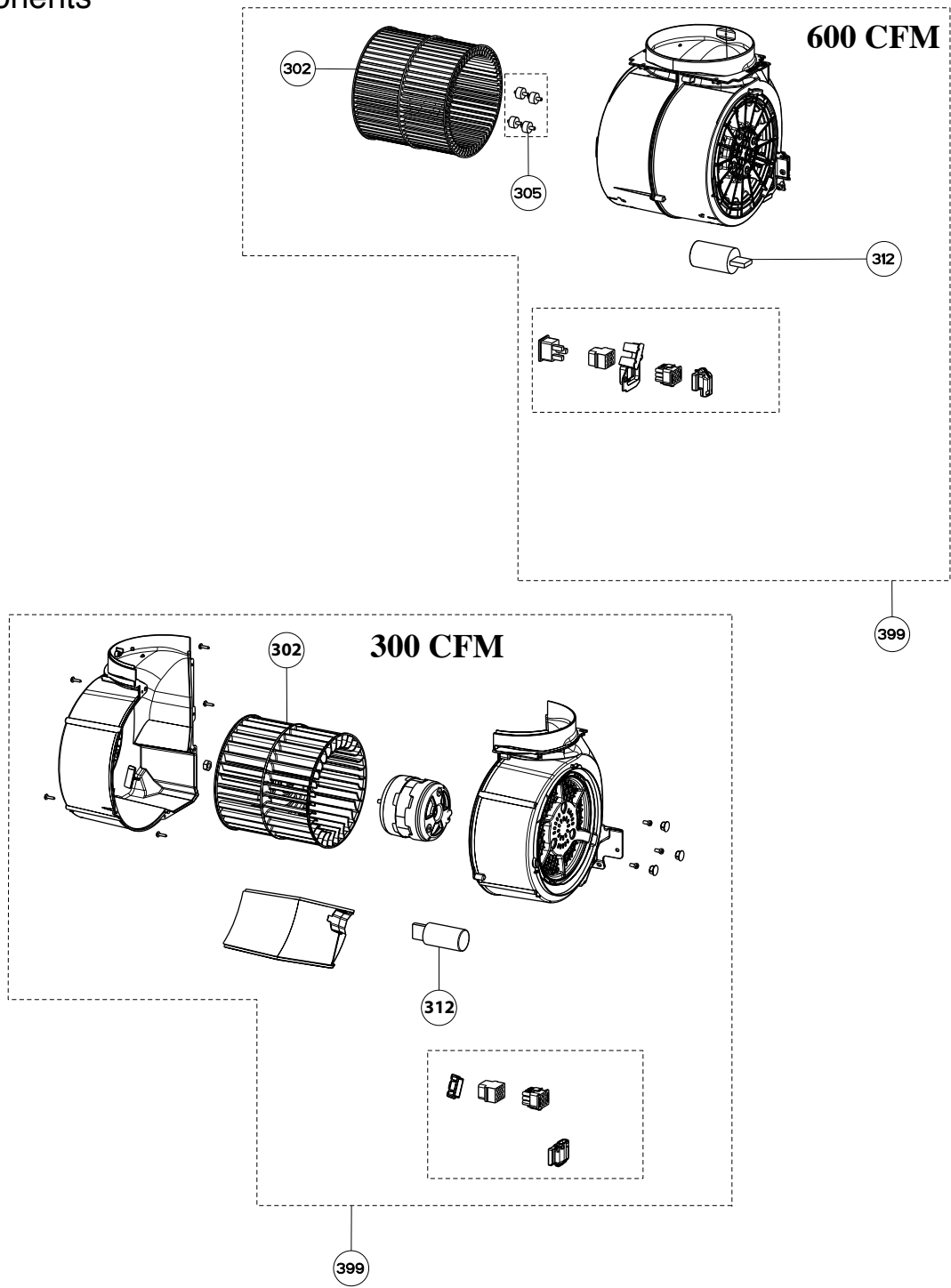
body / chimney
components



	Model Number	DAMIS36SS	DAMIS36SS300	
Key	Description	36	36 - 300 cfm	Qty Req.
1	Grease Filter	133.0017.054	133.0017.054	3
2	Lamp Holder	133.0052.517	133.0052.517	4
5	Connector Box	133.0052.276	133.0052.276	1
11	Halogen Lamp	133.0046.418	133.0046.418	4
507	Upper Chimney Cover	133.0062.273	133.0062.273	1
512	Lower Chimney Cover	133.0062.473	133.0062.473	1
514	Damper	133.0055.994	133.0055.994	1
626	Transformer kit	133.0052.578	133.0052.578	1

DAMA ISOLA LED CONTROL

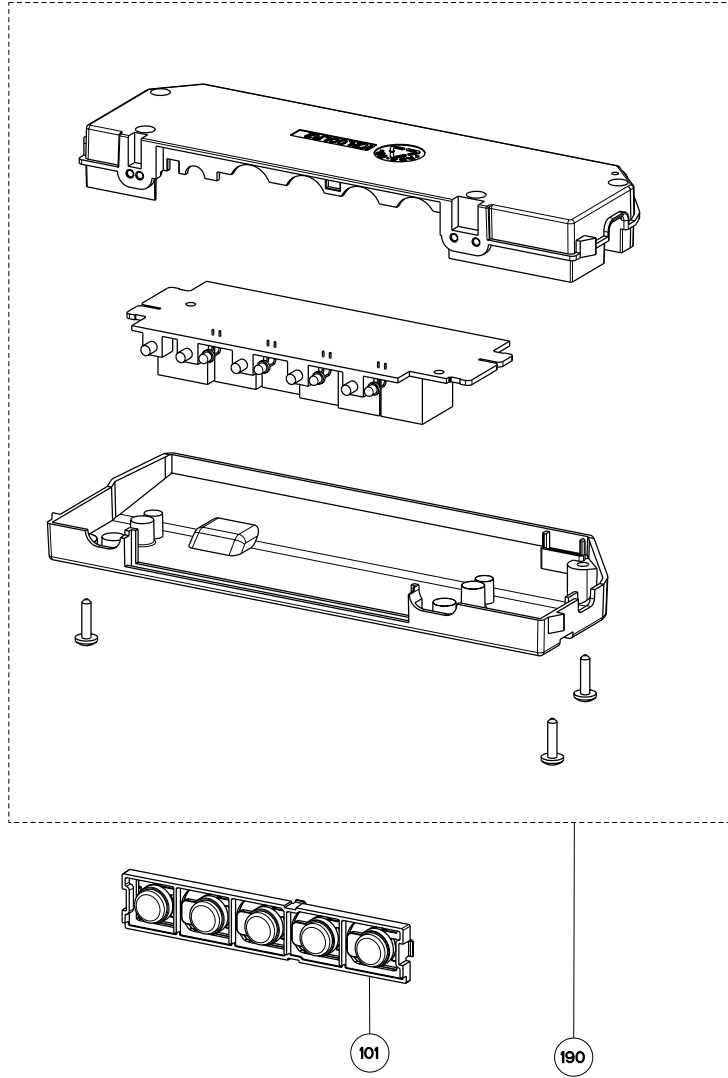
motor components



	Model Number	DAMIS36SS	DAMIS36SS300	
Key	Description	30	30 - 300 cfm	Qty Req.
302	Impeller Kit	133.0052.799	133.0178.632	1
305	Rubber Motor Mount	133.0051.604		1
312	Capacitor	133.0060.648	133.0071.827	1
399	Motor Kit	133.0052.798	133.0178.492	1

DAMA ISOLA LED CONTROLS

switch components



	Model Number	DAMIS36SS	DAMIS36SS300	
Key	Description	36	36 - 300 cfm	Qty Req.
101	Control Button Kit	133.0176.906	133.0176.906	1
190	Switchboard Kit	133.0176.907	133.0176.907	1

DAMA ISOLA LED CONTROLS

installation hardware



	Model Number	DAMIS36SS	DAMIS36SS300	
Key	Description	36	36 - 300 cfm	Qty Req.
	Mounting Kit Island	133.0084.479	133.0084.479	1
A	4 Bolts to Attach Canopy to Chimney			1
B	Wood Shelf Nut			1
C	Wood Shelf Washer			1
D	Wood Shelf Bolt			1
E	Wood Screw			1
F	Connector Box w/screws			1
G	Chimney Screws			1