

DAMA ISOLA

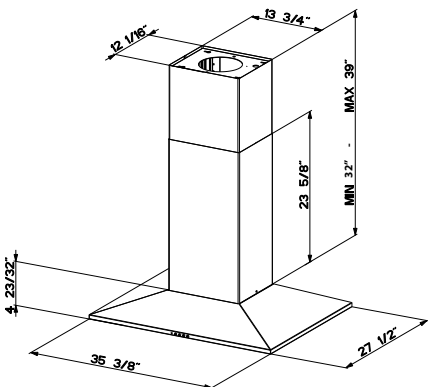
- DAMA ISOLA 36 Stainless 600 CFM Island Range Hood- **Model: DAMIS36SS**
- DAMA ISOLA 36 Stainless 300 CFM Island Range Hood- **Model: DAMIS36SS300**



- 600 OR 300 cfm**
- Electronic touch w/ LED**
- 4 halogen**
- dishwasher safe mesh**
- 36"**
- 6" round**

SPEED	1	2	3	INT
CFM	270	390	500	600
W	290	330	390	410
dB(A)	55	61	66	71
SONES	2.8	4.3	6.0	7.5

Note: Wattage calculated using 600 cfm model



ACCESSORIES

Description	Model
High Ceiling Chimney Kit	HIGH2
Ductless Conversion Kit	DUCT2
Replacement Charcoal Filter	FILTER2
6" Make Up Air Kit	MUDAMPER6