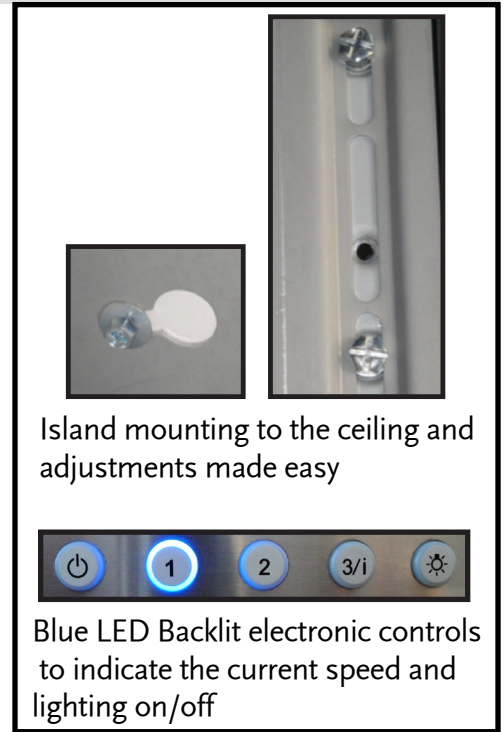


# Dama Isola Island Hood

A value alternative in island range hoods

**FABER**

ON AIR. SINCE 1955



Island mounting to the ceiling and adjustments made easy

Blue LED Backlit electronic controls to indicate the current speed and lighting on/off

Designed to offer a high-end look without the high-end price tag, the Dama Isola offers an island range hood for the price-conscious consumer. Traditional styling, designer features, and solid performance make the Dama Isola a great value in island ventilation.

Model #	Size   Color	Performance Range	Sound Levels
DAMIS36SS	36 x 27 SS (600 cfm)	160 - 600 CFM	3.5 - 6.5 sones
DAMIS36SS300	36 x 27 SS (300 cfm)	80 - 300 CFM	2.0 - 4.0 sones



## Feature Chart

Min. / Max. Ceiling Height	8' 3/4" - 9' 1 3/4"
Canopy Depth / Height	27 1/2" D / 4 11/16"H
High Ceiling Kit	Yes - up to 10' 10 3/4"
Convertible to Ductless / Recirculating	Yes - ductless kit needed
Controls	3 Speed Push w/ Blue LED
Lighting	4 X 20 (W) Halogen
Ducting Top	6" Round
Grease Filters	dishwasher safe mesh
Quick Island Mounting	Yes
10 Minute Intensive Speed	Yes
AC Input	120 V - 60 hz
AC Power 600 / 300 cfm	Max 410 at 3.5 A / 230 W at 2.0 A
<b>Annual Electricity Costs (600 / 300 cfm)</b>	<b>\$7.05 / \$4.18 / Year *</b>

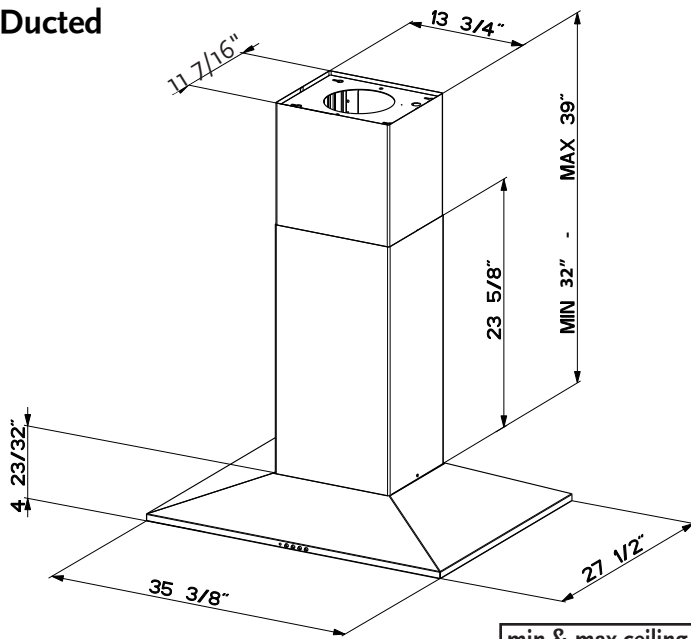
\* Note – ran 30 minutes a day on low speed, 365 days, using the North American average of 12.2 cents per kWh.

p.o. box 435 • Wayland, MA 01778 • tel: (508) 358-5353 • fax: (508) 358-5730 • e-mail: info@faberonline.com • www.faberonline.com

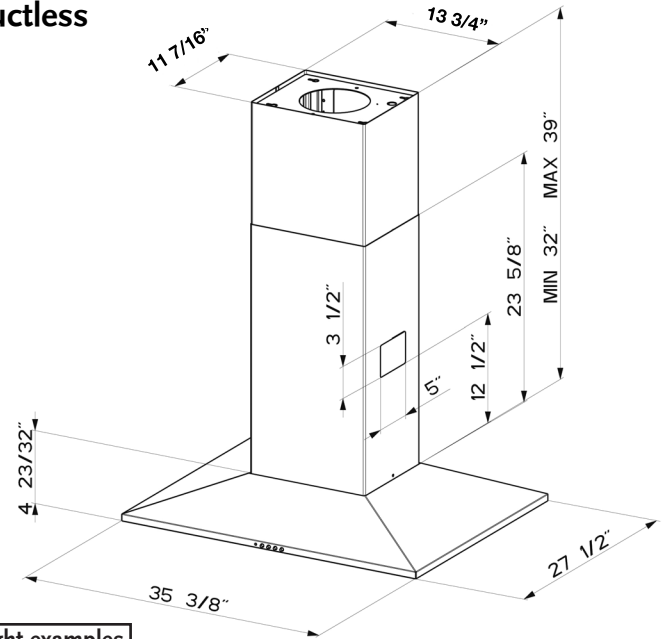
## Dimensional Diagrams

(see installation instructions for more information)

**Ducted**



**Ductless**



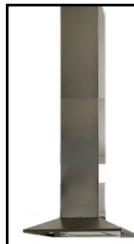
min & max ceiling height examples  
x = range hood height above cook top

x = 24"	x = 30"
<u>min</u>	<u>min</u>
8' 3/4"	8' 6 3/4"
<u>max</u>	<u>max</u>
8' 7 3/4"	9' 1 3/4"

## ACCESSORIES

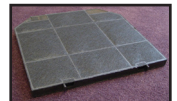
**High Ceiling Chimney Kit # HIGH2**

Extends the island chimney for high ceilings



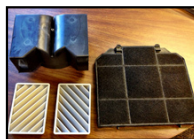
**Replacement Charcoal Filter # FILTER2**

For ductless installations, high quality, heavy duty filters ensure the removal of smoke and odors from the kitchen.



**Ductless Conversion Kit # DUCT2**

Includes: • Lower Chimney with holes for ducting • Ductless Diverter Assembly • Vent Grates • Charcoal Filter



**WARNING!** Product specifications are subject to change without notification. Consult the installation instructions before you begin installing this rangehood.