

Fortezza Isola

Professional Collection

a stylish pro island range hood

- island canopy rangehood
- elegant styling
- 600 cfm PRO motor 42"
- 1,200 cfm PRO motor 48"
- 4 halogen lights with dimmer
- 3 speed slide control
- stainless steel baffle filters
- auto on feature
- 6" round duct for 42"
- 2 - 6" round ducts for 48"
- High ceiling chimney kit



Size/Color/Model

42 Stainless	FORTIS42SS
48 Stainless	FORTIS48SS

The Fortezza Isola professional style island range hood will handle all the cooking contaminants that you throw at it. Island pro cooking will match up perfectly with the Fortezza Isola.

a
c
c
e
s
s
o
r
i
e
s

High Ceiling Chimney Kit

Extends the island chimney for high ceilings

Stainless HIGHFORTIS

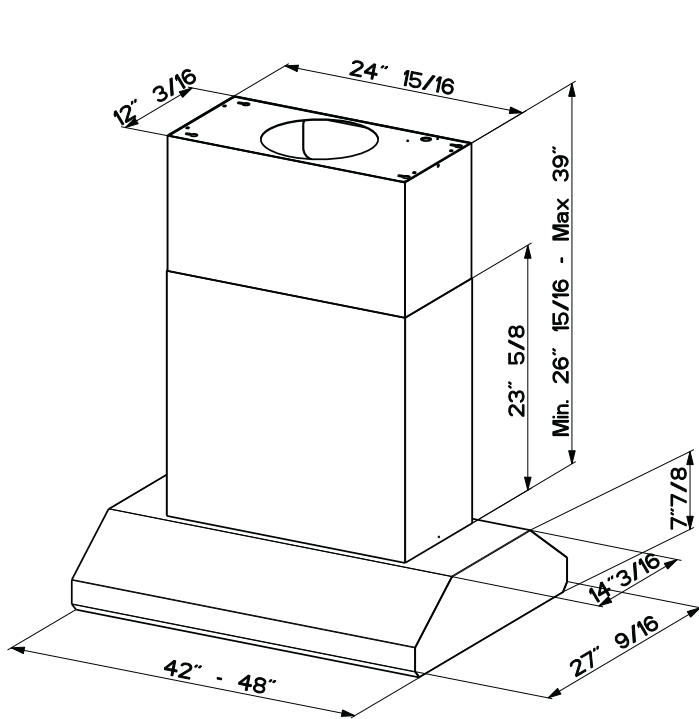
Duct Transition Kit

For 48" model only, transitions two 6" openings to one 10" round opening

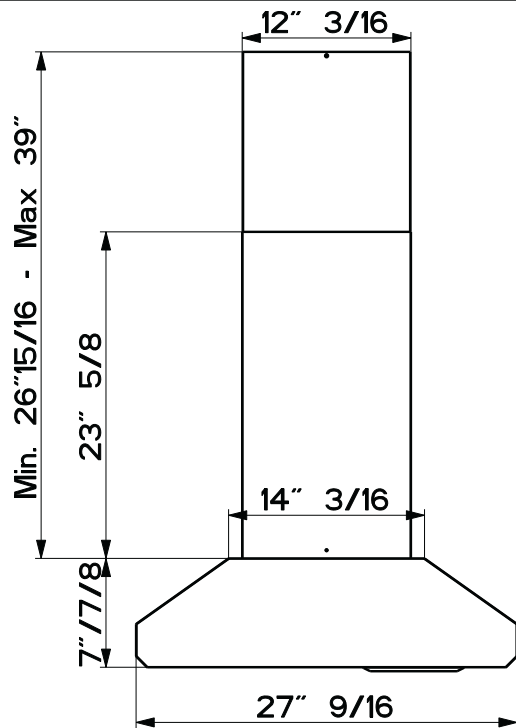
Galvanized Steel TRNSPRO



Dimensional Diagrams

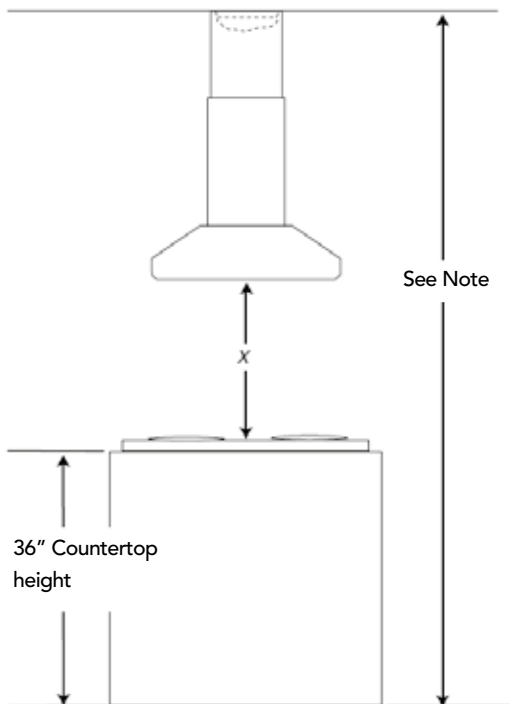


OVERALL DIMENSIONS



SIDE DIMENSIONS

Pre-Planning Your Installation - Important: Consult the installation instructions before you begin installing this rangehood.



NOTE: The hood chimneys are adjustable and designed to meet varying ceiling or soffit heights depending on the distance "X" between the bottom of the hood and the cooking surface. For higher ceilings an extension kit (Part Number HIGHFORTIS) is available, see your dealer. The chimney extension replaces the upper chimney shipped with the hood.

IMPORTANT:

Minimum distance "X": 30"

Suggested maximum distance "X": 36"

For vented installations, the chimneys can be adjusted for ceilings between 8' 4 1/4" and 9' 4 3/4".

Pre-Planning Your Ductwork - Important: Consult the installation instructions before you begin installing this rangehood.

Make your ductrun as straight and short as possible. The ductrun should not exceed 35 equivalent feet if ducted with the required minimum of 6" round ductwork (55 feet when using FORTIS48 with 1200 cfm and 10" round). Count 45° angles as 3 feet, 90° elbows as 5 feet, and 90° flat elbows as 12 feet. **For best results, use no more than three 90° elbows. Make sure that there is a minimum of 24" of straight duct between elbows if more than one is used. Do not install two elbows together. If you must elbow right away, do it as far away from the hood's exhaust opening as possible.**

WARNING! Product specifications are subject to change without notification. Consult the installation instructions before you begin installing this rangehood. **Rev.06/11**