

# Glassy

# Decorative Collection

a stunning value alternative in glass wall hoods

- o glass canopy wall rangehood
- o modern styling
- o 600 cfm
- o 2 halogen lights
- o ductless chimney out of the box
- o 3 speed LED electronic controls
- o 10 minute intensive speed setting
- o dishwasher safe grease filters
- o convertible to ductless  
**(KIT REQUIRED)**
- o adjustable mounting system
- o 6" round duct



Size   Color	Model #
30 Stainless	GLAS30SS
36 Stainless	GLAS36SS

## FABER

Designed to offer a high-end look without the high-end price tag, the Glassy offers a flat glass chimney style rangehood for the price conscious customer. Modern styling, standard features, and solid performance make the Glassy a great value in rangehoods.

### a High Ceiling Chimney Kit

c One 40" upper chimney to replace 16  
c 3/8" upper chimney that came with hood.  
e NOTE: You must duct the hood  
s outside to use the high ceiling kit

s Stainless HIGH1

### o Ductless Conversion Kit

r Includes: Ductless Diverter, bracket,  
i Charcoal Filters

e Stainless DUCT3

### CFM Reducer Kit

For use in makeair environments where an under 300 cfm hood is required. This kit reduces the ducting to 5" round and reduces the cfm to under 300

CFMRED

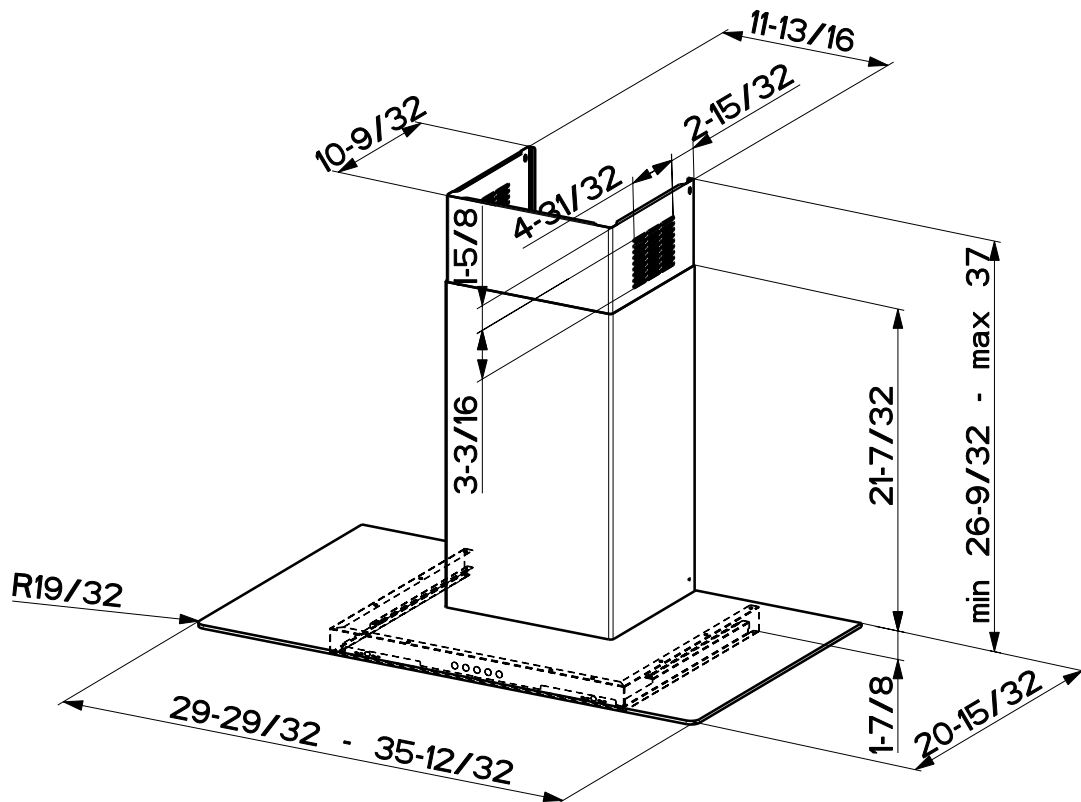


### Replacement Charcoal Filter

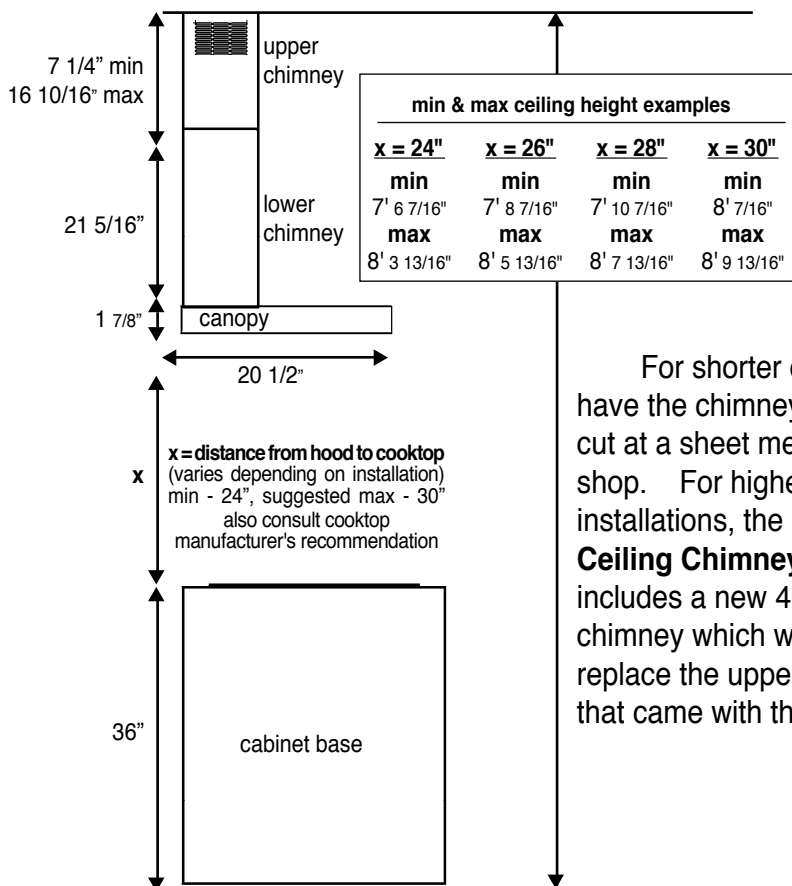
FILTER2



# Dimensional Diagrams & Electrical Knockouts



**Pre-Planning Your Installation** - Important: Consult the installation instructions before you begin installing this rangehood.



For shorter ceilings, have the chimney cover(s) cut at a sheet metal shop. For higher ceiling installations, the **High Ceiling Chimney Kit** includes a new 40" upper chimney which would replace the upper chimney that came with the hood.

Make your ductrun as straight and short as possible. The ductrun should not exceed 35 equivalent feet if ducted with the required minimum of 6" round duct. Count 45° angles as 3 feet, 90° elbows as 5 feet, and 90° flat elbows as 12 feet.

**For best results, use no more than three 90° elbows. Make sure that there is a minimum of 24" of straight duct between elbows if more than one is used. Do not install two elbows together. If you must elbow right away, do it as far away from the hood's exhaust opening as possible.**