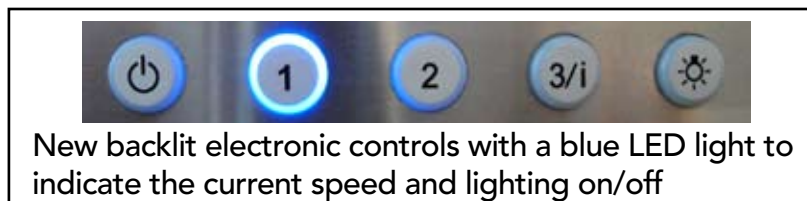


Glassy Isola

Decorative Collection

a stunning value alternative in glass island hoods

- island glass rangehood
- modern styling
- 600 cfm
- 4 halogen lights
- 3 speed LED electronic controls
- 10 minute intensive speed setting
- dishwasher safe grease filters
- convertible to ductless (KIT REQUIRED)
- adjustable mounting system
6" round duct



Size | Color

Model #

36 Stainless

GLASIS36SS

FABER

Designed to offer a high-end look without the high-end price tag, the Glassy Isola offers a flat glass chimney style island rangehood for the price conscious customer. Modern styling, standard features, and solid performance make the Glassy Isola a great value in island rangehoods.

a High Ceiling Chimney Kit

c One 40" upper chimney to replace 16 3/8" upper chimney that came with hood

c Stainless

HIGH2

e

s

s

o

r

i

e

s

Ductless Conversion Kit

Includes: Ductless Diverter, lower chimney with holes, vent grates, charcoal Filters

Stainless

DUCT2

CFM Reducer Kit

For use in make air up environments where an under 300 cfm hood is required. This kit reduces the ducting to 5" round and reduces the cfm to under 300

CFMRED

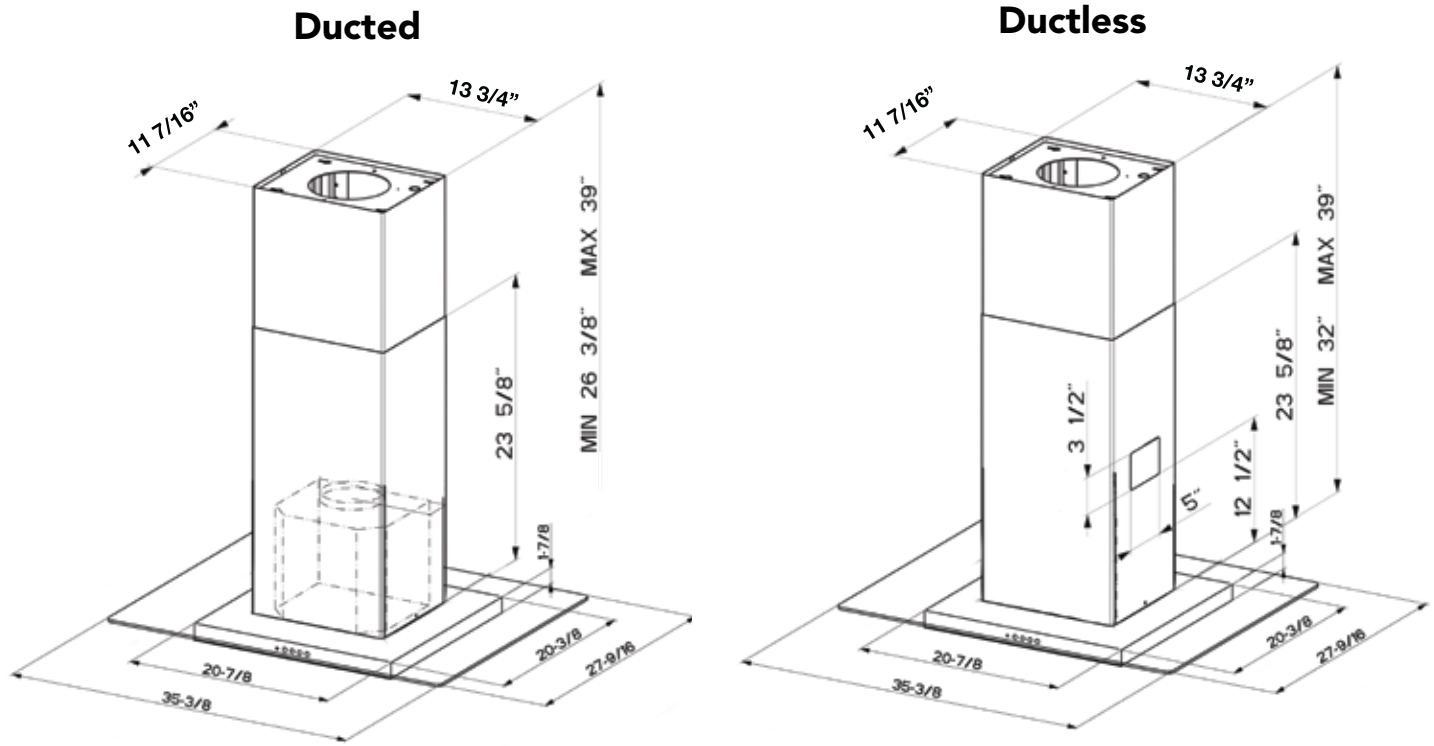


Replacement Charcoal Filter

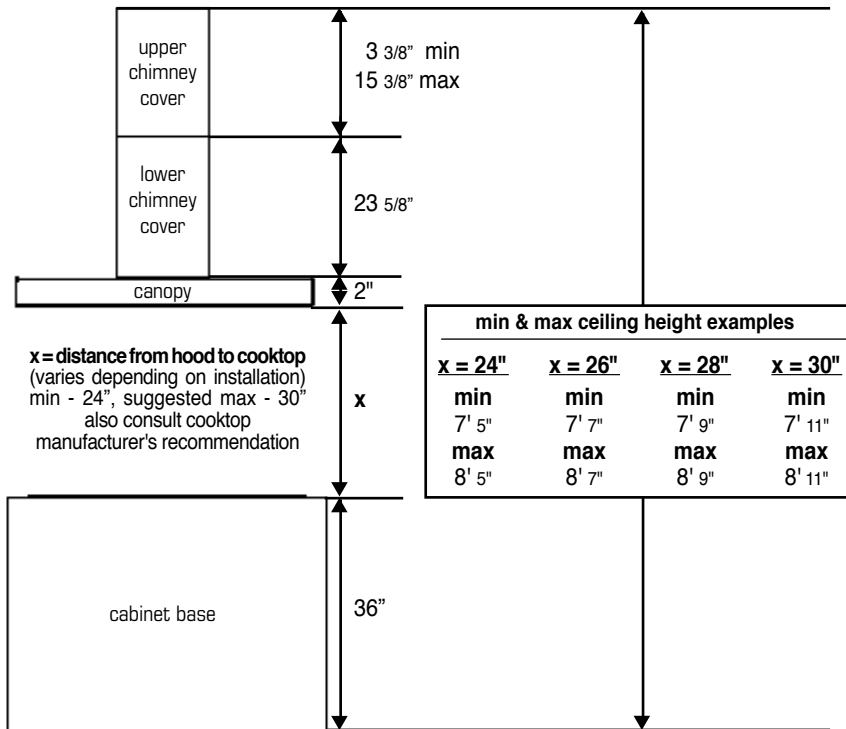
FILTER2



Dimensional Diagrams & Electrical Knockouts



Pre-Planning Your Installation - Important: Consult the installation instructions before you begin installing this rangehood.



Make your ductrun as straight and short as possible. The ductrun should not exceed 35 equivalent feet if ducted with the required minimum of 6" round duct. Count 45° angles as 3 feet, 90° elbows as 5 feet, and 90° flat elbows as 12 feet.

For best results, use no more than three 90° elbows. Make sure that there is a minimum of 24" of straight duct between elbows if more than one is used. Do not install two elbows together. If you must elbow right away, do it as far away from the hood's exhaust opening as possible.