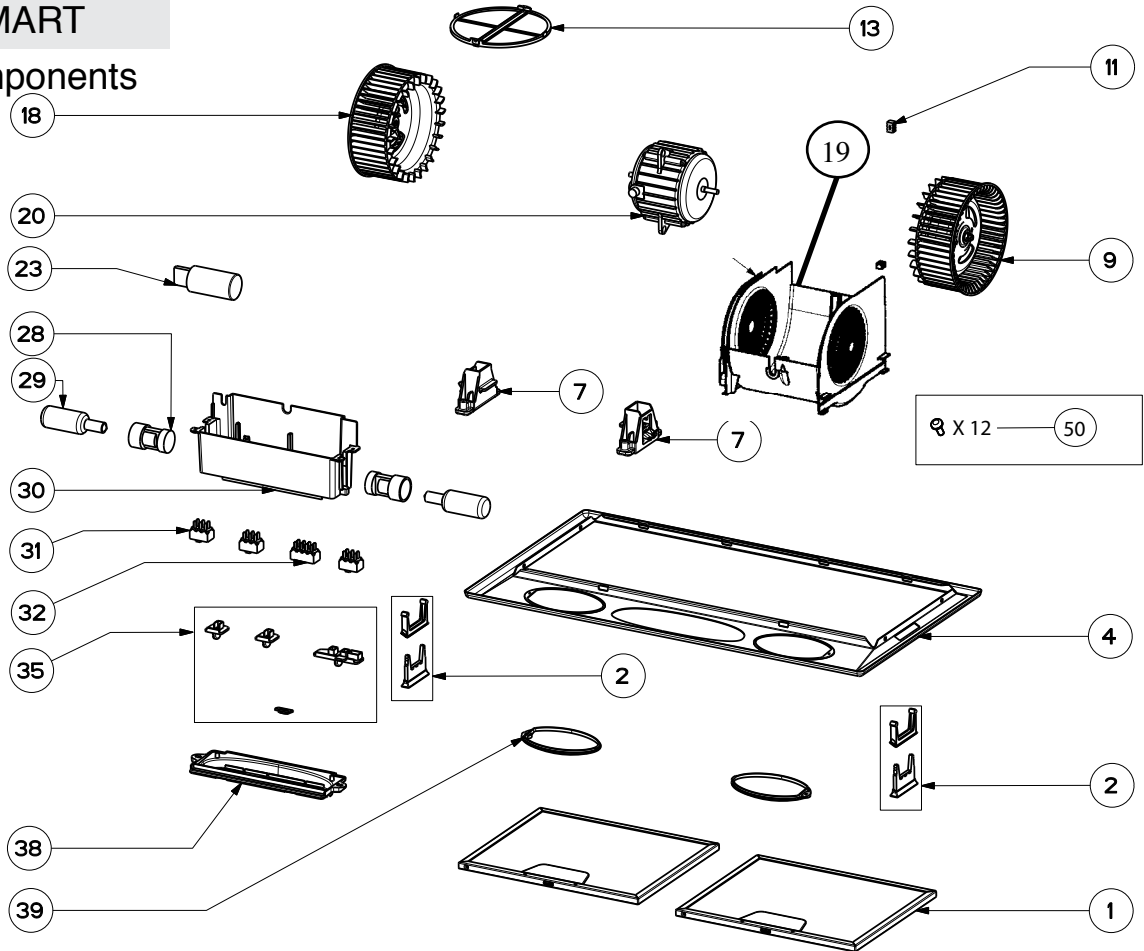


# INCA SMART

## body components



	Model Number	630006288	INSM28GR / 5974890	INSM24GR / 110.0154.587	
Key	Description	28 SS	28 Gray	24 Gray	Qty Req.
1	Grease filter	133.0064.533	133.0018.470	133.0017.055	2
2	Support latch kit	133.0064.071	133.0064.071	133.0064.071	2
4	Filter support frame	133.0065.579	133.0065.672	133.0018.350	1
7	Mounting bracket kit	133.0017.051	133.0017.051	133.0017.051	1
9	Right Impeller (DX)	133.0060.910	133.0060.910	133.0060.910	1
11	Motor rubber kit (5 in kit)	133.0016.966	133.0016.966	133.0016.966	1
13	Damper	133.0056.177	133.0056.177	133.0056.177	1
18	Left Impeller (SX)	133.0060.909	133.0060.909	133.0060.909	1
19	Blower motor Housing	133.0016.931	133.0016.931	133.0016.931	1
20	Motor	133.0064.543	133.0064.543	133.0064.543	1
23	Capacitor	133.0060.508	133.0060.508	133.0060.508	1
28	Lamp holder	133.0065.761	133.0065.761	133.0065.761	2
30	Switch support box	133.0064.526	133.0064.526	133.0064.526	1
31	On / Off Switch	133.0054.536	133.0054.536	133.0054.536	2
32	Motor Speed button	133.0054.538	133.0054.538	133.0054.538	1
35	Button kit	133.0064.075	133.0064.075	133.0064.075	1
38	Switch box cover panel	133.0064.078	133.0064.078	133.0064.078	1
39	Light diffuser	133.0058.595	133.0058.595	133.0058.595	1
50	Mounting Kit Screws Inca	133.0084.481	133.0084.481	133.0084.481	1