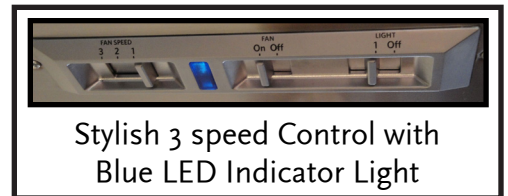


Maestrale Wall Hood

A stylish professional kitchen wall range hood

FABER

ON AIR. SINCE 1955



Stylish 3 speed Control with Blue LED Indicator Light

The Maestrale range hood from Faber is a professional hood with a sense of style. With top or direct rear venting and multiple chimney options makes the Maestrale the most versatile and easy to install Pro hood on the market.

Model #	Size Color	Performance Range	Sound Levels
MAES30SS	30 Stainless	200 - 600 CFM	3.5 - 6.5 sones
MAES36SS	36 Stainless	200 - 600 CFM	3.5 - 6.5 sones
MAES42SS	42 Stainless	200 - 600 CFM	3.5 - 6.5 sones
MAES48SS	48 Stainless	400 -1,200 CFM	5.0 - 12.0 sones



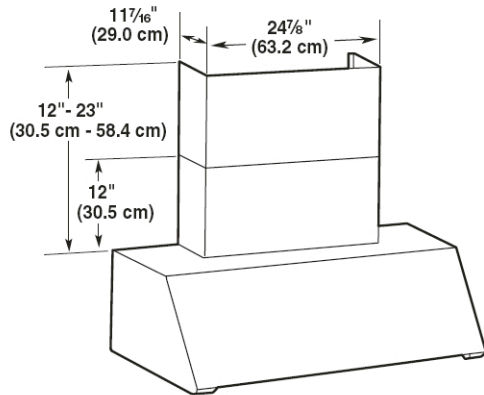
Feature Chart

Min. / Max. Ceiling Height	N/A
Canopy Depth / Height	25" D / 18" H
Controls	3 speed slider with blue LED backlight
Lighting	3 (30, 36, 42") OR 4 (48") X 20 (W) Halogen
Ducting Top	6" Round or (2) - 6" Round on 48"
Ducting Direct Rear Venting	6" Round or (2) - 6" Round on 48"
Grease Filters	dishwasher safe baffle filters
Pro Motor with Metal Impellers	Yes
AC Input	120 V - 60 hz
AC Power	Max 510 W at 4.3 A (30, 36, 42") Max 720 W at 7.7 A (48")
Annual Electricity Costs	\$5.73 / Year * (30, 36, 42")

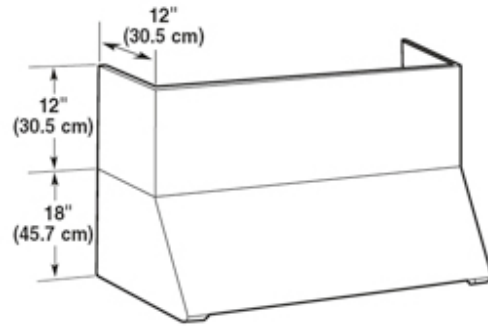
* Note – ran 30 minutes a day on low speed with the lights on, 365 days, using the North American average of 12.2 cents per kWh.
p.o. box 435 • Wayland, MA 01778 • tel: (508) 358-5353 • fax: (508) 358-5730 • e-mail: info@faberonline.com • www.faberonline.com

Dimensional Diagrams

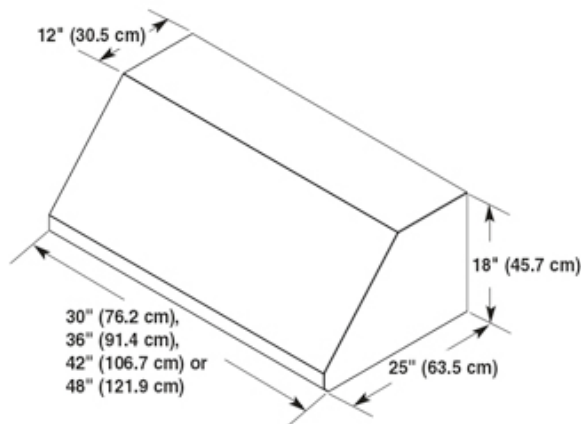
(see installation instructions for more information)



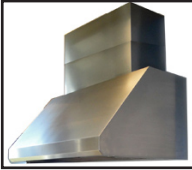

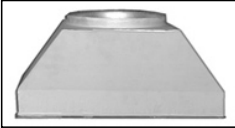

WITH TELESCOPIC CHIMNEY KIT



WITH FULL WIDTH DUCT COVER



ACCESSORIES

<p>Telescopic Chimney Cover 24" wide, extends to accommodate 8 - 9 foot ceilings</p>	<p># TELEMAES</p>	
<p>Full Width Duct Cover 12" high, extends full width of the hood</p>	<p>30" - # FULL30 36" - # FULL36 42" - # FULL42 48" - # FULL48</p>	
<p>Duct Transition Kit For 48" model only, transitions two 6" openings to one 10" round opening</p>	<p># TRNSPRO</p>	
<p>CFM Reducer Kit For use in make up air environments where an under 300 cfm hood is required. This kit reduces the ducting to 5" round and reduces the cfm to under 300. NOT FOR USE WITH 48" size hood</p>	<p># CFMRED</p>	



WARNING! Product specifications are subject to change without notification. Consult the installation instructions before you begin installing this rangehood.