

Matrix

The art of ventilation

Designer Collection

LUXURY STYLING

- stainless steel ventilation panel
- design, impeccable fit & finish
- curved 3 halogen bulb stainless light fixture
- hidden dishwasher-safe grease filters
- Easy Dismounting™ System

HIGH PERFORMANCE TECHNOLOGY

- Comfort-Panel™ perimetric suction system
- 600 cfm internal PRO™ blower model
- pre-installed Silent Kit™ sound-proofing
- whisper-quiet sone range

STATE OF THE ART CONTROLS

- operated by remote control (included)
- or by push-button electronic controls on panel
- 4 pre-set speeds plus Intensive Power Boost
- 24-hour kitchen anti-pollution mode
- 30 minute delayed shut-down mode
- grease filter saturation indicator
- NEW controls with LED read out
- 2 level lighting (NEW)

DUCTING OPTIONS

- top venting requires a cabinet or additional chimney
- rear venting w/chimney adapter 6" round
- convertible to ductless with ductless vent grate



Size | Color

36 x 30 Stainless

Model #

MATR36SS

ACCESSORIES

Charcoal Filters

FILTER1

For recirculating installations, high quality, heavy duty filters ensure the removal of smoke and odors from the kitchen. Some ductwork is required to exhaust the unit out of the cabinet.



FABER



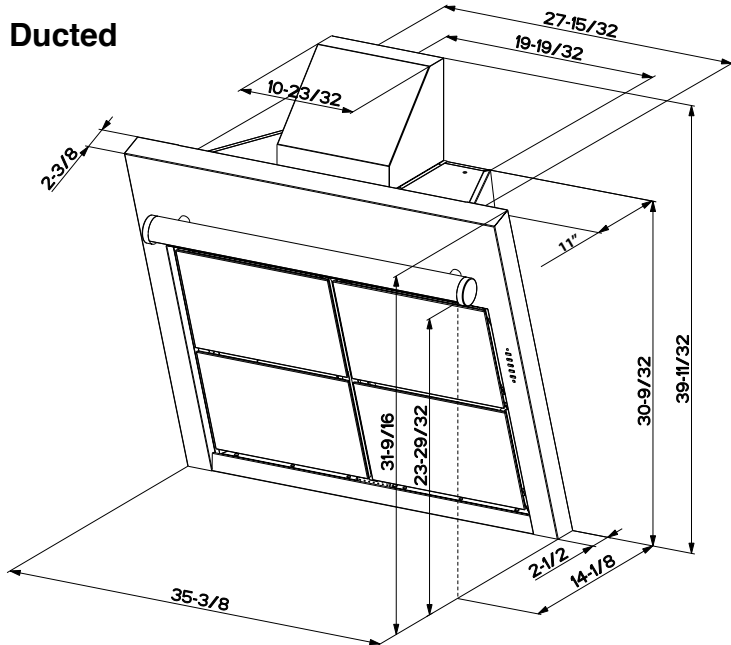
Faber has redefined the rangehood with the new Matrix, a patented stainless steel ventilation panel that hangs on the wall behind the cooking surface.

Remote Control Included

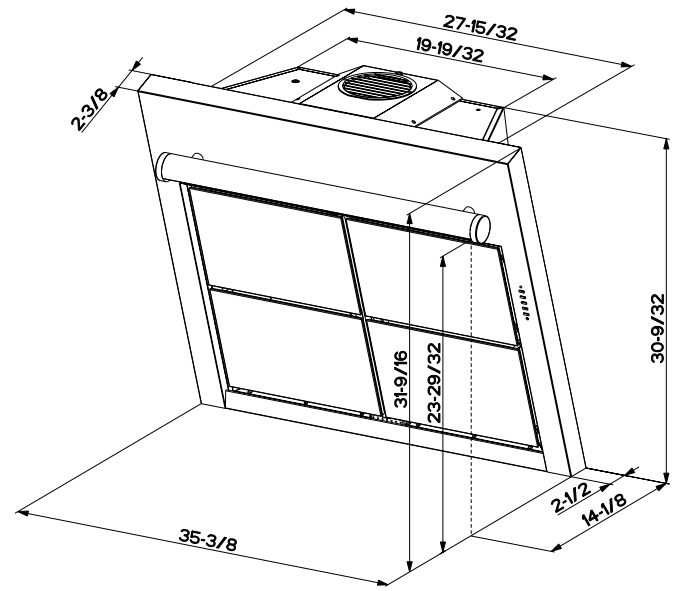


Dimensional Diagrams

Ducted



Ductless



Pre-Planning Your Installation - Important: Consult the installation instructions before you begin installing this rangehood.

Make your ductrun as straight and short as possible. The ductrun should not exceed 35 equivalent feet if ducted with the required minimum of 6" round duct. Count 45° angles as 3 feet, 90° elbows as 5 feet, and 90° flat elbows as 12 feet.

For best results, use no more than three 90° elbows. Make sure that there is a minimum of 24" of straight duct between elbows if more than one is used. Do not install two elbows together. If you must elbow right away, do it as far away from the hood's exhaust opening as possible.

Ductless Installations*

For installations where ductwork is impossible or highly impractical, a **Charcoal Filter Kit** is available. A charcoal filter, which attaches under the blower assembly, absorbs smoke and odors.

*** it is highly recommended that professional style cooking always be vented to the outside.**