

Stilo Wall Range Hood

A European styled canopy in kitchen range hoods



ON AIR. SINCE 1955



LED DISPLAY WITH ELECTRONIC TOUCH CONTROLS, 2 LEVEL LIGHTING, 30 MINUTE AUTO SHUT OFF, AND 10 MINUTE INTENSIVE SPEED

The Stilo features a streamlined shape combined with traditional styling making the range hood a stunning alternative in canopy ventilation. With advanced LED controls and luxury features, the Stilo delivers.

Model #	Size Color	Performance Range	Sound Levels
STIL24SS	24 Stainless	160 - 600 CFM	3.5 - 6.5 sones
STIL30SS	30 Stainless	160 - 600 CFM	3.5 - 6.5 sones
STIL36SS	36 Stainless	160 - 600 CFM	3.5 - 6.5 sones
STIL48SS	48 Stainless	160 - 600 CFM	3.5 - 6.5 sones



Feature Chart

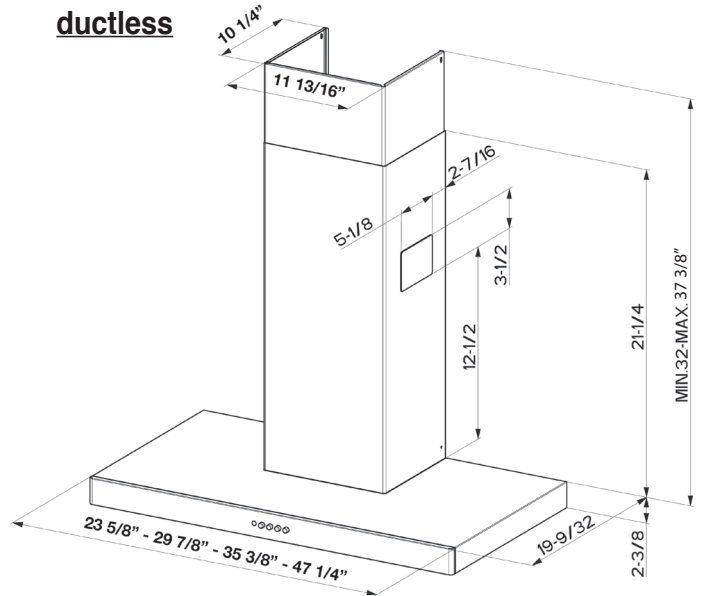
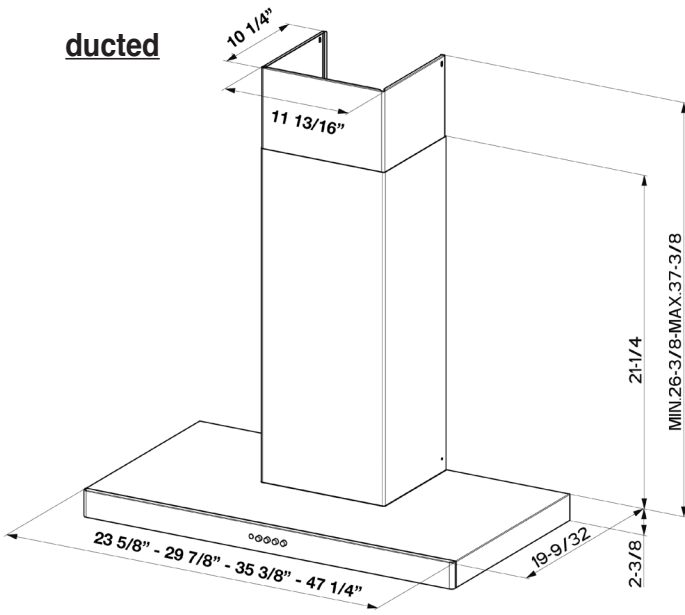
Min. / Max. Ceiling Height	7' 4 3/4" - 8' 9 3/4"
Canopy Depth / Height	19" D / 2 3/8" H
High Ceiling Kit	Yes - up to 10' 8 10/16"
Convertible to Ductless / Recirculating	Yes - ductless kit needed
Controls	3 speed LED digital control
Lighting	2 X 20 (W) Halogen + Dimmer
Ducting Top	6" Round
Grease Filters	dishwasher safe baffle filters
Easy Cube Mounting	Yes
Pro Motor with Metal Impellers	Yes
30 minute auto shut off	Yes
Silent Kit / 10 Minute Intensive Speed	Yes
AC Input / AC Power	120 V - 60 hz / Max 370 W at 3.1 A
Annual Electricity Costs	\$6.17 / Year *

* Note – ran 30 minutes a day on low speed with the lights on, 365 days, using the North American average of 12.2 cents per kWh.

p.o. box 435 • Wayland, MA 01778 • tel: (508) 358-5353 • fax: (508) 358-5730 • e-mail: info@faberonline.com • www.faberonline.com

Dimensional Diagrams

(see installation instructions for more information)



min & max ceiling height examples
x = range hood height above cook top

ducted		ductless	
x = 24"	x = 30"	x = 24"	x = 30"
min	min	min	min
7' 4 3/4"	7' 10 3/4"	7' 9 5/8"	8' 3 5/8"
max	max	max	max
8' 3 3/4"	8' 9 3/4"	8' 3 3/4"	8' 9 3/4"

For shorter ceilings, have the chimney cover(s) cut at a sheet metal shop. For higher ceiling installations, the High Ceiling Chimney Kit includes a new 39" upper chimney which would replace the 16 1/8" upper chimney that came with the hood.

ACCESSORIES

High Ceiling Chimney Kit # HIGH1

One 39" upper chimney to replace 16 1/8" upper chimney that came with hood



CFM Reducer Kit # CFMRED

For use in make up air environments where an under 300 cfm hood is required. This kit reduces the ducting to 5" round and reduces the cfm to under 300



Ductless Conversion Kit # DUCT1

Includes: • Lower Chimney with holes for ducting • Ductless Diverter Assembly • Vent Grates • Charcoal Filter



Replacement Charcoal Filter # FILTER2

For ductless installations, high quality, heavy duty filters ensure the removal of smoke and odors from the kitchen.

