

**UPDATED 2011 MODEL - 600 AND 300 CFM AVAILABLE**

# Tender

# Decorative Collection

traditionally styled value rangehood

- wall canopy rangehood
- sleek styling
- 600 or 300 cfm motor
- 2 halogen lights
- 3 speed LED electronic controls
- 10 minute intensive speed setting
- dishwasher safe grease filters
- convertible to ductless\*
- 6" round duct

\* it is highly recommended that professional style cooking always be vented to the outside.



## FABER

ON AIR. SINCE 1955

### Size/Color/Model #

#### 600 CFM models

30 Stainless (NEW) TEND30SS

36 Stainless (NEW) TEND36SS

#### 300 CFM models

30 Stainless (NEW) TEND30SS300

36 Stainless (NEW) TEND36SS300



*New backlit electronic controls with a blue LED light to indicate the current speed and lighting on / off*

### High Ceiling Chimney Kit

One 39" upper chimney to replace 21  
10/16" upper chimney that came with hood  
Stainless HIGHTNDR

### Ductless Conversion Kit

Includes: • Lower Chimney with holes for  
ducting • Ductless Diverter Assembly • Vent  
Grates • Charcoal Filter  
Stainless DUCTNDR

### Replacement Charcoal Filter

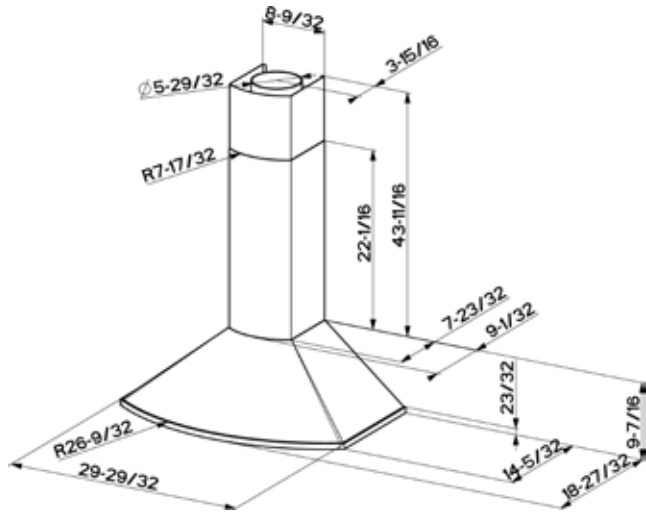
FILTER1



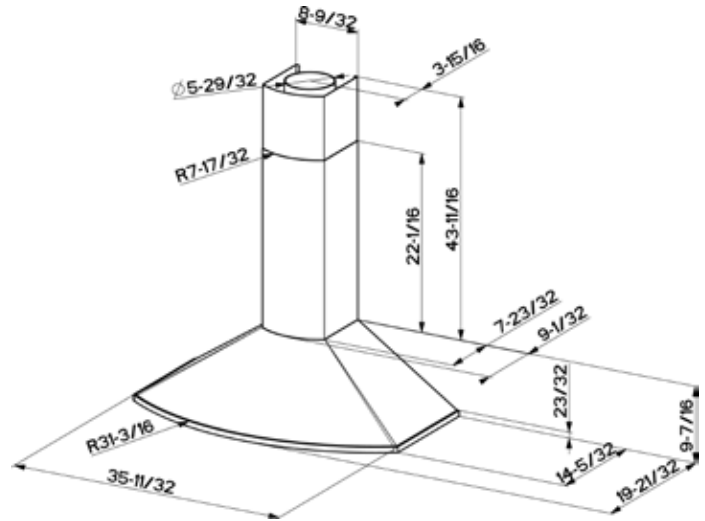
Designed to offer a high-end decorative look while taking into consideration great value. Traditional styling, new advanced electronic touch control features, and solid performance make the Tender a great choice in canopy rangehoods.

# Dimensional Diagrams

## 30" Ducted

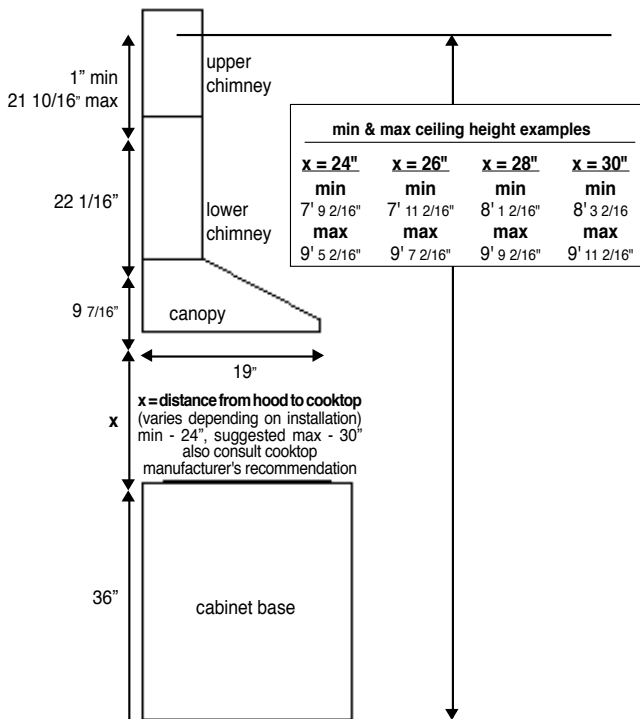


## 36" Ducted



**Pre-Planning Your Installation** - Important: Consult the installation instructions before you begin installing this rangehood.

### Ducted



For ducted installations the chimneys are adjustable and designed to meet varying ceiling heights between 7' 9 2/16" and 9' 11 2/16" depending on the distance between the bottom of the hood and the cooktop (distance x in the ducted diagram).

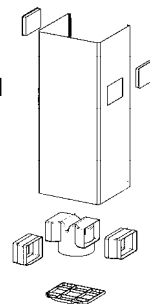
For shorter ceilings, have the chimney cover(s) cut at a sheet metal shop. For higher ceiling installations, the **High Ceiling Chimney Kit** includes a new 39" upper chimney which would replace the 21 10/16" upper chimney that came with the hood.

Note: If 24" or 30" **High Backsplash** is being installed, the distance between the bottom of the hood and the cooktop (distance x in diagram) is equal to the height of the **Backsplash**.

**Pre-Planning Your Installation** - Important: Consult the installation instructions before you begin installing this rangehood.

Make your ductrun as straight and short as possible. The ductrun should not exceed 35 equivalent feet if ducted with the required minimum of 6" round duct. Count 45° angles as 3 feet, 90° elbows as 5 feet, and 90° flat elbows as 12 feet.

**For best results, use no more than three 90° elbows. Make sure that there is a minimum of 24" of straight duct between elbows if more than one is used. Do not install two elbows together. If you must elbow right away, do it as far away from the hood's exhaust opening as possible.**



### Ductless Installations\*

For installations where ductwork is impossible or highly impractical, a **Ductless Conversion Kit** is available. A charcoal filter, which attaches under the blower assembly, absorbs smoke and odors. A ductless diverter assembly directs the air out to a lower chimney with vent grates cut into the sides.

**\* it is highly recommended that professional style cooking always be vented to the outside.**

**WARNING!** Product specifications are subject to change without notification. Consult the installation instructions before you begin installing this rangehood.