

TRATTO

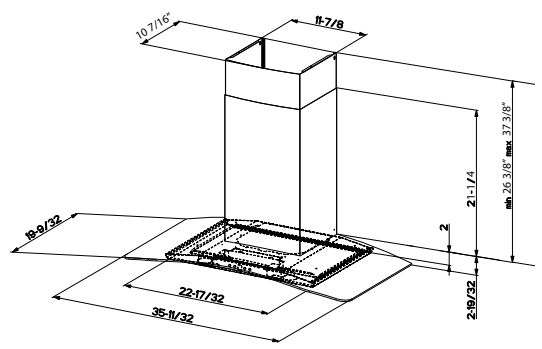
- TRATTO 36 Glass & Stainless Wall Range Hood - **Model: TRAT36SS**



- ENERGY
- SILENT KIT
- EASY CUBE
- SPEED
- DELAY 30'
- COMFORT LIGHT

- 600 cfm**
- Electronic touch with LED**
- 2 halogen, two level**
- dishwasher safe ss mesh**
- 36"**
- 6" round**

	1	2	3	INT
SPEED				
CFM	270	390	500	600
W	250	290	350	370
dB(A)	55	61	66	71
SONES	2.8	4.3	6.0	7.5



ACCESSORIES

Description	Model
High Ceiling Kit	HIGHTRAT
Ductless Conversion Kit	DUCTTRAT
Replacement Charcoal Filter	FILTER2
CFM Reducer Kit	CFMRED
6" Make Up Air Kit	MUDAMPER6