

# Tratto Wall Range Hood



ON AIR. SINCE 1955

An elegant glass arc canopy kitchen range hood



The Tratto features a streamlined curved glass canopy making the range hood a stunning alternative in canopy ventilation. With advanced LED controls and luxury features, the Tratto delivers.

Model #	Size   Color	Performance Range	Sound Levels
TRAT36SS	36 Stainless	160 - 600 CFM	3.5 - 6.5 sones



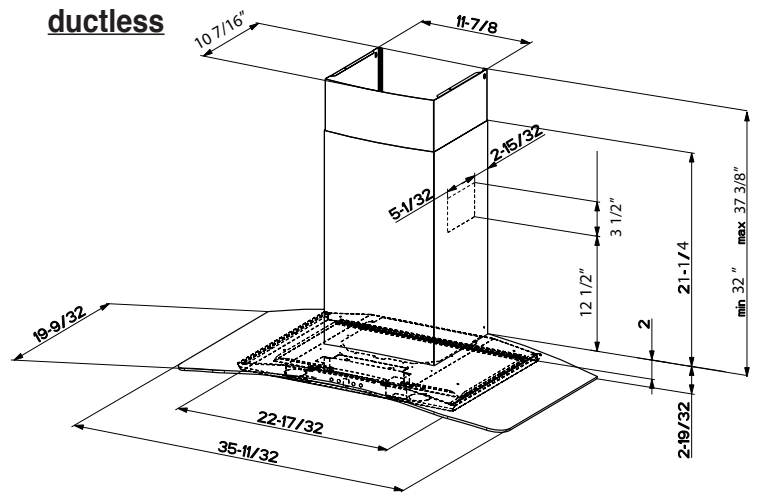
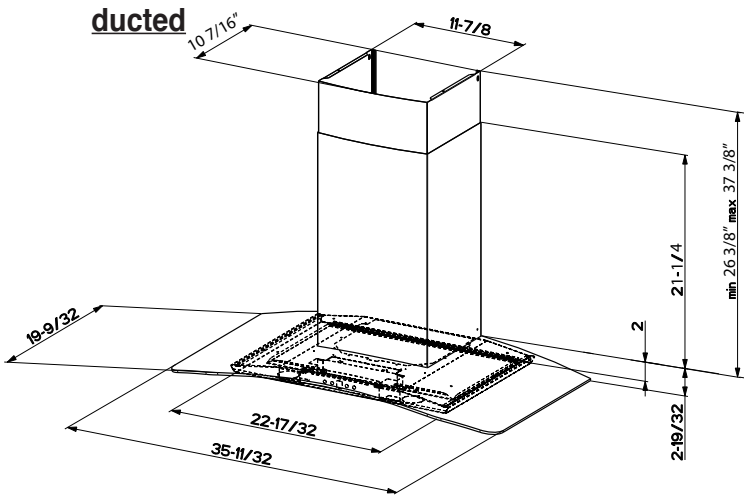
## Feature Chart

Min. / Max. Ceiling Height	7' 4 3/8" - 8' 9 3/8"
Canopy Depth / Height	19" D / 2" H
High Ceiling Kit	Yes - up to 10' 8 1/4"
Convertible to Ductless / Recirculating	Yes - ductless kit needed
Controls	3 speed LED digital control
Lighting	2 X 20 (W) Halogen + Dimmer
Ducting Top	6" Round
Grease Filters	dishwasher safe baffle filters
Easy Cube Mounting	Yes
30 minute auto shut off	Yes
Silent Kit / 10 Minute Intensive Speed	Yes
AC Input / AC Power	120 V - 60 hz / Max 370 W at 3.1 A
<b>Annual Electricity Costs</b>	<b>\$6.17 / Year *</b>

\* Note – ran 30 minutes a day on low speed with the lights on, 365 days, using the North American average of 12.2 cents per kWh.  
 p.o. box 435 • Wayland, MA 01778 • tel: (508) 358-5353 • fax: (508) 358-5730 • e-mail: info@faberonline.com • www.faberonline.com

## Dimensional Diagrams





(see installation instructions for more information)



min & max ceiling height examples			
x = range hood height above cook top			
ducted		ductless	
<b>x = 24"</b>	<b>x = 30"</b>	<b>x = 24"</b>	<b>x = 30"</b>
<b>min</b>	<b>min</b>	<b>min</b>	<b>min</b>
7' 4 3/8"	7' 10 3/8"	7' 9 1/4"	8' 3 1/4"
<b>max</b>	<b>max</b>	<b>max</b>	<b>max</b>
8' 3 3/8"	8' 9 3/8"	8' 3 3/8"	8' 9 3/8"

For shorter ceilings, have the chimney cover(s) cut at a sheet metal shop. For higher ceiling installations, the High Ceiling Chimney Kit includes a new 39" upper chimney which would replace the 16 1/8" upper chimney that came with the hood.

## ACCESSORIES

<p><b>High Ceiling Chimney Kit # HIGHTRAT</b> One 39" upper chimney to replace 16 1/8" upper chimney that came with hood</p> 	<p><b>CFM Reducer Kit # CFMRED</b> For use in make up air environments where an under 300 cfm hood is required. This kit reduces the ducting to 5" round and reduces the cfm to under 300</p> 
<p><b>Ductless Conversion Kit # DUCTTRAT</b> Includes: • Lower Chimney with holes for ducting • Ductless Diverter Assembly • Vent Grates • Charcoal Filter</p> 	<p><b>Replacement Charcoal Filter # FILTER2</b> For ductless installations, high quality, heavy duty filters ensure the removal of smoke and odors from the kitchen.</p> 



**WARNING!** Product specifications are subject to change without notification. Consult the installation instructions before you begin installing this rangehood.