

Tratto Isola

Designer Collection

an elegant island arc

- island canopy rangehood
- 600 cfm motor
- Silent Kit noise reduction
- 4 halogen lights with dimmer
- 3 speed LED push controls
- Auto shut off timer
- NEW stainless steel mesh filters
- convertible to ductless*
- Easy Cube mounting system
- sone range: 3.5 - 6.5
- 6" round duct
- Uses 25% less energy than previous model



* it is highly recommended that professional style cooking always be vented to the outside.



FABER

Glass and stainless combine for an elegant island arc.

Size/Color/Model

36 x 26 Stainless TRATIS36SS

a High Ceiling Chimney Kit

c Extends the island chimney for high ceilings
 c Stainless HIGH2

s Ductless Conversion Kit

s Includes: • Lower Chimney with holes for ducting • Ductless Diverter Assembly • Vent Grates • Charcoal Filter
 o Stainless DUCT2

s **Replacement Charcoal Filter** FILTER2

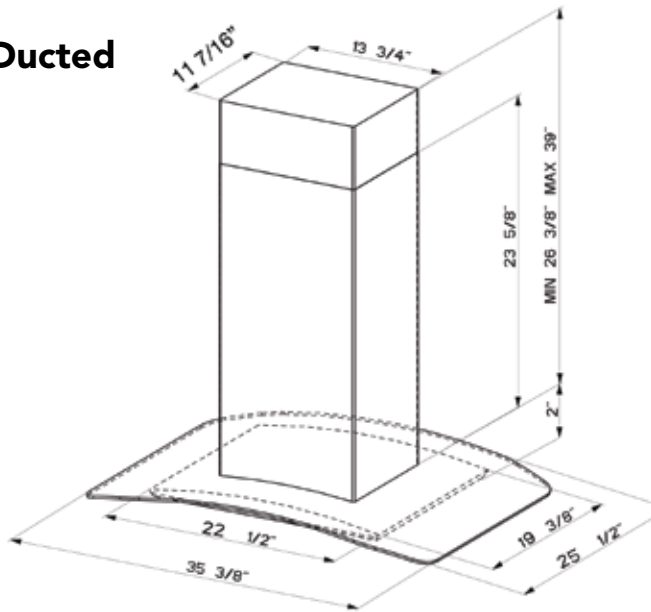


NEW CONTROLS - LED readout display

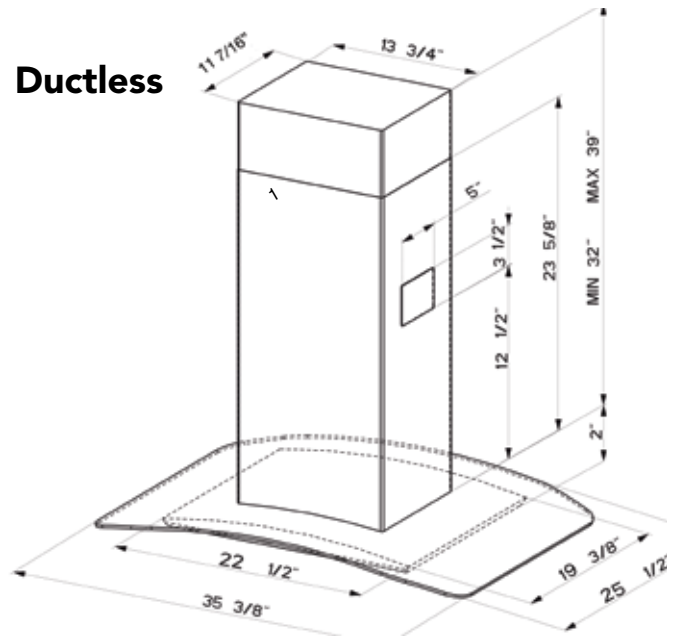
NOW WITH A NEW LED DISPLAY WITH ELECTRONIC TOUCH CONTROLS, 2 LEVEL LIGHTING, 30 MINUTE AUTO SHUT OFF, AND 10 MINUTE INTENSIVE SPEED CONTROL

Dimensional Diagrams

Ducted

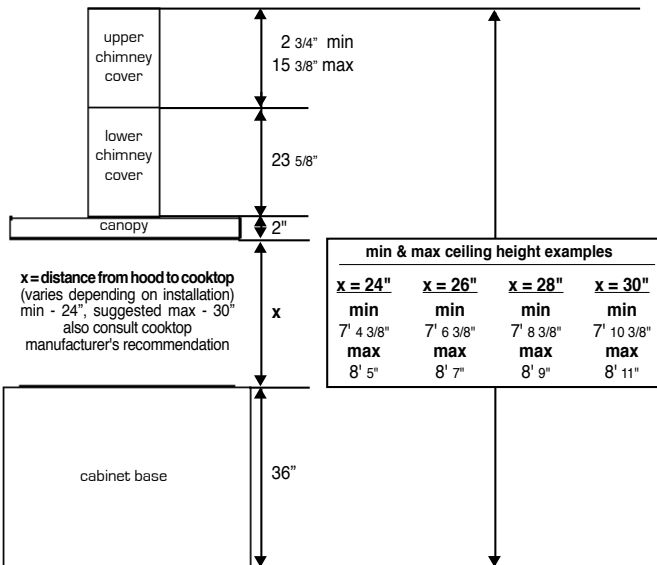


Ductless

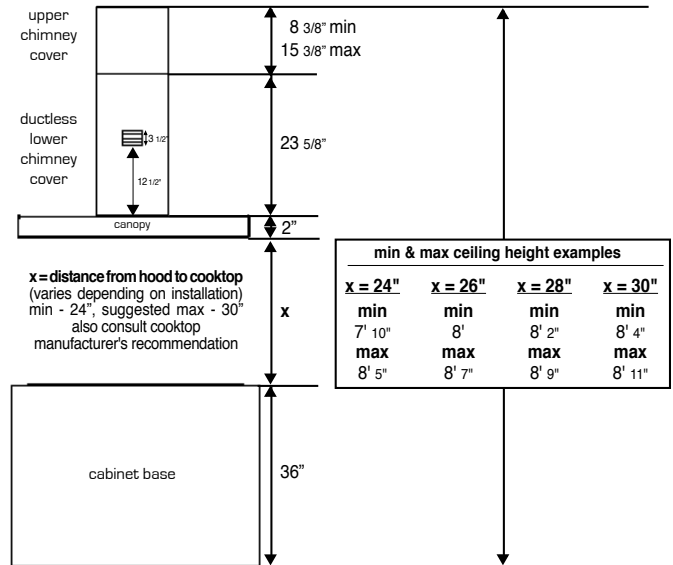


Pre-Planning Your Installation - Important: Consult the installation instructions before you begin installing this rangehood.

Ducted



Ductless



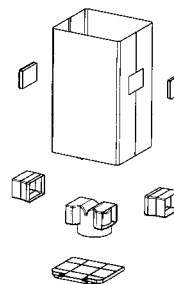
The ducted Tratto Isola chimney can be adjusted for ceilings between 7' 4 3/8" and 8' 11" depending on the distance between the bottom of the hood and the cooktop (distance x in above DUCTED diagram). The ductless Tratto Isola chimney can be adjusted for ceilings between 7' 10" and 8' 11" depending on the distance between the bottom of the hood and the cooktop (distance x in above DUCTLESS diagram). For higher ceiling installations, the **High Ceiling Chimney Kit** includes an additional support structure which adds 27 1/2" to the various ceiling heights in the figures above.

Pre-Planning Your Installation - Important: Consult the installation instructions before you begin installing this rangehood.

Make your ductrun as straight and short as possible. The ductrun should not exceed 35 equivalent feet if ducted with the required minimum of 6" round duct. Count 45° angles as 3 feet, 90° elbows as 5 feet, and 90° flat elbows as 12 feet.

For best results, use no more than three 90° elbows. Make sure that there is a minimum of 24" of straight duct between elbows if more than one is used. Do not install two elbows together. If you must elbow right away, do it as far away from the hood's exhaust opening as possible.

WARNING! Product specifications are subject to change without notification. Consult the installation instructions before you begin installing this rangehood.



Ductless Installations*

For installations where ductwork is impossible or highly impractical, a **Ductless Conversion Kit** is available. A charcoal filter, which attaches under the blower assembly, absorbs smoke and odors. A ductless diverter assembly directs the air out to a lower chimney with vent grates cut into the sides.

*** it is highly recommended that professional style cooking always be vented to the outside.**