

Velvet Slide Out Range Hood

FABER

ON AIR. SINCE 1955

Sleek under cabinet glass and stainless slide out hood



For a streamlined look in the kitchen, the Glass and Stainless Steel Velvet is the high end integrated solution. The Velvet has a sleek glass pull-out visor which slides in, flush with your cabinets, neatly tucking the hood away. The range hood turns on and off automatically when the visor is pulled in and out.

| Model # | Size Color | Performance Range | Sound Levels |
|----------|--------------|-------------------|-----------------|
| VELV30SS | 30 Stainless | 60 - 600 CFM | 0.5 - 5.0 sones |
| VELV36SS | 36 Stainless | 60 - 600 CFM | 0.5 - 5.0 sones |



Feature Chart

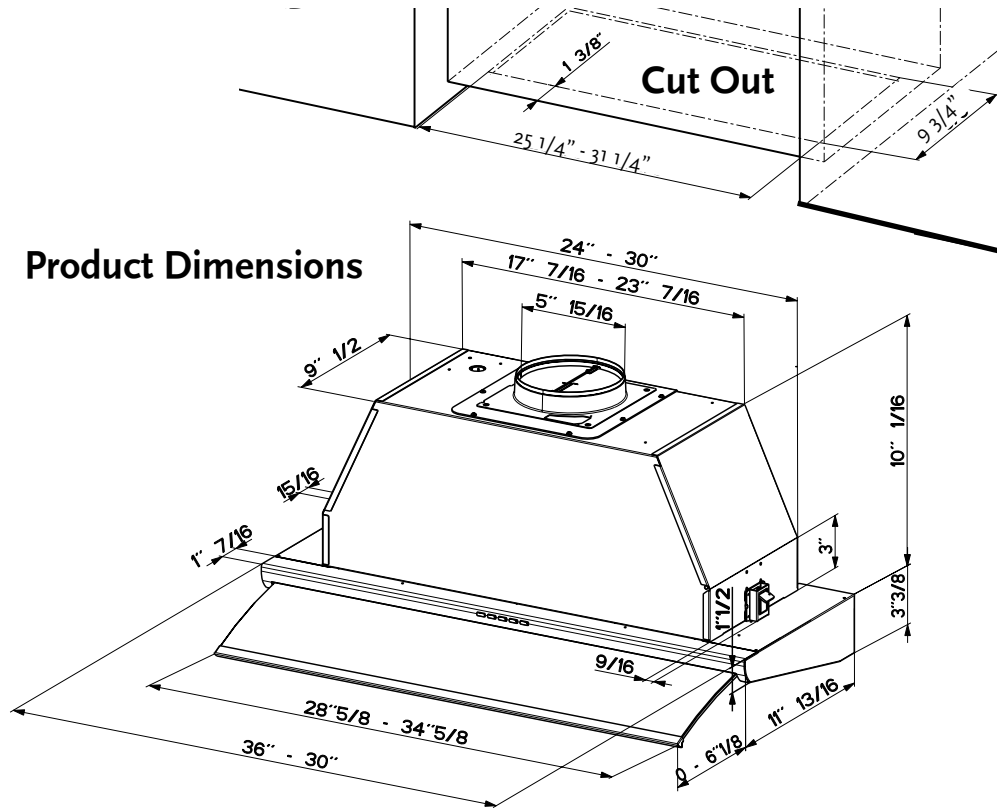
| | |
|--|--|
| Convertible to Recirculating | Yes - charcoal kit needed |
| Controls | 4 speed LED digital push button control |
| Lighting | 2 X 20 (W) Halogen + Dimmer |
| Ducting Top Vent | 6" Round |
| Ducting Direct Rear Vent | 6" Round |
| Grease Filters | dishwasher safe mesh |
| Auto On / Off | Yes - fan / lights turn on when pulled out |
| Pro Motor with Metal Impellers | Yes |
| Perimetric Suction System / Silent Kit | Yes |
| Grease Filter Wash Indicator | Yes |
| 10 Minute Intensive Speed | Yes |
| AC Input | 120 V - 60 hz |
| AC Power | Max 490 W at 4.1 A |
| Green Energy Saver Mode | Yes |
| Annual Electricity Costs | \$5.29 / Year ** |

* Note – ran 30 minutes a day on low speed with the lights on, 365 days, using the North American average of 12.2 cents per kWh.

p.o. box 435 • Wayland, MA 01778 • tel: (508) 358-5353 • fax: (508) 358-5730 • e-mail: info@faberonline.com • www.faberonline.com

Dimensional Diagrams

(see installation instructions for more information)



ACCESSORIES

Charcoal Filter # FILTER1

For recirculating installations, high quality, heavy duty filters ensure the removal of smoke and odors from the kitchen. Some ductwork is required to exhaust the unit out of the cabinet..



CFM Reducer Kit # CFMRED

Reduces CFM to under 300 cfm for makeup air environments



Universal Make-Up Air Damper

Satisfies current make-up air requirements, this kit uses an air switch above the hood to activate the make-up air damper to open and bring fresh air into the home whenever the hood fan is operating and then close tightly when the hood is off. The CFM level is not reduced by using this kit.

MUDAMPER6 / MUDAMPER8 (6") (8")

