

ZOOM UP/DOWN ICONIC RANGE HOOD



REDEFINING LUXURY AND RANGEHOOD TECHNOLOGY. The zoom is a chandelier style up and down motion range hood that will add elegance and luxury functionality to island installations. Use the Zoom cylinder by itself, the white glass OR stainless steel lamp shade with lighting or use your own custom shade. The lamp shade offers 6 LED ceiling lights wired to a separate on / off switch.



ZOOMIS16SS400-B shown



ZOOMMIL16SS400 with VANILLA-SH



ZOOMMIL16SS400 with OCEANA-SH

AVAILABLE MODELS

| model # | description | size / color | cfm | sones |
|-----------------|----------------------------------|--------------|-----|-----------|
| ZOOMIS16SS400-B | Zoom | 16" SS | 400 | 3.9 - 7.3 |
| ZOOMMIL16SS400* | Zoom with ceiling light fixture* | 16" SS* | 400 | 3.9 - 7.3 |

| * choose a shade | size / color* |
|------------------|---------------|
| VANILLA-SH | 21" WH |
| OCEANA-SH | 21" SS |

* Choose the Zoom Island Hood (ZOOMIS16SS400-B) by itself OR Zoom Island plus Ceiling Light Fixture (ZOOMMIL16SS400). Vanilla OR Oceana shades kits pair with the ZOOMMIL16SS400



ZOOMMIL16SS400 with CUSTOM SHADE

KEY FEATURES



4 LED Lights
Low consumption LED bulb to light up your cooking area but use very little energy.



Remote Control (included)
Control all features of the hood from the convenience of a wireless remote control



Charcoal Filter (included)
High quality charcoal filter to clean and recirculate the air



Up/Down Technology
The hood can be lowered and retracted easily with the included remote control.

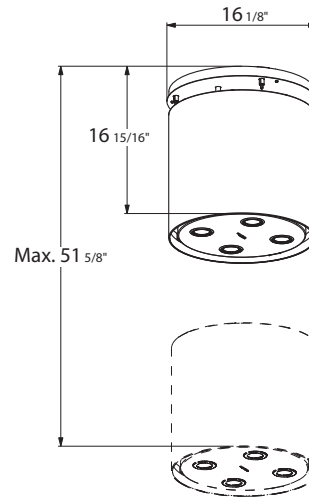
ZOOM UP/DOWN ICONIC RANGE HOOD

DIMENSIONS

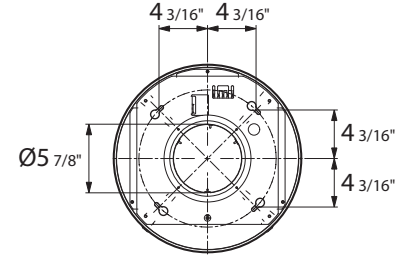
SPECIFICATIONS

| | |
|--------------------------------------|---------------------------------|
| Min. / Max ceiling height (IL) | 8' min - 9' max |
| Min. / Max ceiling height (IS) | 7' min - 9' max |
| Maximum Zoom movement | 34" |
| Zoom width height | 16 1/8" 16 5/16" |
| recirculation only (NON-DUCTED ONLY) | Yes - charcoal filters included |
| controls | 5 speed digital control |
| lighting (Zoom hood IS and IL) | 4 LED (1 Watt) - spot lights |
| lighting (Ceiling fixture IL) | 6 LED (1Watt) - spot lights |
| 24-hour antipollution mode | yes |
| 30 Minute delay auto shut off | yes |
| Perimetric filter system | yes |
| 10 Minute Intensive speed | yes |
| grease filters | dishwasher safe mesh |
| ADA compliant | yes - remote control included |
| AC power | 350 watts / 2.9 amps |

ZOOMIS16SS400-B



ZOOMIS16SS400-B Top Diagram
ZOOMIL16SS400

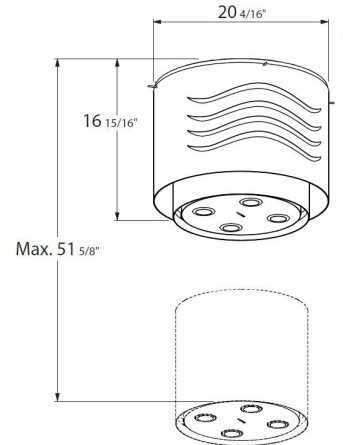


PERFORMANCE

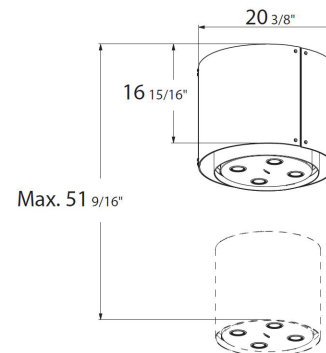
| SPEED | 1 | 2 | 3 | BOOST |
|-------|-----|-----|-----|-------|
| CFM | 150 | 250 | 350 | 390 |
| Sones | 3.9 | 5.0 | 6.0 | 7.3 |

IMPORTANT NOTE: Custom designed shades must be at least 16 15/16" high x 20 1/4" wide. Shade materials must be made of ***non-combustable*** materials.

ZOOMIL16SS400 with Oceana Shade



ZOOMIL16SS400 with Vanilla Shade



ACCESSORIES

FILTER1 –

Charcoal Filter Kit

High quality charcoal filter for use when recirculating the air back into the kitchen. Filters out odor and should be replaced every 6 months.

FILTER1LL –

Long Lasting Charcoal Filter Kit

New washable charcoal filter can be recharged and washed up to 8 times. For use when recirculating the air back into the kitchen. Filters out odor and can last up to 4 years



WARNING! Product specifications are subject to change without notification. Consult the installation instructions before you begin installing this range hood



Imagined in Italy