

# ZOOM UP/DOWN ICONIC RANGE HOOD

**REDEFINING LUXURY AND RANGEHOOD TECHNOLOGY.** The zoom is a chandelier style up and down motion range hood that will add elegance and luxury functionality to island installations. Use the Zoom cylinder by itself, the white glass OR stainless steel lamp shade with lighting or use your own custom shade. The lamp shade offers 6 LED ceiling lights wired to a separate on / off switch.



ZOOMIS16SS400-B shown



ZOOMMIL16SS400 with VANILLA-SH

ZOOMMIL16SS400 with OCEANA-SH

## AVAILABLE MODELS

model #	description	size / color	cfm	sones
ZOOMIS16SS400-B	Zoom	16" SS	400	3.9 - 7.3
ZOOMMIL16SS400*	Zoom with ceiling light fixture*	16" SS*	400	3.9 - 7.3

* choose a shade	size / color*
VANILLA-SH	21" WH
OCEANA-SH	21" SS

\* Choose the Zoom Island Hood (ZOOMIS16SS400-B) by itself OR Zoom Island plus Ceiling Light Fixture (ZOOMMIL16SS400). Vanilla OR Oceana shades kits pair with the ZOOMMIL16SS400



ZOOMMIL16SS400 with CUSTOM SHADE

## KEY FEATURES



**4 LED Lights**  
Low consumption LED bulb to light up your cooking area but use very little energy.



**Remote Control (included)**  
Control all features of the hood from the convenience of a wireless remote control



**Charcoal Filter (included)**  
High quality charcoal filter to clean and recirculate the air



**Up/Down Technology**  
The hood can be lowered and retracted easily with the included remote control.

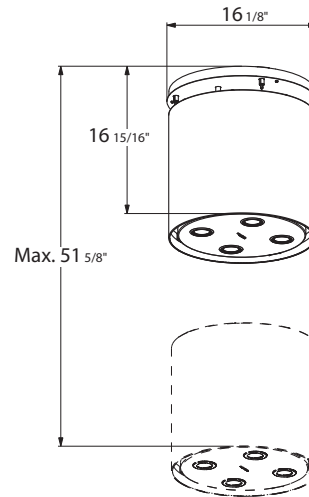
# ZOOM UP/DOWN ICONIC RANGE HOOD

## DIMENSIONS

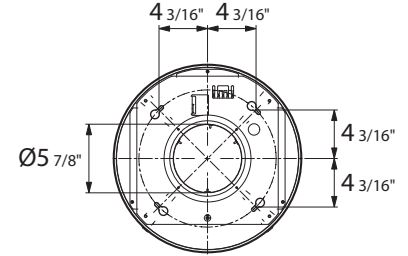
### SPECIFICATIONS

Min. / Max ceiling height (IL)	8' min - 9' max
Min. / Max ceiling height (IS)	7' min - 9' max
Maximum Zoom movement	34"
Zoom width   height	16 1/8"   16 5/16"
recirculation only (NON-DUCTED ONLY)	Yes - charcoal filters included
controls	5 speed digital control
lighting (Zoom hood IS and IL)	4 LED (1 Watt) - spot lights
lighting (Ceiling fixture IL)	6 LED (1Watt) - spot lights
24-hour antipollution mode	yes
30 Minute delay auto shut off	yes
Perimetric filter system	yes
10 Minute Intensive speed	yes
grease filters	dishwasher safe mesh
ADA compliant	yes - remote control included
AC power	350 watts / 2.9 amps

ZOOMIS16SS400-B



ZOOMIS16SS400-B Top Diagram  
ZOOMIL16SS400

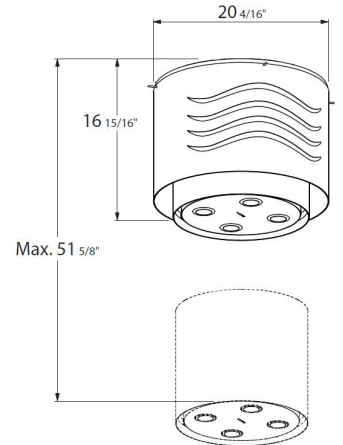


### PERFORMANCE

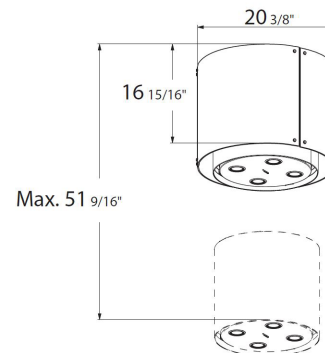
SPEED	1	2	3	BOOST
CFM	150	250	350	390
Sones	3.9	5.0	6.0	7.3

**IMPORTANT NOTE:** Custom designed shades must be at least 16 15/16" high x 20 1/4" wide. Shade materials must be made of ***non-combustable*** materials.

ZOOMIL16SS400 with Oceana Shade



ZOOMIL16SS400 with Vanilla Shade



### ACCESSORIES

# FILTER1 –  
Charcoal Filter Kit

High quality charcoal filter for use when recirculating the air back into the kitchen. Filters out odor and should be replaced every 6 months.

# FILTER1LL –  
Long Lasting Charcoal Filter Kit

New washable charcoal filter can be recharged and washed up to 8 times. For use when recirculating the air back into the kitchen. Filters out odor and can last up to 4 years



WARNING! Product specifications are subject to change without notification. Consult the installation instructions before you begin installing this range hood



Imagined in Italy