

NEW BUILT IN VENTILATION TO PAIR WITH CURRENT KITCHEN TRENDS. A NEW PRO style built in range hood with VAM Technology and a depth of 13 3/4" making it an ideal choice for custom depth 15" cabinetry and perfect for kitchen remodeling projects. The restaurant style baffle filters and all metal motor housing & impellers will stand up to the heat!

Now with
Variable Air Management
adjust CFM for
your local codes

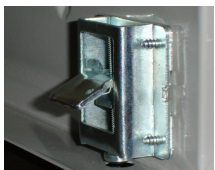


AVAILABLE MODELS

| Model # | Size / Color | Set your CFM Level | Sound Levels (sones) |
|-----------|--------------|--------------------|----------------------|
| INSD29SSV | 29 Stainless | 600, 395, 295 CFM | 2.8 - 7.5 sones |
| INSD35SSV | 35 Stainless | 600, 395, 295 CFM | 2.8 - 7.5 sones |

Note: set to 600 CFM motor class out of the box

KEY FEATURES



Easy Snap Mounting Clips
Installation with easy built-in adjustable clips that tighten onto the sides of the cabinet floor



Pro Baffle Filter
Professional style baffle grease filters, which are dishwasher safe and are able to stand up to pro cooking



Pro Blower
An all metal housing and metal impellers to take the heat from professional style cooking



Direct Rear Venting
Vent the ducting up or rotate the blower to the back (as shown above) to avoid extra duct work when on an outside wall

INCA SD

PRO INSERT RANGE HOOD



SPECIFICATIONS

| | |
|-----------------------------------------|---------------------------------------|
| cut out dimensions 29" | 27 5/8" w x 13 9/16" d |
| cut out dimensions 35" | 33 3/4" w x 13 9/16" d |
| convertible to ductless / recirculating | yes - FILTER1 or FILTER1LL |
| body width depth | 28 3/8" OR 34 5/16" w X 13 3/4" d |
| height inside cabinet | 12 15/16" high |
| Variable Air Management | Yes (set to 295, 395, 600 CFM) |
| controls | 4 speed electronic w/ white LED |
| lighting | 2 X 5 W LED |
| ducting top/rear (Vari-Duct) | 6" round |
| built In mounting | Yes - Easy Snap Clips |
| grease filters | dishwasher safe pro baffle |
| pro motor w/ metal impellers | yes |
| 10 minute intensive speed | yes |
| 15 minute auto shut off | yes |
| ADA compliant | yes - with optional remote |
| power cord included | yes |

PERFORMANCE

| | SPEED | 1 | 2 | 3 | BOOST |
|--------------|-------|------------|------------|------------|------------|
| CFM | | 150 | 295 | 395 | 560 |
| Sones | | 2.8 | 4.3 | 6.0 | 7.5 |

ACCESSORIES

FILTER1 - Charcoal Filter Kit

High quality charcoal filter for use when recirculating the air back into the kitchen. Filters out odor and should be replaced every 6 months

FILTER1LL - Long Lasting Charcoal Filter Kit

New washable charcoal filter can be recharged and washed up to 8 times. For use when recirculating the air back into the kitchen. Filters out odor and can last up to 4 years.

REMCTRL2 - Remote Control

Control all features of the hood from the convenience of a ADA compliant wireless remote control.

WIREBOX - Fixed Wiring Box

Replace the power cord with a hard wired box to power the range hood

LINE30ST / LINE36ST - Stainless Steel Liner 30 & 36" (FOR 29" HOOD ONLY)

See page 3 for more information

LINE36PT (NEW) - Stainless Steel Liner 36" (FOR 35" HOOD ONLY)

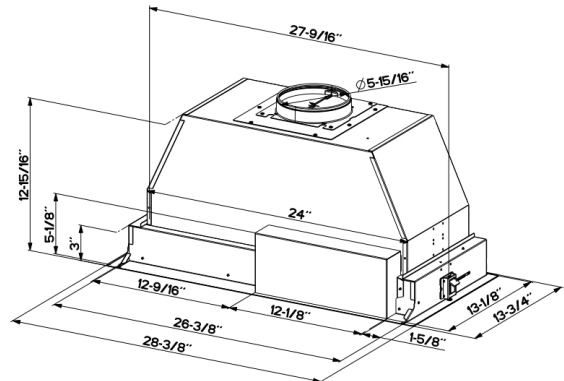
See page 3 for more information

MUDAMPER6 / MUDAMPER8 - Universal Make-Up Air Damper

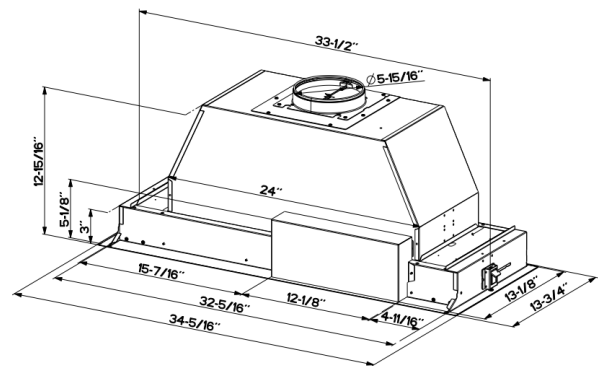
Satisfies make-up air requirements, this kit uses an air switch to activate the make-up air damper to open and bring fresh air into the home when the hood fan is on. It then closes tightly when the hood is off. The CFM level is not reduced with this accessory.

DIMENSIONS

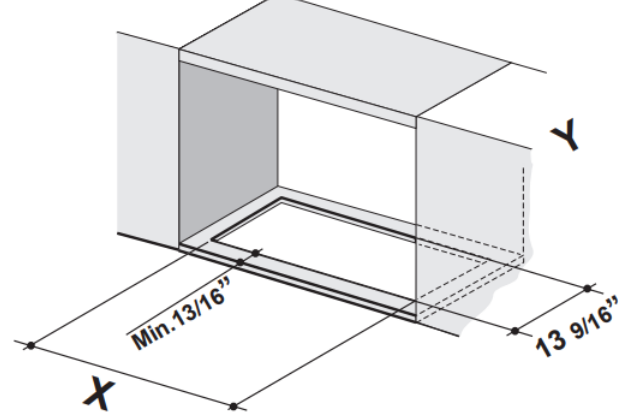
29" Dimensions



35" Dimensions



Cut Out Size



| Hood | 29" | 35" |
|------|----------|----------|
| X | 27 5/8" | 33 3/4" |
| Y | 13 9/16" | 13 9/16" |

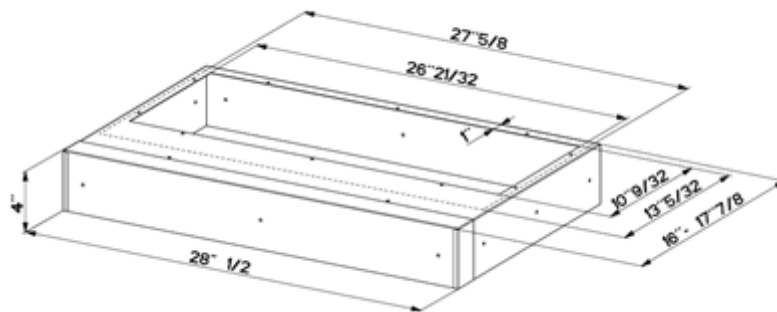
WARNING! Product specifications are subject to change without notification. Consult the installation instructions before you begin installing this range hood. * Check local make up air codes for guidelines.



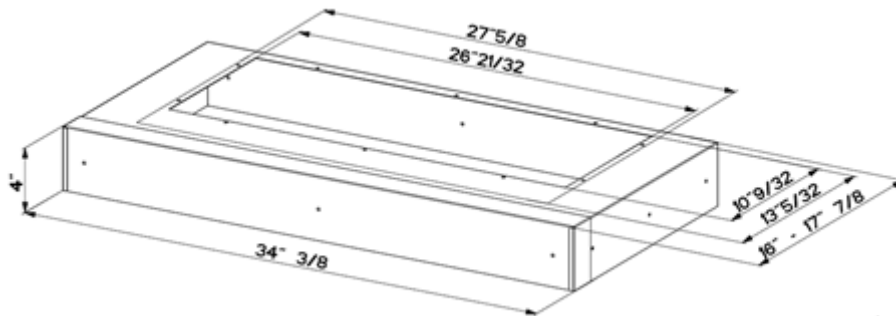
LINER SPECIFICATIONS

Liners are stainless steel kits that are optional for cabinet insert hoods. They create a metal 4" tall perimeter to "line" the wood below the range hood with metal. They create a more finished look and move the range hood up 4" creating additional capture area. In some cases, a liner may be required by local code if the cabinet starts at below 30" off the stove (check local building codes). All liners are adjustable in depth with a telescoping frame.

LINE30ST - USE WITH INSD29SSV ONLY FOR 30" WIDE CABINETS



LINE36ST - USE WITH INSD29SSV ONLY FOR 36" WIDE CABINETS



LINE36PT - USE WITH INSD35SSV ONLY FOR 36" WIDE CABINETS

