

LUXURIOUS STAINLESS ISLAND CYLINDER HOOD. The Cylindra island hood features a stainless steel cylinder with state of the art New LED touch controls and perimetric suction to decrease sound and improve efficiency.



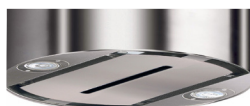
AVAILABLE MODELS

Model #	Size / Color	Motor Class (CFM)	Sound Levels (sones)
CYLNIS15SS600	15" Stainless	600 CFM	1.5 - 6.5

KEY FEATURES



New LED Push Buttons!
Updated Backlit electronic controls with a LED light to indicate the current speed.



Perimeter Aspiration
Air is forced through narrow slots around the perimeter of the center panel greatly improving contaminant extraction.



Pro Motor
The motor in this hood is surrounded in metal with all metal impellers for top performance

CYLINDRA ISOLA ISLAND RANGE HOOD

FABER

AIR MATTERS

SPECIFICATIONS

min. / max. ceiling height	7' 6 5/16" - 8' 11 13/16"
convertible to ductless / recirculating	yes - kit sold separately
controls	4 speed LED digital control
lighting	2 x LED w/ dimmer
ducting top /direct rear	6" round
grease filters	dishwasher safe mesh
pro motor w/ metal impellers	yes
perimetric suction system/ silent kit	yes
10 minute intensive speed	yes
24 hour anti-pollution mode	yes
30 minute auto shut off	yes
grease filter wash indicator	yes
AC Power	490 watts / 4.1 amps

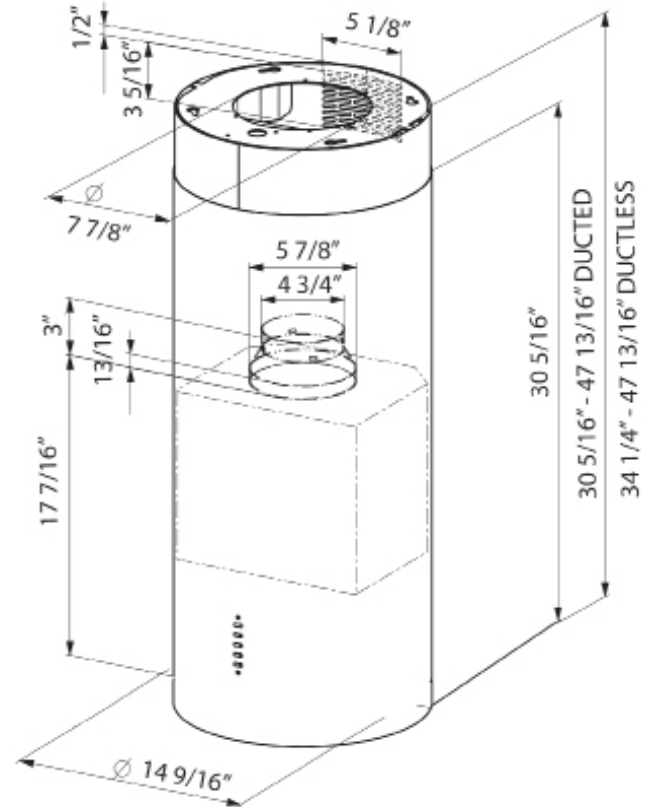
PERFORMANCE

SPEED	1	2	3	BOOST
CFM	150	350	450	560
Sones	1.5	2.5	3.5	6.5

MIN / MAX CEILING HEIGHTS

	DUCTED	RECIRC
Min @ 24" OFF	7' 6 5/16"	7' 10 1/4"
Max @ 30" OFF	8' 11 13/16"	8' 11 13/16"

DIMENSIONS



ACCESSORIES

CFMRED - CFM Reducer Kit*

For use in make up air areas where an under 300 cfm hood is required. This kit reduces the ducting to 5" round and reduces the cfm to under 300.

CFMRED2 CFM Reducer Kit*

For use in make up air environments where an under 400 cfm hood is required. This kit reduces the ducting to 5" round and reduces the cfm from 400 to under.

FILTER2 - Charcoal Filter Kit

High quality charcoal filter for use when recirculating the air back into the kitchen. Filters out odor and should be replaced every 6 months.

MUDAMPER6 / MUDAMPER8 - Universal Make-Up Air Damper

Satisfies make-up air requirements, this kit uses an air switch to activate the make-up air damper to open and bring fresh air into the home when the hood fan is on. It then closes tightly when the hood is off. The CFM level is not reduced with this accessory.

REMCTRL2 - Remote Control

Control all features of the hood from the convenience of a wireless remote control.

WARNING! Product specifications are subject to change without notification. Consult the installation instructions before you begin installing this range hood. * Check local make up air codes for guidelines.

