



INSTALLATION GUIDE

EN

NOTICE D'INSTALLATION

FR

Fhiaba

IMPORTANT

- Dimensions in parentheses are in inches: mm(in).
- Weights in parentheses are in pounds: kg (lb).
- Temperatures in parentheses are in Fahrenheit degrees: °C(°F)

	<i>Important Instructions</i>
Page 3	Important safety instructions Children safety
	<i>Technical requirements</i>
3	Appliance features and installation requirements
4	Integrated installation niche features
5	StandPlus installation niche features
6	X-Pro installation niche features
	<i>Preparing to install</i>
7	Transport to installation site and unpacking
8	Niche Dimensions and Installation Styles: Integrated Series
8	Niche Dimensions and Installation Styles: StandPlus and X-Pro Series
9	Installation types
10	Electrical and Water connection
13	Levelling
	<i>Panels mounting</i>
14	Decorative door and Bottom-Drawer panels layout
16	Decorative panels layout for Fridge with one Bottom-Drawer
17	Decorative panels layout for Fridge with two Bottom-Drawers
18	Decorative panels layout for Fridge with Glass door and one Bottom-Drawer
19	Decorative panels layout for Fridge with Glass door and two Bottom-Drawers
20	Panels Dimensions One Bottom - Drawer
21	Panels Dimensions Two Bottom - Drawers
22	Mounting the handles on Integrated units
23	Mounting panels to the door and the drawer of Integrated units
	<i>Installation</i>
25	Built-in installation of single appliance
26	Built-in installation of two or more appliances
	<i>Completing the installation</i>
28	Anti-tipping safety assembly
30	Mounting handles on stainless front
31	Air circulation
32	Ventilation
33	Post installation control
34	Start Up



Important safely instruction

Symbols used in the Guide



Note
Tips for the correct use of the appliance

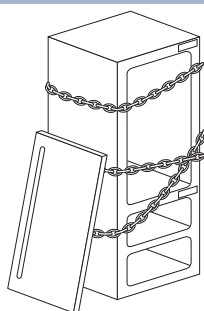


Important
Directions to avoid appliance damage



Warning
directions to prevent injury

Children safety



If this appliance is replacing an existing appliance which must be removed or disposed of, make sure that it does not become a dangerous trap for children by cutting its power supply cable and rendering it impossible to close the door. Use the same caution at the end of the lifespan of the new appliance.

Appliance features and installation requirements

Appliance dimensions Integrated	FI24	w: 599 mm (23 5/8") / h: 2120 mm (83 1/2") / d: 610 mm (24")
	FI30	w: 749 mm (29 1/2") / h: 2120 mm (83 1/2") / d: 610 mm (24")
	FI36	w: 899 mm (35 3/8") / h: 2120 mm (83 1/2") / d: 610 mm (24")
Appliance dimensions StandPlus	FM24	w: 599 mm (23 5/8") / h: 2120 mm (83 1/2") / d: 629 mm (24 3/4")
	FM36	w: 899 mm (35 3/8") / h: 2120 mm (83 1/2") / d: 629 mm (24 3/4")
Appliance dimensions X-Pro	FP24	w: 599 mm (23 5/8") / h: 2120 mm (83 1/2") / d: 635 mm (25")
	FP30	w: 749 mm (29 1/2") / h: 2120 mm (83 1/2") / d: 635 mm (25")
	FP36	w: 899 mm (35 3/8") / h: 2120 mm (83 1/2") / d: 635 mm (25")
Appliance dimensions with packaging	24" Series	w: 650 mm (25 5/8") / h: 2260 mm (89") / d: 800 mm (31 1/2")
	30" Series	w: 800 mm (31 1/2") / h: 2260 mm (89") / d: 800 mm (31 1/2")
	36" Series	w: 950 mm (37 3/8") / h: 2260 mm (89") / d: 800 mm (31 1/2")
Weight with packaging	24" Series	up to 230 kg (507 lb)
	30" Series	up to 275 kg (606 lb)
	36" Series	up to 295 kg (650 lb)
Voltage	North America Version: 110V 60Hz	
Power supply cable	North America Version: 15 A	
Potable water supply pressure	from 0.05 MPa to 0.5 MPa (0.5 Bar - 5 Bar)	
Water supply tube	3/4" female attachment	
Provided installation accessories	<ul style="list-style-type: none"> ■ Customized panels mounting Kit ■ Anti-tipping Kit (B04000200) ■ Lateral connecting kit (KCLIT/KCLIH) ■ 4 mm (1/8") allen wrench 	
Additional equipment necessary	<ul style="list-style-type: none"> ■ Phillips head screwdriver ■ wood and percussion drill ■ 2.5 mm (1/8") bit for wood ■ 8 mm (3/8") bit for walls ■ 17 mm (3/4") wrench 	
Adjusting height of the rear rollers	13 mm (1/2") socket	

Installation niche features: StandPlus Series

A area to be left clear for the anti-tipping brackets

Niche Height

2134 mm (84")

Niche Width

FM36: 900 mm (35 1/2")
FM24: 600 mm (23 3/4")

Door Swing Clearance

FM36: 1470 mm (57 7/8")
FM24: 1170 mm (46")

Door Opening Angle

105°

Width

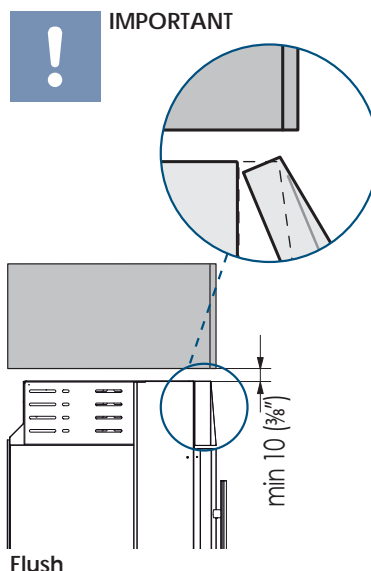
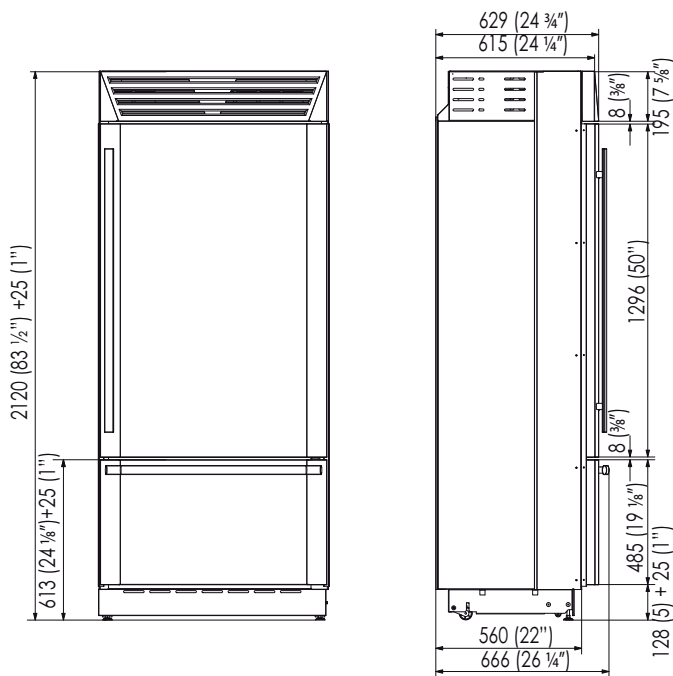
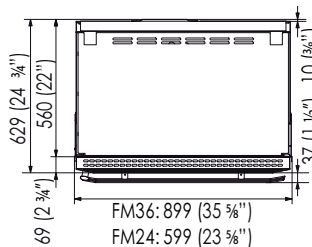
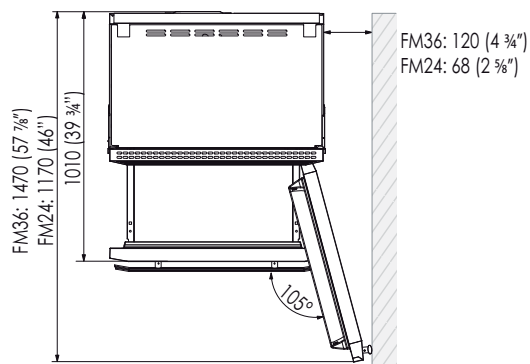
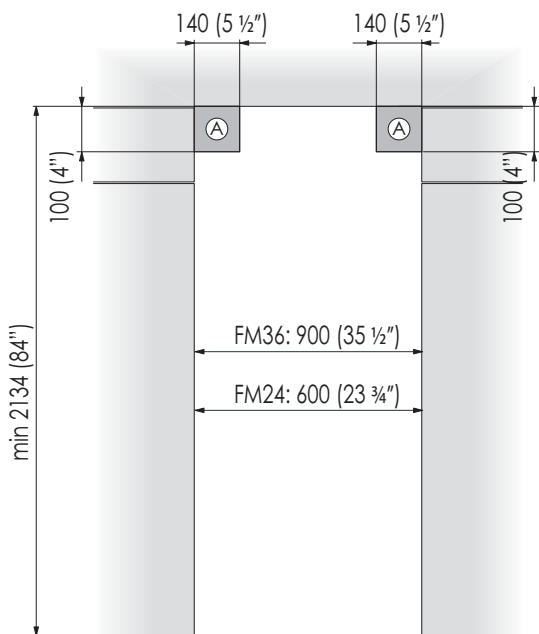
FM36: 899 mm (35 3/8")
FM24: 599 mm (23 5/8")

Height

2120 mm (83 1/2") + 25 mm (1")

Depth with door

629 mm (24 3/4")



Installation niche features: X-Pro Series

A area to be left clear for the anti-tipping brackets

Niche Height

2134 mm (84")

Niche Width

FP36: 900 mm (35 1/2")

FP30: 750 mm (29 5/8")

FP24: 600 mm (23 3/4")

Door Swing Clearance

FP36: 1470 mm (57 7/8")

FP30: 1320 mm (52")

FP24: 1170 mm (46")

Door Opening Angle

105°

Width

FP36: 899 mm (35 3/8")

FP30: 749 mm (29 1/2")

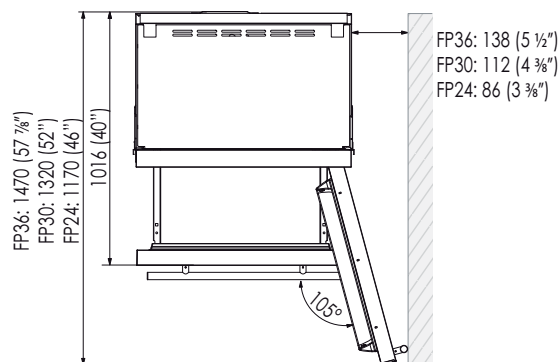
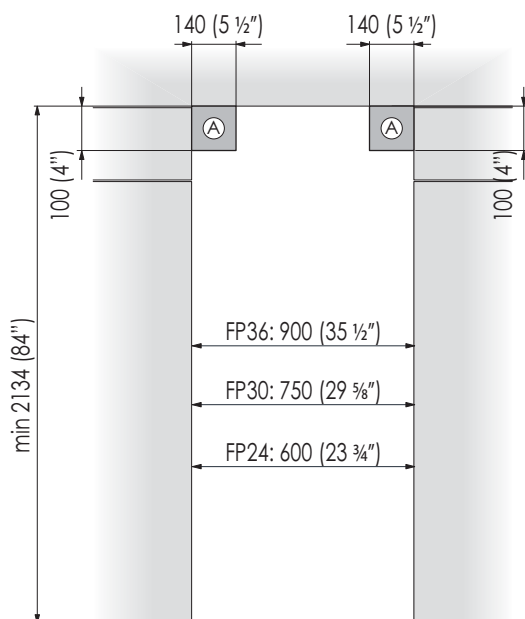
FP24: 599 mm (23 5/8")

Height

2120 mm (83 1/2") + 25 mm (1")

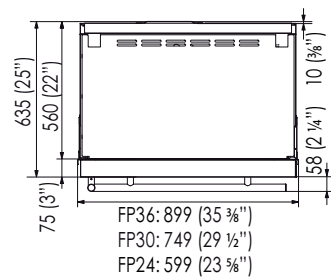
Depth with door

635 mm (25")

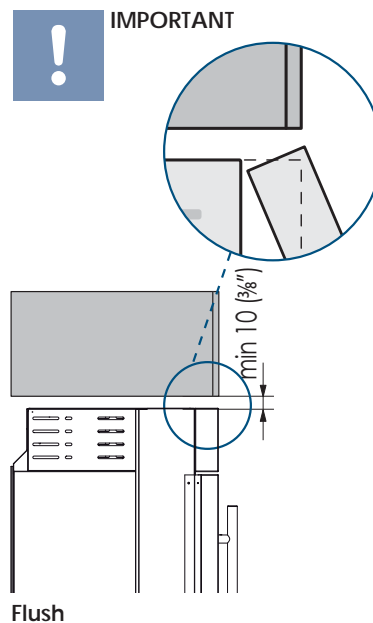
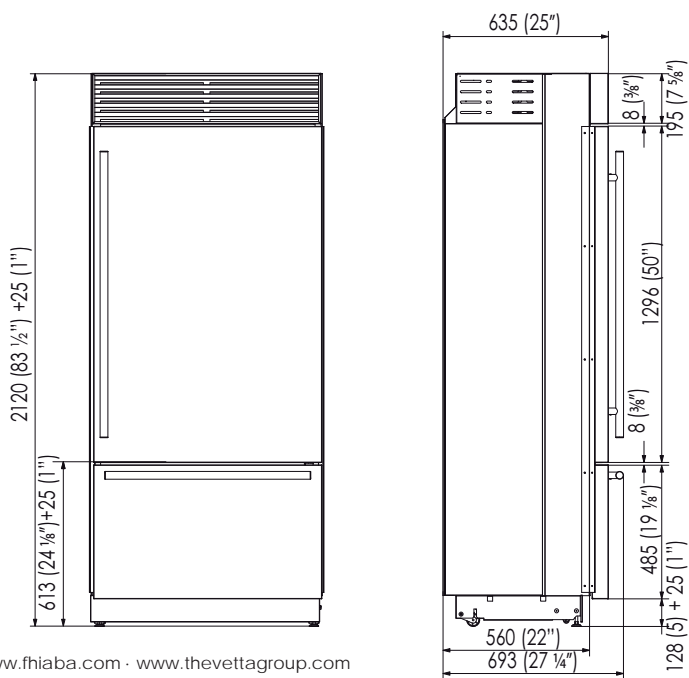


FP36: 1470 (57 7/8")
FP30: 1320 (52")
FP24: 1170 (46")

FP36: 138 (5 1/2")
FP30: 112 (4 3/8")
FP24: 86 (3 3/8")



FP36: 899 (35 3/8")
FP30: 749 (29 1/2")
FP24: 599 (23 5/8")



Flush

Preparing the installation

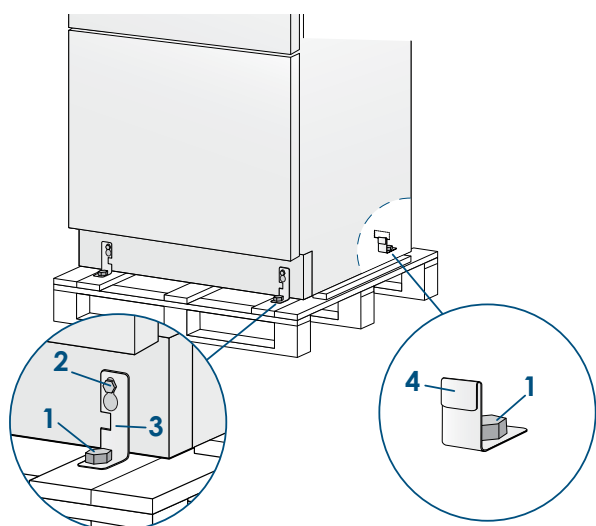
Transport to installation site and unpacking

Since this is a large and heavy appliance, before transporting the appliance, check the access to the location where it will be installed (door size, manoeuvring space in stairwells, etc.).

The appliance is attached to the base of the packaging (pallet) through four bolts which can be removed using a 17 mm (3/4") wrench. It is recommended to use a manual transporting device to move the appliance to the installation site, and only at this point to remove the base of the packaging.

The appliance should always be transported in an erect position. If this is not possible, transport the appliance laying on its rear side.

Once at the installation site, the appliance, which is equipped with four wheels, can be taken off the pallet and positioned in the installation area.



Operate as follows:

- Take off the four bolts (1) securing the appliance to the pallet by means of a 17 mm (3/4") open spanner.
- Remove the fixing brackets (3) and (4).
- To remove the front fixing bracket (3), unscrew for one or two turns the rear wheel adjusting bolt (2) by means of a 13 mm (1/2") box spanner.
- From the back of the unit and by means of a suitable, high duty hand trolley, take off the appliance and place it on the floor.

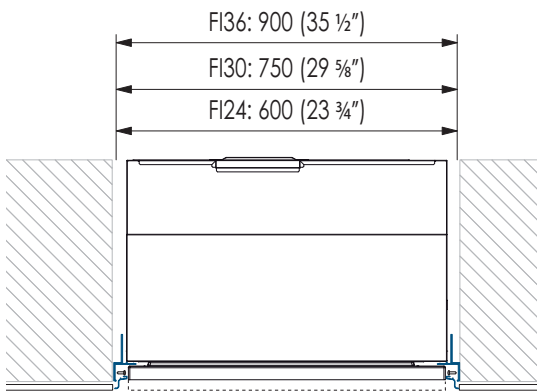


The appliance is very heavy. Take maximum care during handling to avoid injury.

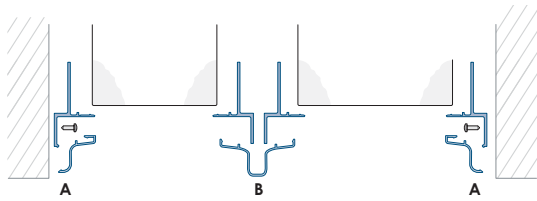


The appliance should always be transported in an erect position. Avoid at all costs leaning it on its front side.

Niche Dimensions and Installation Styles: Integrated Series



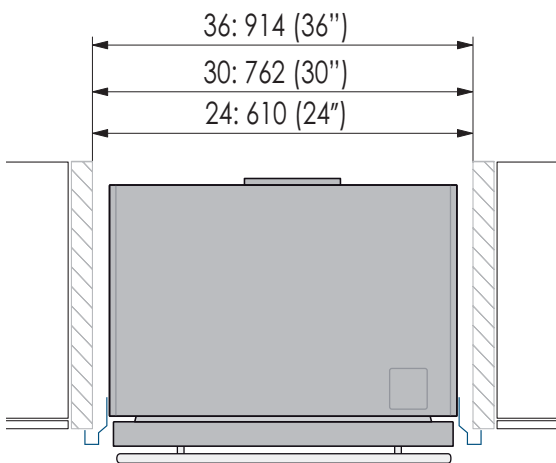
Series	Niche	Panels Width
FI36	900 (35 1/2")	897 (35 1/4")
FI30	750 (29 5/8")	747 (29 3/8")
FI24	600 (23 3/4")	597 (23 1/2")



A KCLITU: Lateral connection Kit (not included - must be ordered as a separate accessory)
B KCCITU: Central connection Kit (not included - must be ordered as a separate accessory)

Niche Dimensions and Installation Styles: StandPlus and X-Pro Series

Stand-Proud

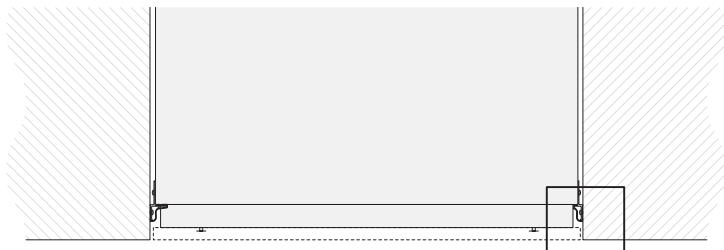


Series	NICHE	
	MIN	MAX
36	900 (35 1/2")	914 (36")
30	750 (29 5/8")	762 (30")
24	600 (23 3/4")	610 (24")

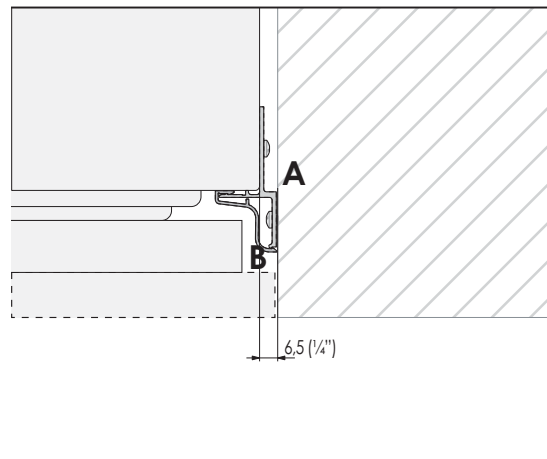
KCLXB: Lateral connection Kit (not included - must be ordered as a separate accessory)

Installation types

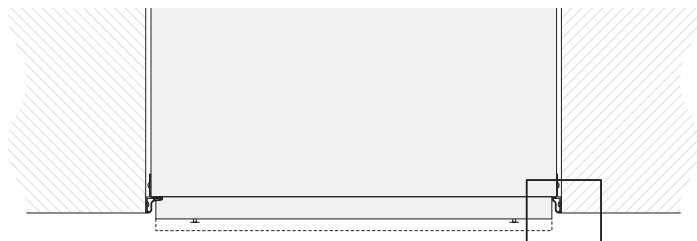
Flush installation with standard aluminum trims



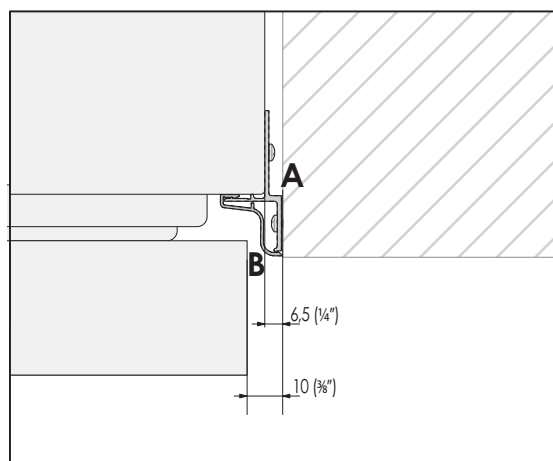
A KCLITU: Lateral connection Kit
(not included - must be ordered as a separate accessory)
B KCCITU: Central connection Kit
(not included - must be ordered as a separate accessory)



Prominent installation with standard aluminum trims

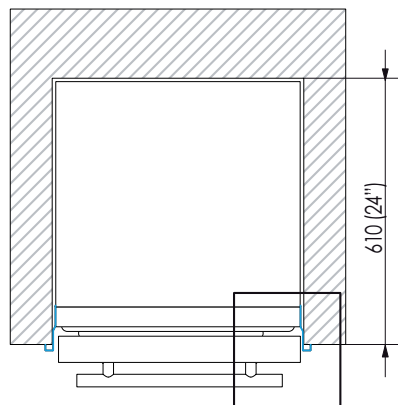


A KCLITU: Lateral connection Kit
(not included - must be ordered as a separate accessory)
B KCCITU: Central connection Kit
(not included - must be ordered as a separate accessory)

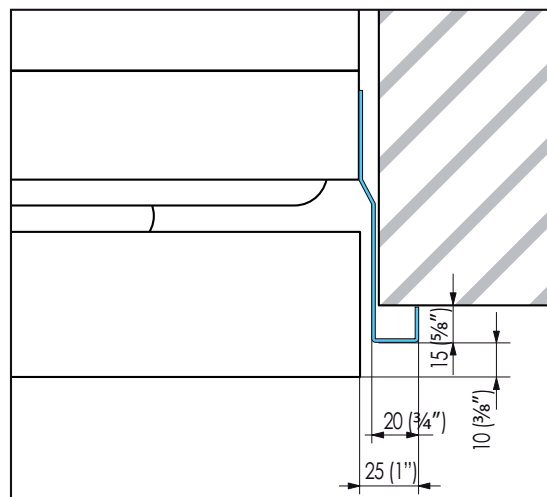


Stand-Proud (for StandPlus and X-Pro series)

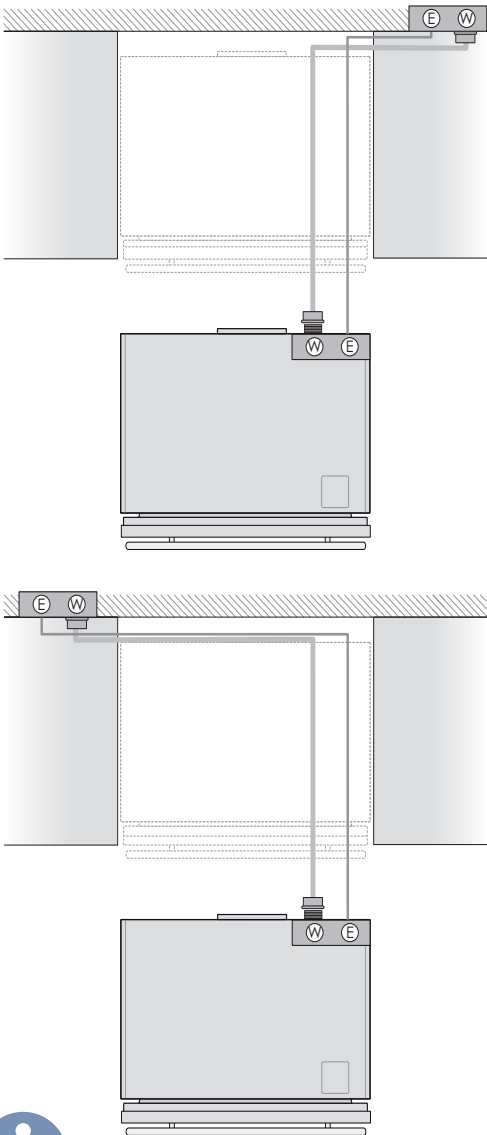
Niche 610 mm (24")



KCLXB: Lateral connection Kit
(not included - must be ordered as a separate accessory)



Electrical and Water connection



The appliances are delivered from the factory for operation at 110V-120V AC - 60Hz (US and Canada).

They are provided with a suitable supply cable and plug to be connected to an appropriate 15A socket (US and Canada) provided with an effective grounding.

A circuit breaker should also be installed and should be easily accessible so that it can be easily switched off before performing any installation or maintenance.

To connect to the water supply system (for appliances equipped with ice makers) a 1/4" waterline with accessible shut-off valve must be supplied.

The appliance is provided with a water adapter elbow which is suitable for high water pressure and complies the Food Regulations.

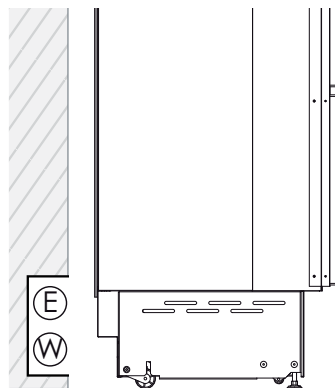
The water filter cartridge, which is provided with the appliance, should be installed according to the accompanying instructions. Use only the new adapter which is supplied with the appliance. The solenoid connection on the appliance is 3/4" diameter but is metric threaded. A standard garden hose threaded connector such as a braided stainless hose found at typical hardware stores will strip or damage the solenoid threads. Use only the supplied 1/4" quick connect elbow adapter for connecting a 1/4" copper or polyethylene source water line to the appliance.

Electrical cord length: 2500 mm (98 3/8")

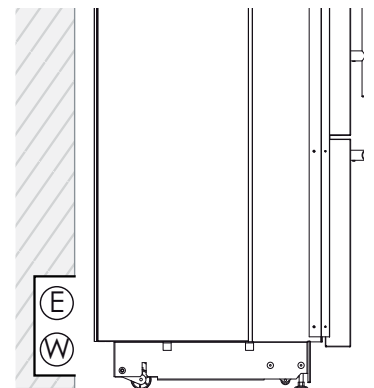
Water connection line length: 2500 mm (98 3/8")

Electrical and water supply behind the unit

Integrated Series



StandPlus and X-Pro Series




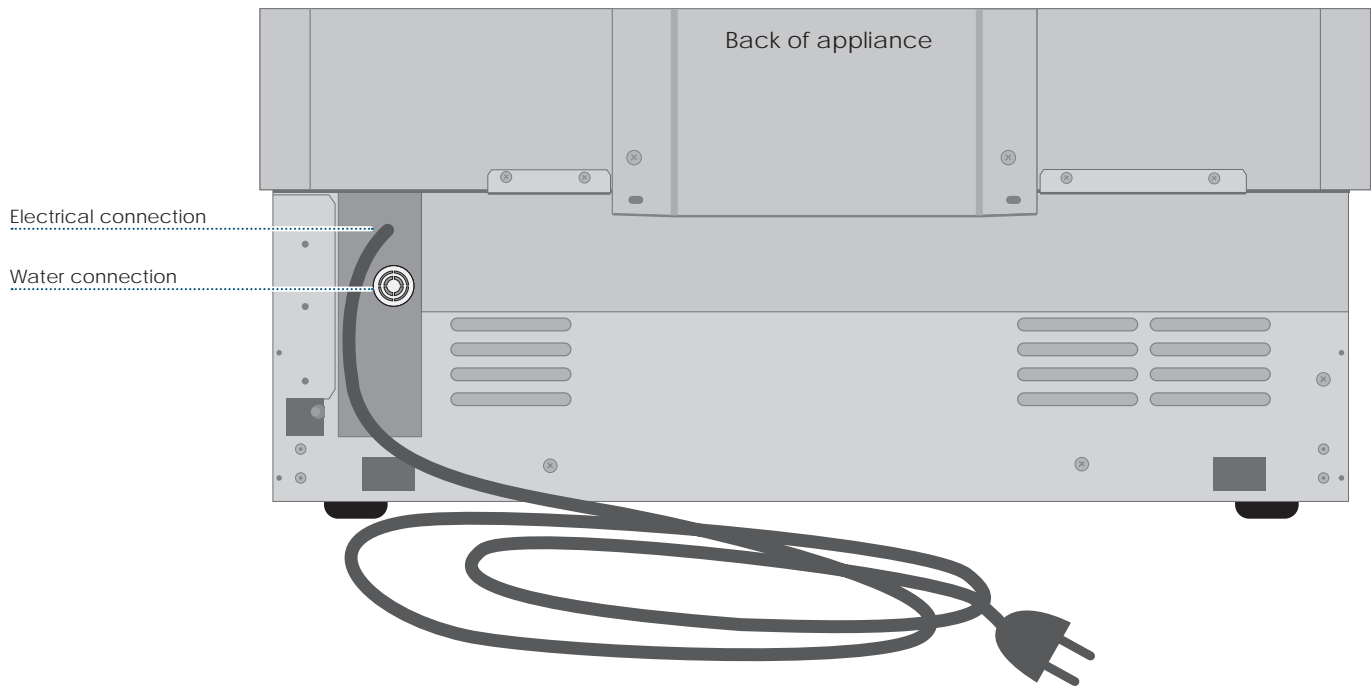
The Built-in Fhiaba filter cannot make it safe to drink any water which is not suitable for human consumption.



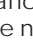
The appliance should be connected only to a drinkable water supply system.

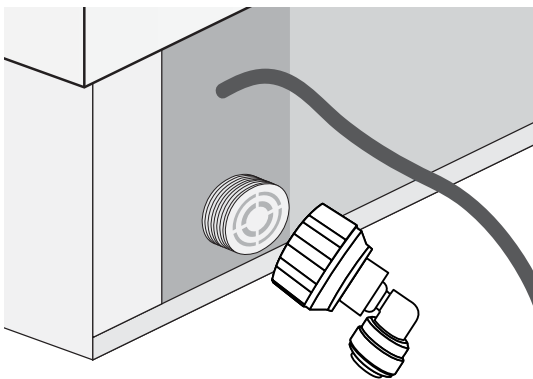


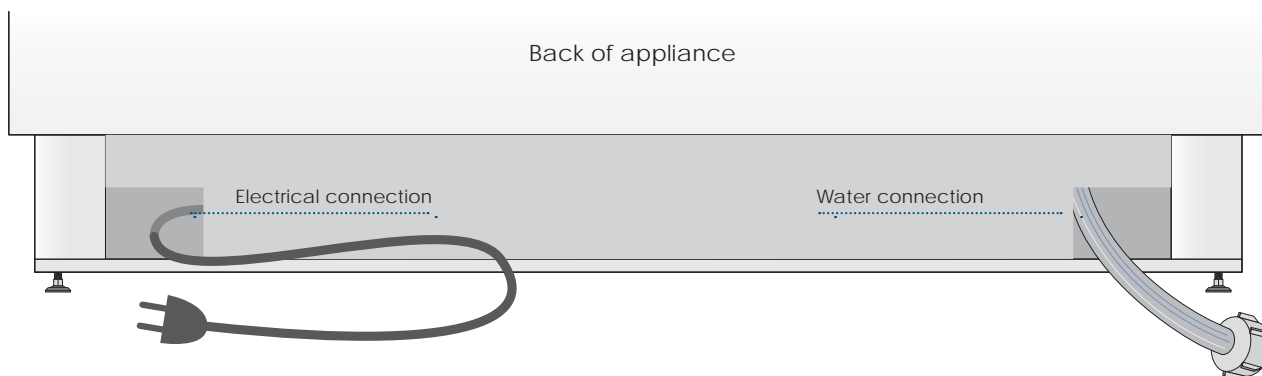
Do not use extension cords or adapters. Once the appliance is fully installed, connected to the water supply (if applicable) and operational, in the event that the water supply must be turned off, (touch the button  on control panel to switch it off) before the main water is shut off to prevent the appliance from entering a 'NO WATER IN' alarm state.



Operate as follows:

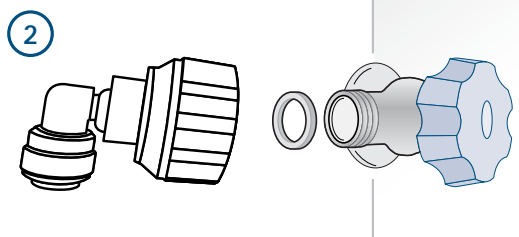
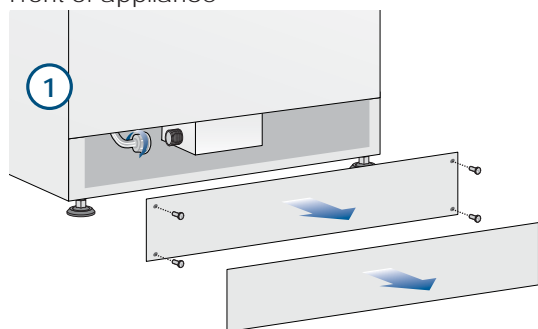
- Unwind the electric cable and connect it directly to the wall socket.
- Make sure the appliance is in the Stand-by condition and that all lights are off; should it be not so press the Unit button  to switch it off.
- Push the 1/4" source waterline fully into the elbow connector then thread the elbow adapter to the solenoid at the back of the appliance. Firmly tighten with fingers - a tool / wrench should not be needed to make a proper seal. Turn on the water and ensure all connections are not leaking prior to pushing the unit into the niche.






Operate as follows:

Front of appliance



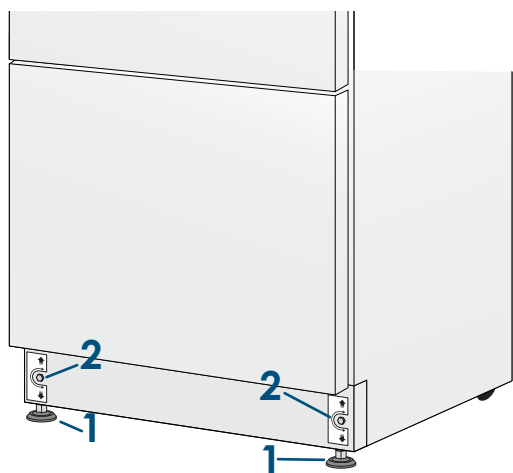
- Unwind the electric cable and connect it directly to the wall socket.
- Make sure the appliance is in the Stand-by condition and that all lights are off; should it be not so press the Unit button  to switch it off.
- Connect the water line to the threaded connection at the base of the unit, as in figure **1**.
- Fit the other end of the hose to the water tap, use the gaskets provided in the Owner's Kit **2**.
Firmly tighten with fingers - a tool / wrench should not be needed to make a proper seal. Turn on the water and ensure all connections are not leaking prior to pushing the unit into the niche.

Levelling

Adjust the appliance level by means of the front levelling feet and the rear adjustable wheels.

Operate as follows:

- After removing the bottom plinth or grille (it is kept in position by magnets), adjust the height of the levelling feet **①** by means of a 17 mm (3/4") open spanner.
- Then adjust the height of the rear wheels by turning the front adjusting bolts **②** clockwise or anticlockwise as it may be required.
- Remount the bottom plinth or grille.



Decorative door and bottom-drawer panels layout

The dimensions of the panels are indicated in the table and drawings on pages 16-19.

Nevertheless, according to the requirements for aligning with other kitchen structures, the door panel can be higher than the upper edge of the refrigerator door, and the drawer panel can be lower than the edge of the drawer.

The panels must be mounted using special braces which attach to adjustable devices provided on the door and drawer and with brackets that anchor and adjust the panel's vertical direction.

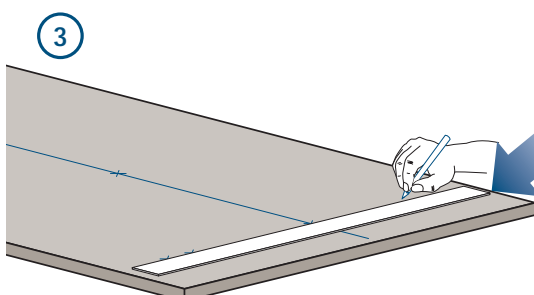
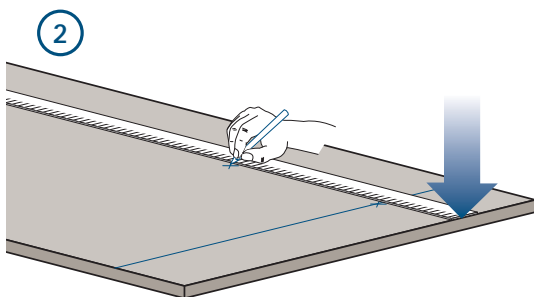
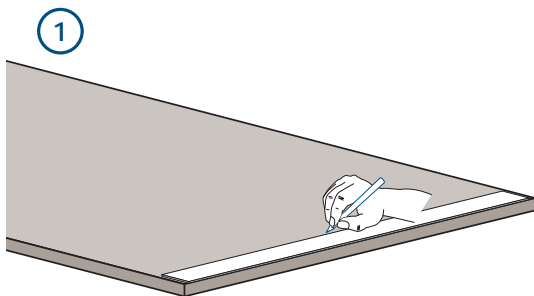
Braces, brackets and fixing screws are provided with the appliance and must be applied to the panel as indicated.

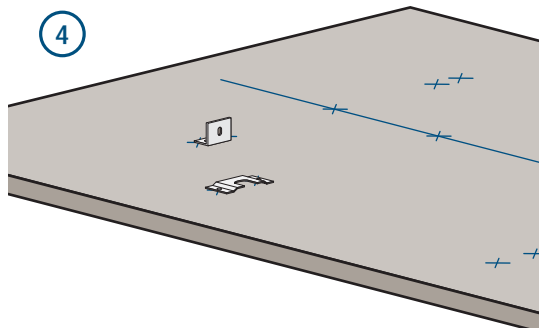
Operate as follows:

To prepare the panels to be mounted on the appliance, follow these steps, working on the back of the panel.

Door Panel

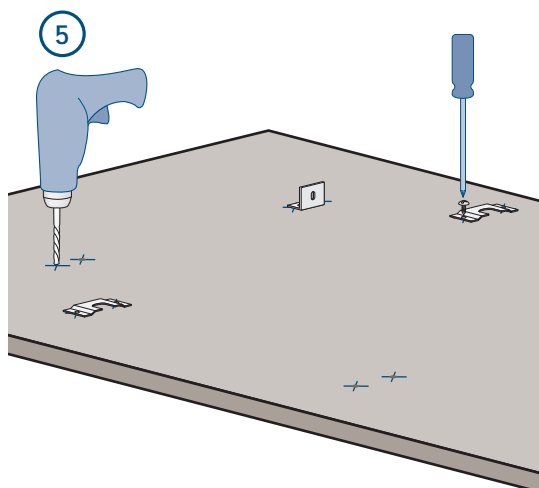
- Trace a line dividing the panel width in half (1).
- Starting from the Bottom edge of the panel, mark the positioning of the brackets (2).
- Following the corresponding table, mark the external and then the internal hole (3).





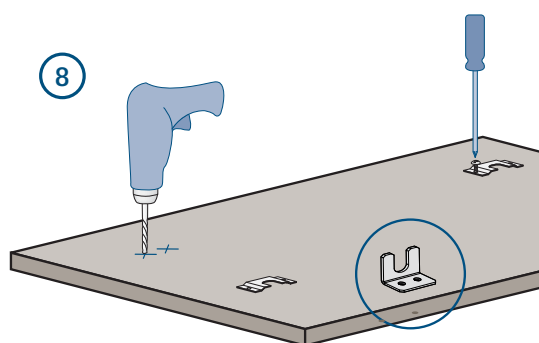
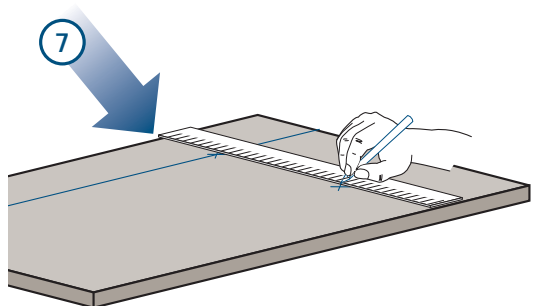
■ Position the brackets on each set of marks to make sure they are aligned (4), then drill holes through the panel (pay close attention to the panel's thickness) (5).

■ Screw the brackets in place (6).

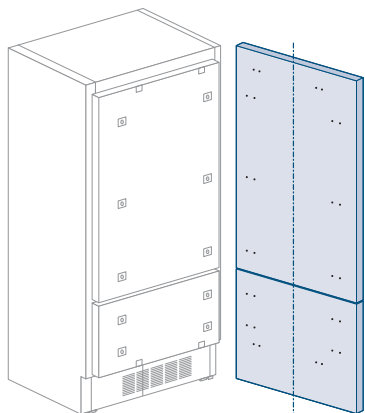


Drawer Panel

■ When preparing the Drawer Panel, follow the same instructions as per the door panel, but make sure measurements are taken starting from the top edge (7). The support bracket faces the opposite way (8) (note imgs 4 and 8).

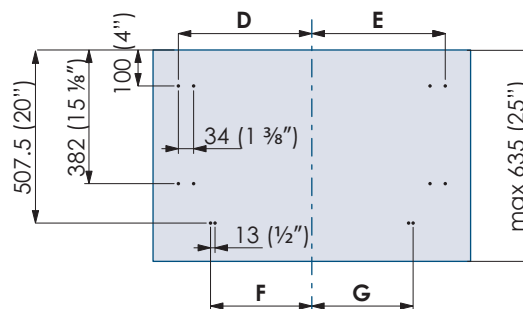
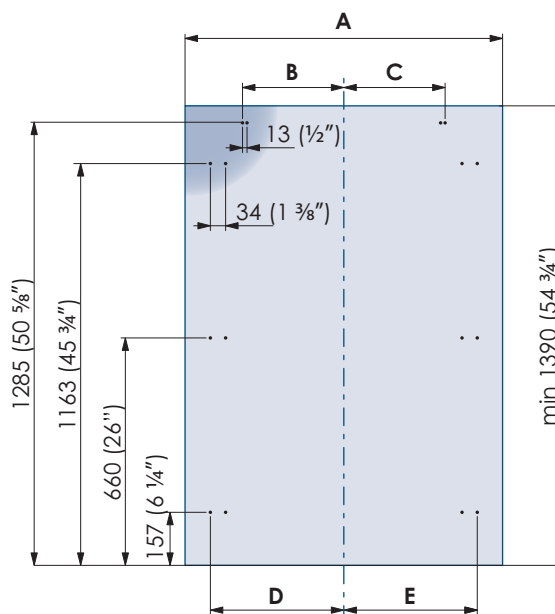
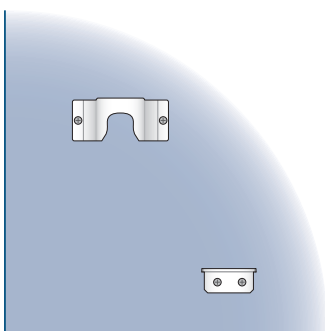
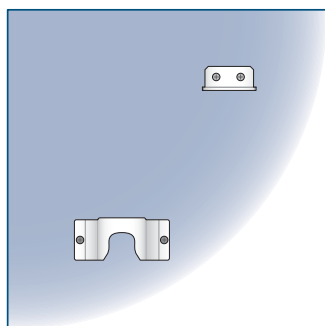


Decorative panels layout for Fridge with one Bottom-Drawer

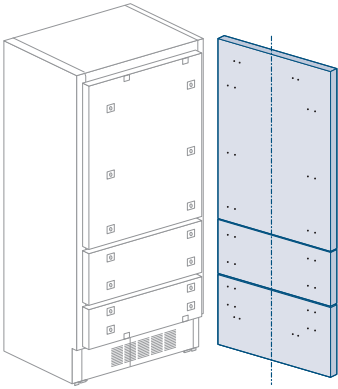


	Series 36		Series 30		Series 24	
	Hinge Left	Hinge Right	Hinge Left	Hinge Right	Hinge Left	Hinge Right
A	897 (35 1/4")	897 (35 1/4")	747 (29 3/8")	747 (29 3/8")	597 (23 1/2")	597 (23 1/2")
B	355.5 (14")	261 (10 1/4")	279 (11")	187 (7 3/8")	205 (8 1/8")	111 (4 3/8")
C	261 (10 1/4")	355.5 (14")	187 (7 3/8")	279 (11")	111 (4 3/8")	205 (8 1/8")
D	418 (16 1/2")	386 (15 1/4")	343 (13 1/2")	311 (12 1/4")	276.5 (10 7/8")	236.5 (9 3/8")
E	386 (15 1/4")	418 (16 1/2")	311 (12 1/4")	343 (13 1/2")	236.5 (9 3/8")	276.5 (10 7/8")
F / G	354.5 (14")	354.5 (14")	279.5 (11")	279.5 (11")	203.5(8")	203.5(8")

Holes positions

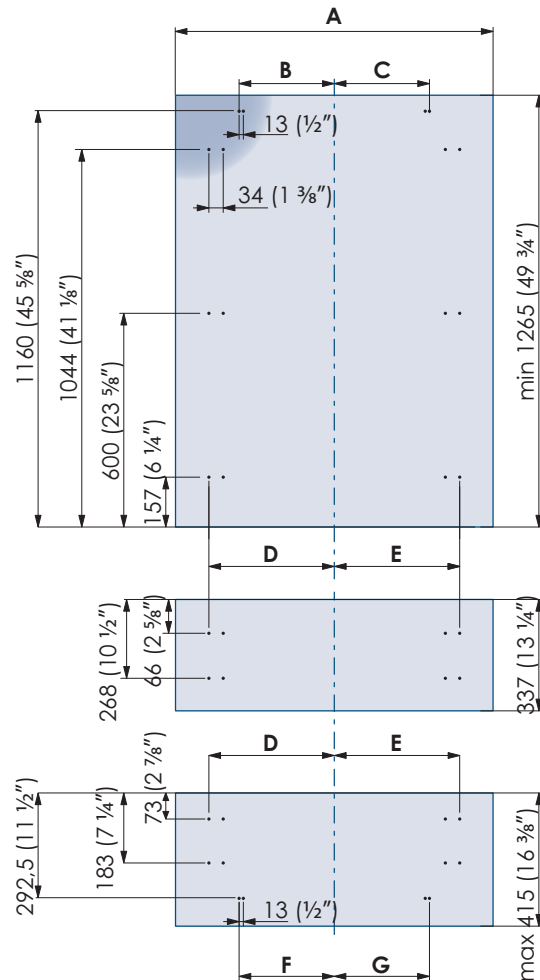


Decorative panels layout for Fridge with two Bottom-Drawers

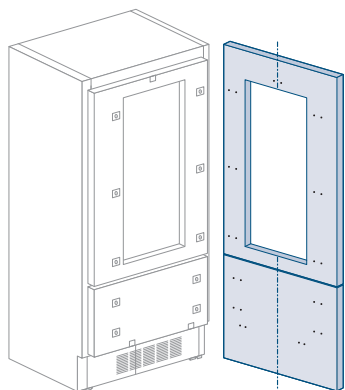


	Series 36		Series 30	
	Hinge Left	Hinge Right	Hinge Left	Hinge Right
A	897 (35 1/4")	897 (35 1/4")	747 (29 3/8")	747 (29 3/8")
B	355.5 (14")	261 (10 1/4")	279 (11")	187 (7 3/8")
C	261 (10 1/4")	355.5 (14")	187 (7 3/8")	279 (11")
D	418 (16 1/2")	386 (15 1/4")	343 (13 1/2")	311 (12 1/4")
E	386 (15 1/4")	418 (16 1/2")	311 (12 1/4")	343 (13 1/2")
F / G	354.5 (14")	354.5 (14")	279.5 (11")	279.5 (11")

Holes positions

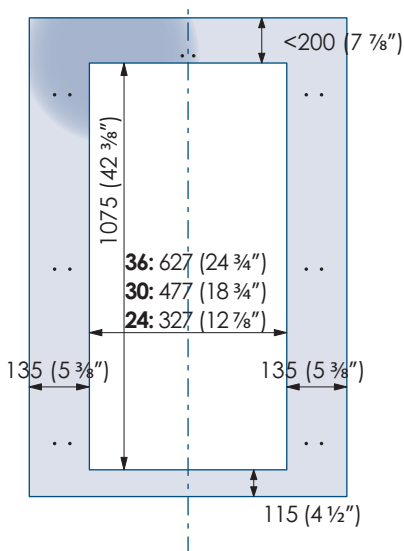


Decorative panels layout for Fridge with glass door and one Bottom-Drawer

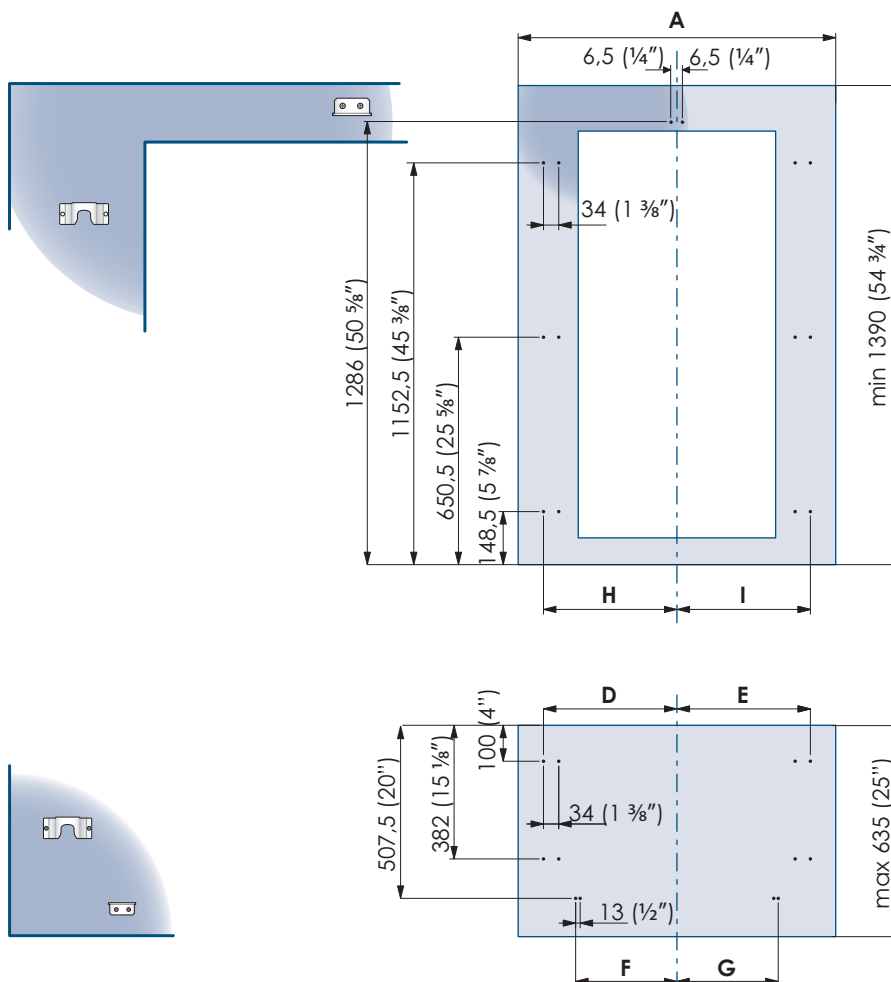


	Series 36		Series 30		Series 24	
	Hinge Left	Hinge Right	Hinge Left	Hinge Right	Hinge Left	Hinge Right
A	897 (35 1/4")	897 (35 1/4")	747 (29 3/8")	747 (29 3/8")	597 (23 1/2")	597 (23 1/2")
D	418 (16 1/2")	386 (15 1/4")	343 (13 1/2")	311 (12 1/4")	276.5 (10 7/8")	236.5 (9 3/8")
E	386 (15 1/4")	418 (16 1/2")	311 (12 1/4")	343 (13 1/2")	236.5 (9 3/8")	276.5 (10 7/8")
F / G	354.5 (14")	354.5 (14")	279.5 (11")	279.5 (11")	203.5(8")	203.5(8")
H	412 (16 1/4")	380 (15")	337 (13 1/4")	305 (12")	270.5 (10 5/8")	230.5 (9 1/8")
I	380 (15")	412 (16 1/4")	305 (12")	337 (13 1/4")	230.5 (9 1/8")	270.5 (10 5/8")

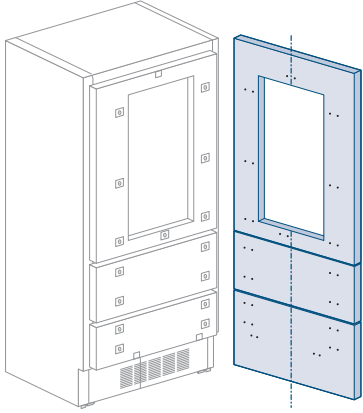
Door window dimensions



Holes positions

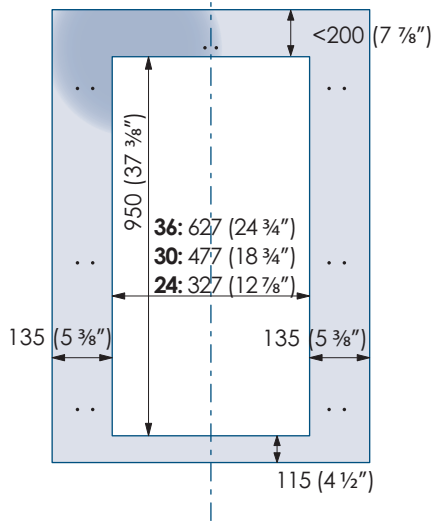


Decorative panels layout for Fridge with glass door and two Bottom-Drawers

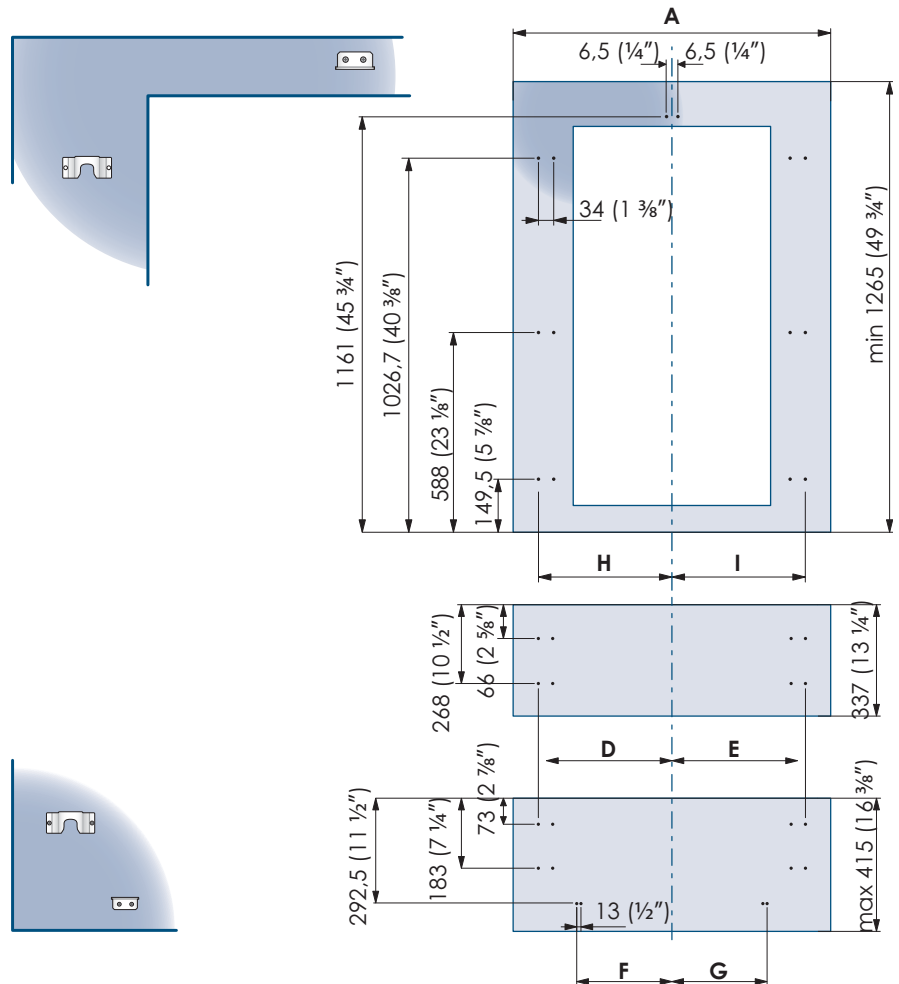


	Series 36		Series 30	
	Hinge Left	Hinge Right	Hinge Left	Hinge Right
A	897 (35 1/4")	897 (35 1/4")	747 (29 3/8")	747 (29 3/8")
D	418 (16 1/2")	386 (15 1/4")	343 (13 1/2")	311 (12 1/4")
E	386 (15 1/4")	418 (16 1/2")	311 (12 1/4")	343 (13 1/2")
F / G	354.5 (14")	354.5 (14")	279.5 (11")	279.5 (11")
H	412 (16 1/4")	380 (15")	337 (13 1/4")	305 (12")
I	380 (15")	412 (16 1/4")	305 (12")	337 (13 1/4")

Door window dimensions



Holes positions



Panels Dimensions Single Bottom - Drawer

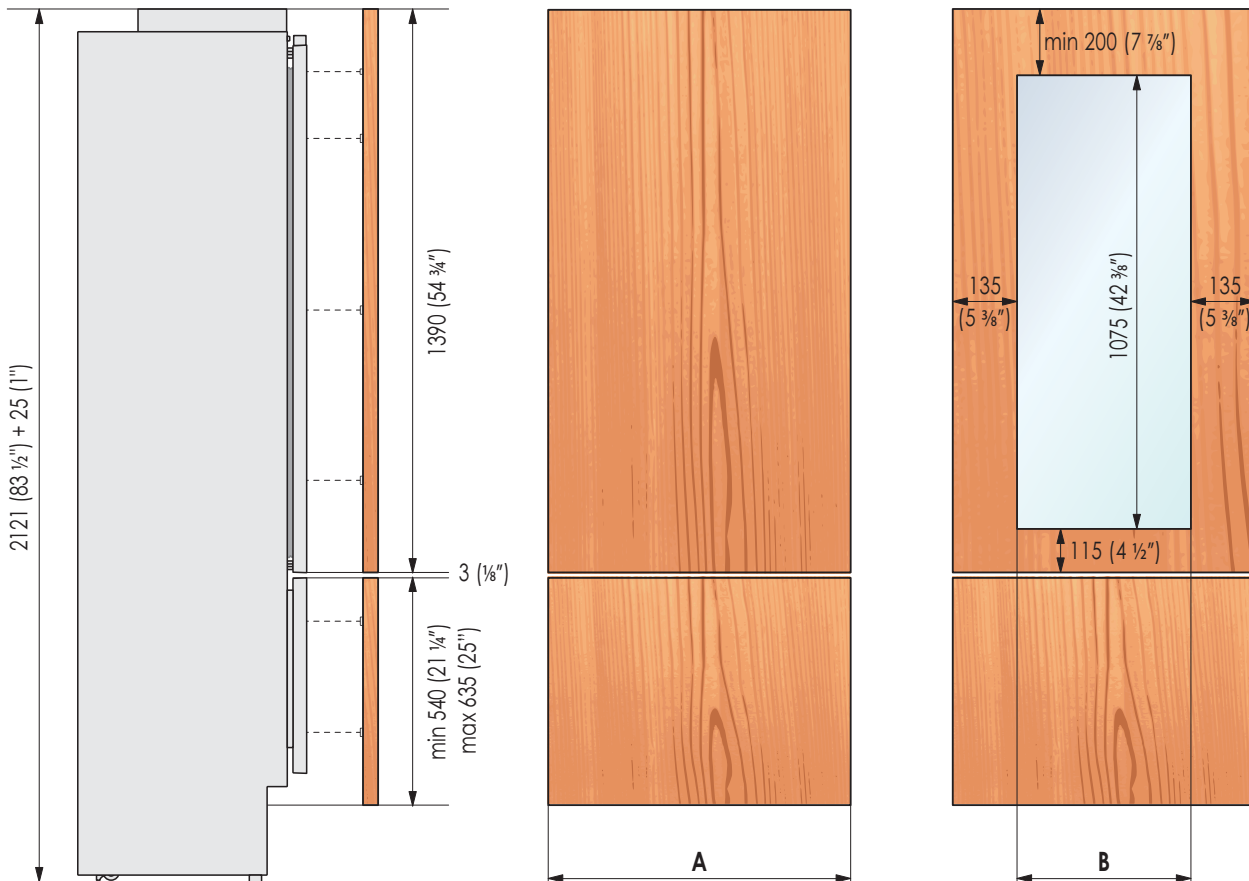
Panels can have thickness ranging between 18 mm (3/4") and 28 mm (1-1/8").

Door panels can have a maximum weight 23 kg (51 lbs) and drawer panels may be a maximum weight of 11kg (25 lbs)

Exceeding these weights could void your warranty for any service issues which can be attributed to overweight panels.

The hinging mechanism on Fhiaba appliances is considered to be `Zero-clearance`. The door and drawer widths specified below assume the minimum niche width is being used and a 3.5mm (1/8") reveal is desired around the panels. Adjust your panel dimensions accordingly to your own design criteria considering your niche width and your reveal. Minimum reveal / gap should not be less than 1.5mm (1/16").

Series	Door/Drawer Width A	Door Cutout Width B
FI36	897 (35 1/4")	627 (24 3/4")
FI30	747 (29 3/8")	477 (18 3/4")
FI24	597 (23 1/2")	327 (12 7/8")



Example:
 84" niche height
 36" niche width
 4" toe kick height
 1/8" gap desired all around

Door panel:
 Width: 35-3/4"
 Height: 54-3/4"

Drawer panel:
 Width: 35-3/4"
 Height: 84"-1/8"-54-3/4"-1/8"-4"=25"
 If you want a 6" toe kick height then your bottom drawer panel height would be 23"

Panels Dimensions Two Bottom - Drawers

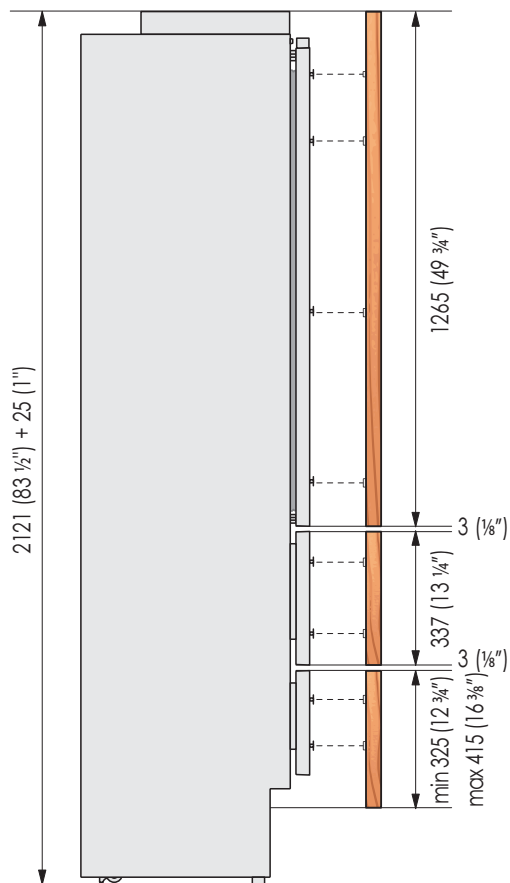
Panels can have thickness ranging between 18 mm (3/4") and 28 mm (1-1/8").

Door panels can have a maximum weight 23 kg (51 lbs) and drawer panels may be a maximum weight of 11kg (25 lbs)

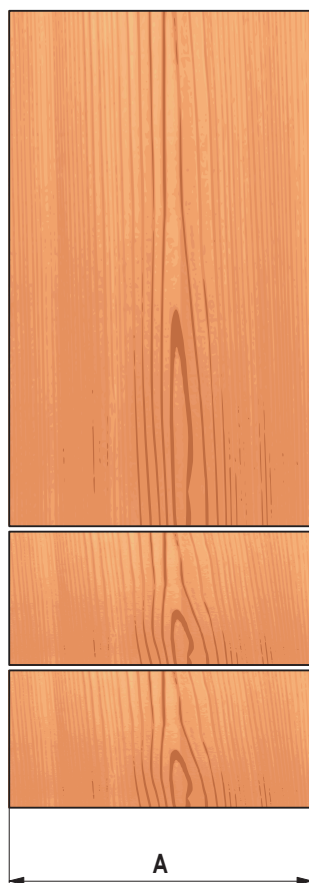
Exceeding these weights could void your warranty for any service issues which can be attributed to overweight panels.

The hinging mechanism on Fhiaba appliances is considered to be `Zero-clearance`. The door and drawer widths specified below assume the minimum niche width is being used and a 3.5mm (1/8") reveal is desired around the panels. Adjust your panel dimensions accordingly to your own design criteria considering your niche width and your reveal. Minimum reveal / gap should not be less than 1.5mm (1/16").

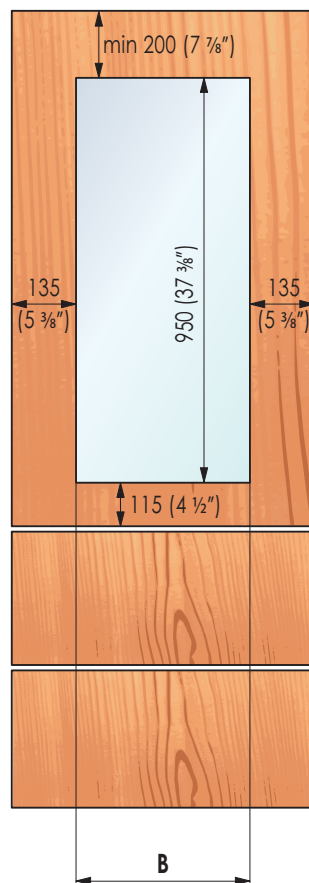
Series	Door/Drawer Width A	Door Cutout Width B
F136	897 (35 1/4")	627 (24 3/4")
F130	747 (29 3/8")	477 (18 3/4")



Example:
 84" niche height
 36" niche width
 4" toe kick height
 1/8" gap desired all around

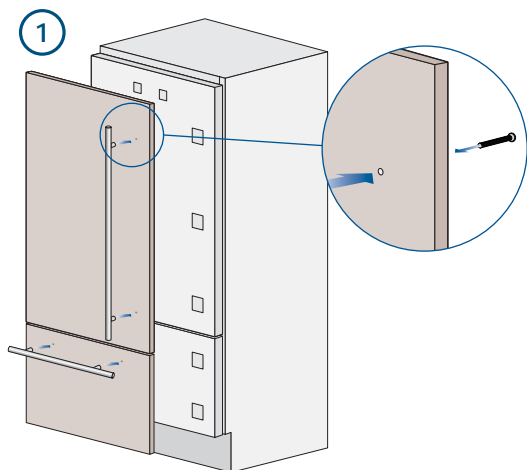


Door panel:
 Width: 35-3/4"
 Height: 54-3/4"



Drawer panel:
 Width: 35-3/4"
 Height: 84"-1/8"-54-3/4"-1/8"-4"=25"
 If you want a 6" toe kick height then your bottom drawer panel height would be 23"

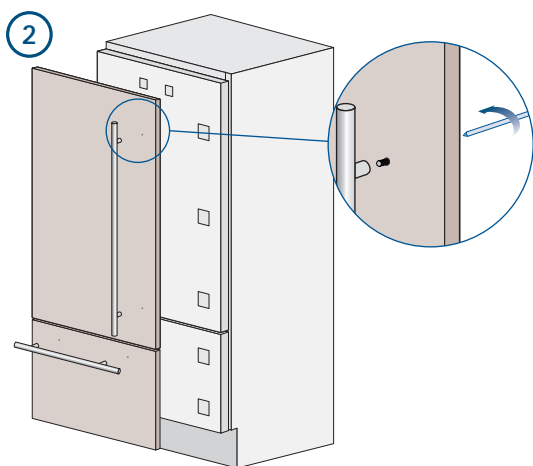
Mounting the handles on Integrated units



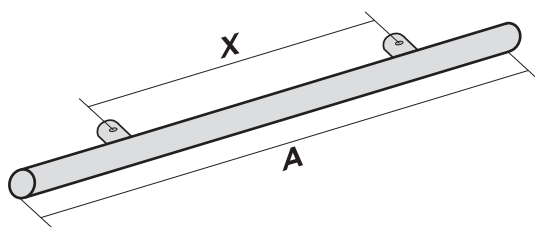
Handles will have to be mounted on the panels before they are applied to the fridge.

Operate as follows:

- Drill two holes of 5 mm (1/4 ") on the rear side panels, insert the supplied screws to the distance indicated in the table below. To center the vertical handle (code HV) to the center of the door, split into two the height of the panel and make a hole at -45 cm (-17 3/4 ") and one at +45 cm (+17 3/4") ①.

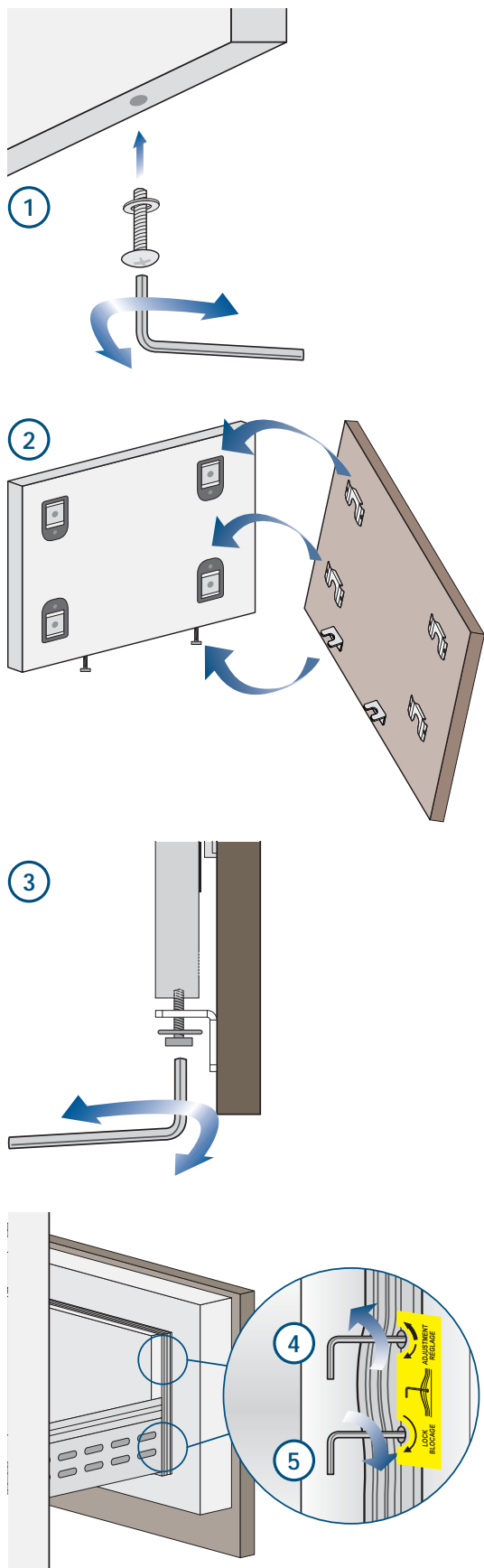


- Place the handle on top of the holes and insert the screws through the panel and into the handle support ②.



	Handle product code			
	HV	HO8	HO7	HO5
Length A	1104 mm (43 1/2")	794 mm (31 1/4")	644 mm (25 3/8")	494 mm (19 5/8")
Distance between fixing points X	900 mm (35 1/2")	480 mm (18 7/8")	490 mm (19 1/4")	340 mm (13 3/8")
Series	899 749 599	899	749	599

Mounting panels to the door and the drawer of Integrated units



Once all brackets and small brackets have been applied to the panels, you can begin installing the bottom drawer.

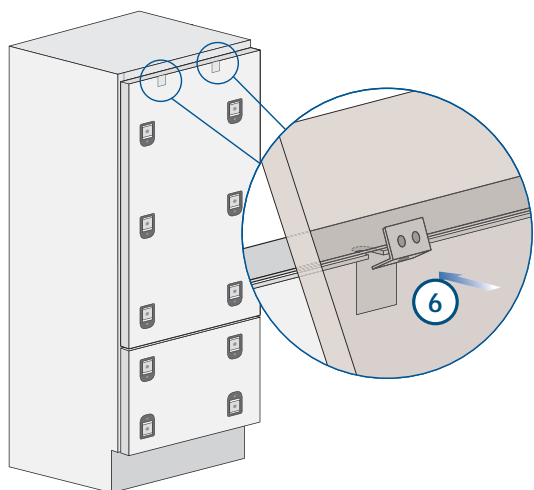
Operate as follows:

- Partially tighten the screw to the fixing ①.

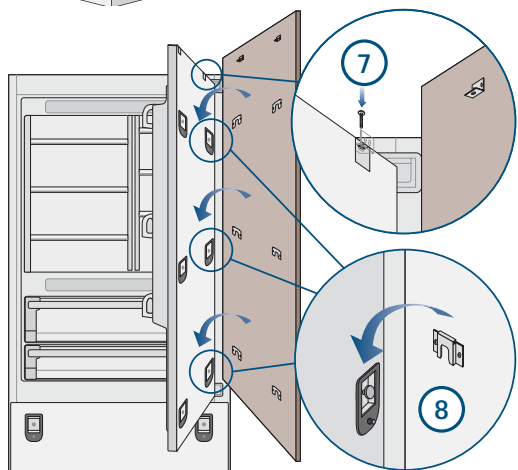
- Hook the bottom drawer panel starting from the fixings on the bottom ②.

- It is now possible to align panels to adjacent cabinets in height using the lower alignment brackets, ③ tightening or untightening the screws into position as needed. With the screw slightly tightened, move the panel sideways to align it to the other panels on the unit or other adjacent structures.

- Depth alignment: working from the inside of the drawer, after lifting up the magnetic seal, adjust the panel position so it is closer to or further away from the door using the holes ④ and then secure the panel using the holes ⑤.

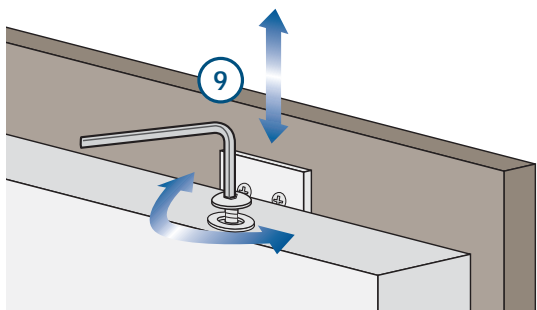


■ Hook the panel to the fixing devices starting from the top aligning brackets (6).

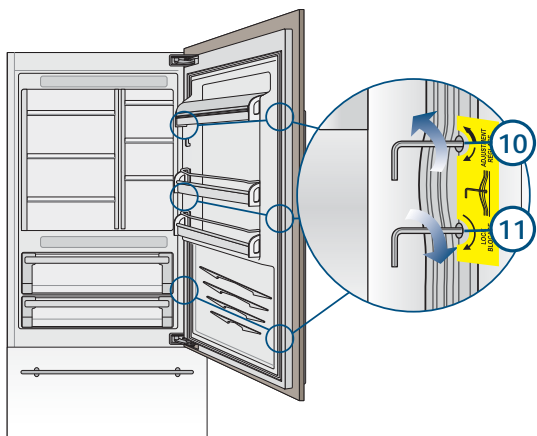


■ At this point, alignment between the panel and adjacent cabinets can be adjusted using the alignment brackets and small brackets (7) and (8).

■ Vertical alignment: tighten or loosen the screw in the brackets to raise or lower the panel (9).



■ Depth alignment: working from the inside of the door, after lifting up the magnetic seal, adjust the panel position so it is closer to or further away from the door using the holes (10) and then fix the panel in position using the holes (11).





IMPORTANT: The following instruction for installation apply to all Fhiaba models.

Installation

Built-in installation single appliance

For a built-in installation, to close gaps between the appliance and the adjacent cabinets, special side profiles and aluminum covering frames are provided.

Operate as follows:

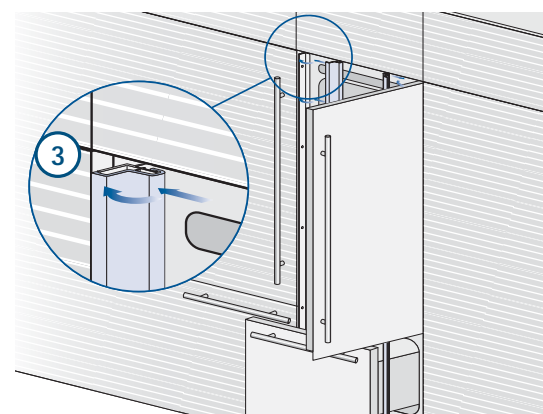
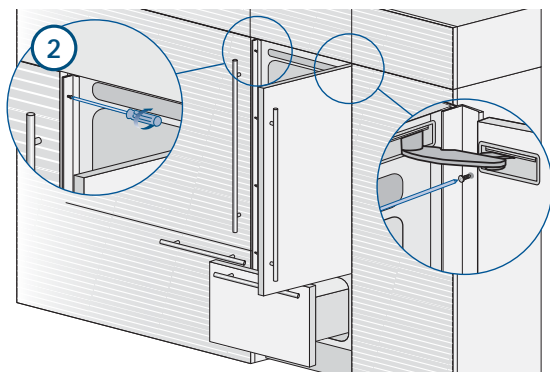
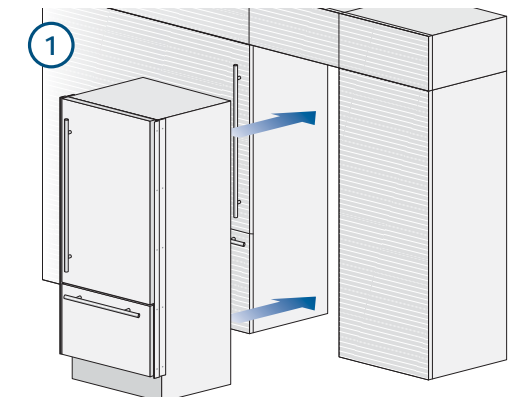
- Push the appliance into the installation niche ①.

- If the unit is to be installed inside a niche or within an enclosed structure, it is necessary to design a ventilation shaft at the back of the niche to assure proper ventilation at the back of the unit. A 5 mm (1/4") gap is sufficient to prevent overheating. Always mount front panels on door and drawer before pushing the unit into its final position inside the niche or structure.

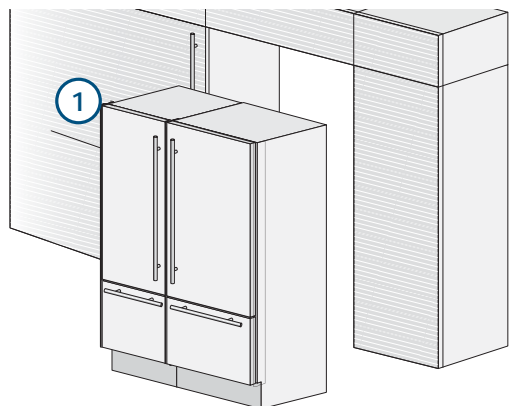
- Secure the appliance to the adjacent cabinets by fixing to these the side profiles previously mounted on the appliance ②. To make this operation easier keep the door and the drawer open.

- Check the levelling of the appliance, adjusting its feet and wheels to correct it.

- Mount the profiles the covering frames: first insert them laterally and then push firmly until a "click" is heard ③.



Built-in installation two or more appliances



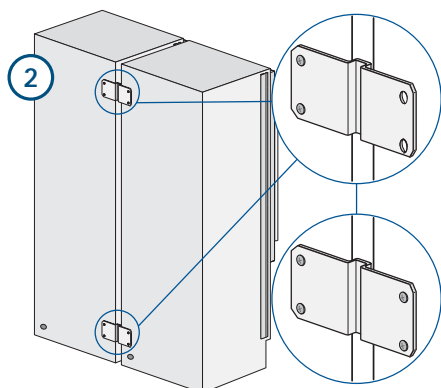
Required accessories to be ordered separately:

- Central connection Kit (KCC)

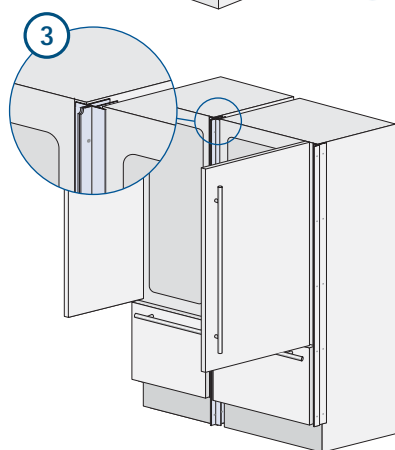
Special side profiles and aluminum covering frames are provided for closing gaps between the appliance and the adjacent cabinets.

Operate as follows:

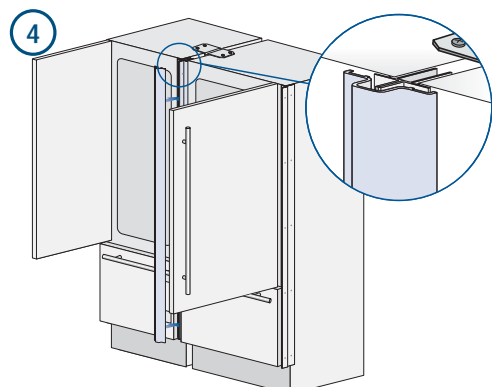
- Position the appliances in front of the installation area, leaving enough space to operate at their back (1).



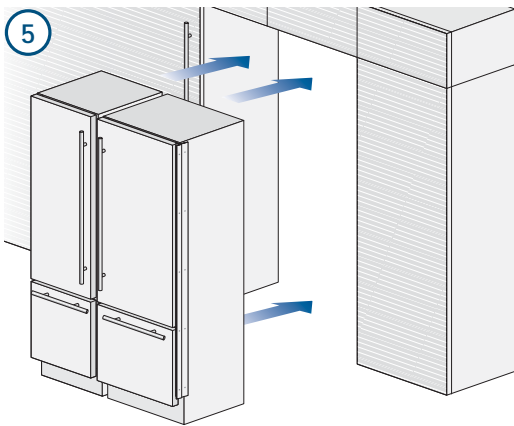
- Move at the back of the appliances to mount the joining brackets: fix on side of the top and lower brackets to one of the appliances and subsequently to the other (2).



- Place the two units side by side and join them at the front attaching the two profiles with the supplied screws (3).

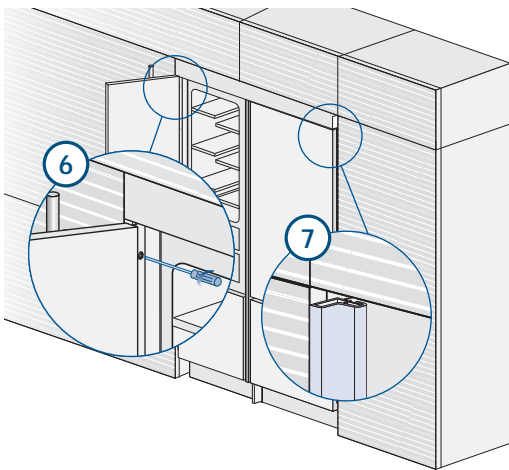


- Finish off by mounting the central cover frame onto the central profiles, by pushing it until a click is heard (4).



- Once the previous steps are complete, push the units in their final position ⑤.
If the units are to be installed inside a niche or within an enclosed structure, it is necessary to design a ventilation shaft at the back of the niche to assure proper ventilation at the back of the unit. A 5 mm gap is sufficient to prevent overheating. Always mount front panels on door and drawer before pushing the unit into its final position inside the niche or structure.

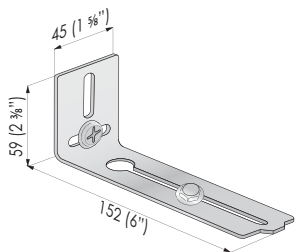
- Check the levelling of the appliance, adjusting its feet and wheels to correct it.



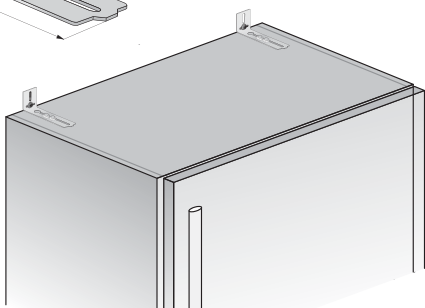
- Secure the appliance to the adjacent cabinets by fixing to these the side profiles previously mounted on the appliance ⑥.
To make this operation easier keep the door and the drawer open.

- Mount the covering frames onto the profiles, first insert them laterally and then push firmly until a "click" is heard ⑦.

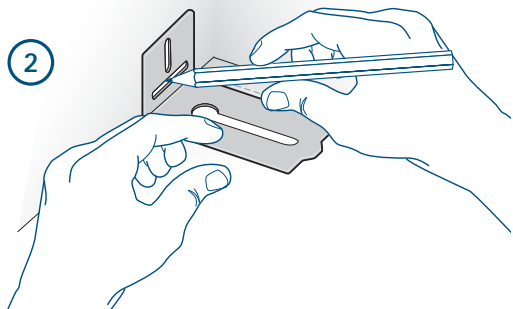
Anti-tipping safety assembly



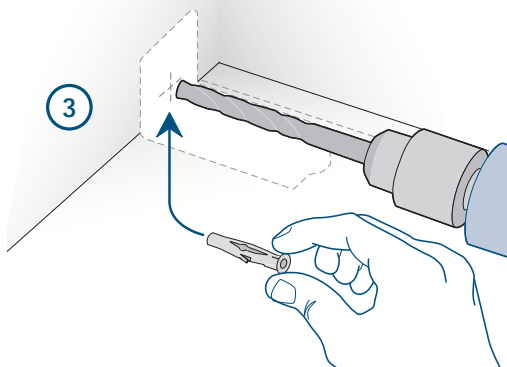
①



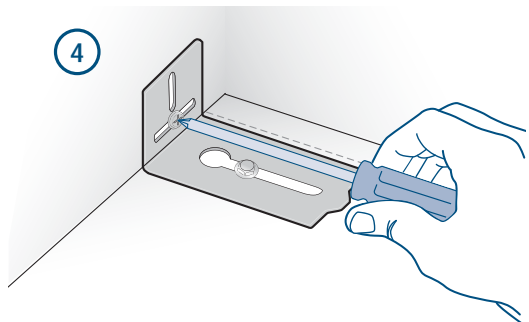
②



③



④



To prevent the appliance from tipping over an extra-long kit is available up on request if the appliance needs to remain distanced from the wall, it is mandatory to install two brackets on the upper part of the appliance for fixing it securely to the wall.

Operate as follows:

- The brackets should be applied as illustrated using the provided screws and expansion plugs. Place a bracket on the top of the appliance in correspondence to the fixing holes and against the wall ①.

- Mark up the holes position on the wall ②.

- Drill the wall with an 8 mm (3/8") bit and insert the expansion plug ③.

- Reposition the bracket and fix it first to the cabinet and then to the wall ④.



To avoid danger of the appliance tipping over it is mandatory to secure the appliance to the wall by means of two special brackets.

Anti-tipping safety assembly

To avoid danger of the appliance tipping over when opening full doors and drawers, it is mandatory to install two brackets on the upper part of the appliance for fixing it securely to the wall. The brackets should be applied as illustrated using the provided screws and expansion plugs.

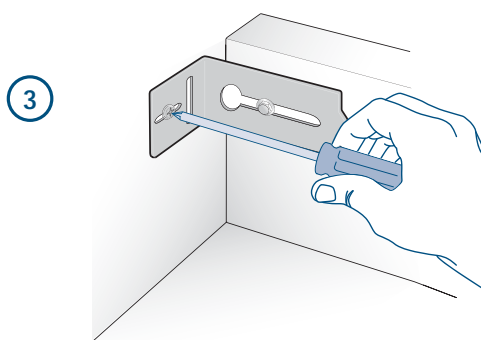
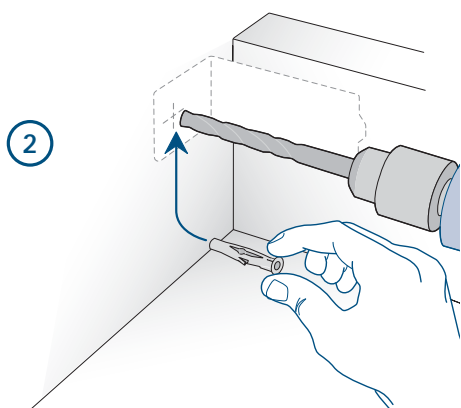
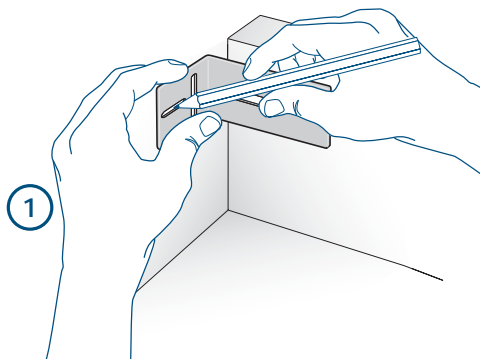
Operate as follows:

- Place a bracket on the top of the appliance in correspondence to the fixing holes and against the wall ①.

- Mark up the holes position on the wall ②.

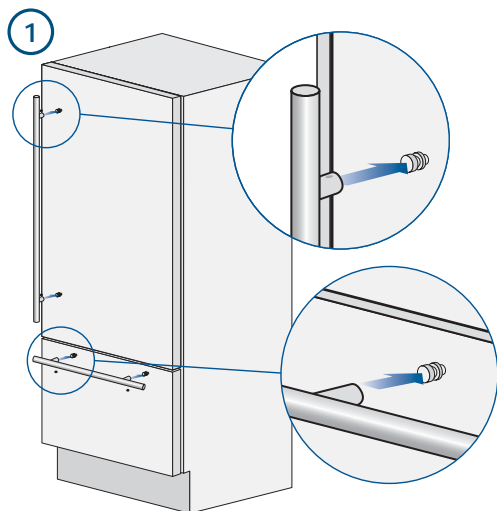
- Drill the wall with an 8 mm (3/8") bit and insert the expansion plug ③.

- Reposition the bracket and fix it first to the cabinet and then to the wall ④.



To avoid danger of the appliance tipping over it is mandatory to secure the appliance to the wall by means of two special brackets.

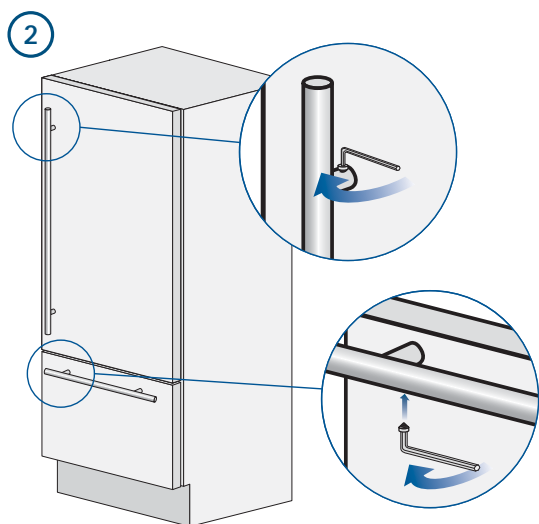
Mounting handles on stainless front



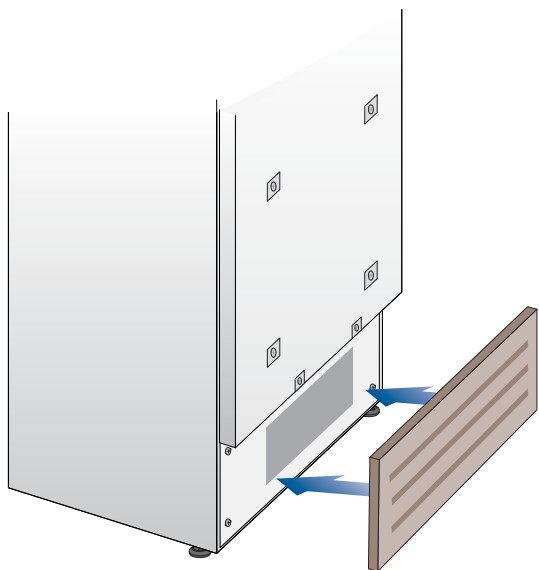
To mount the handles onto the door and the drawer operate as follows:

Operate as follows:

- Insert the two handle spacers onto the supports already available on the door and the drawer ①.
- Screw in the Allen screws available on the handle ②.




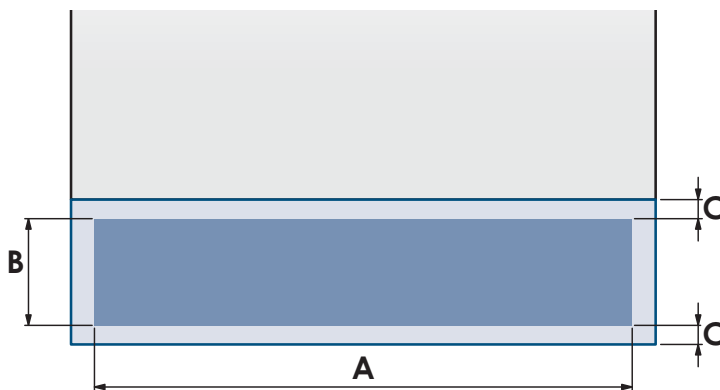
The screws must be tightened in by means of a 2.5 mm (1/8") hex wrench.



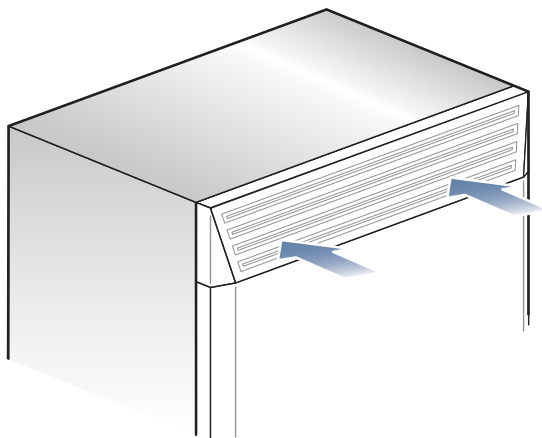
A forced air system assures ventilation through a grille positioned in the lower front part of the unit. If the kitchen design includes a kickplate, the latter has to be punched in order to maintain a satisfactory air flow, as described in the drawing. Holes can be in any shape and size, as long as the total area of the punched part equals 50% of the kickplate area.

In this case, to guarantee a better air flow, it is advisable to remove the front grille included with the unit. The grille is secured to the unit with magnetic plates and can be easily removed even by the end user, to provide for regular cleaning procedures and remove dust. If the grille is partially covered by the kitchen kickplate, it is advisable to remove the grille in order to provide for a better airflow.

	36 Series	30 Series	24 Series
A	860 (33 7/8")	740 (29 1/8")	560 (22")
B	> 100 (4")		
C	10 (3/8")		
	50%		



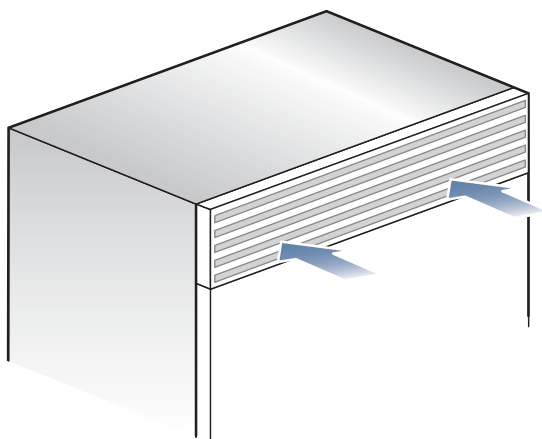
Ventilation



Ventilation is insured by a forced air system through a grille located in the upper part of the appliance.

This grille should never be covered by panels or any other devices that could reduce its efficiency.

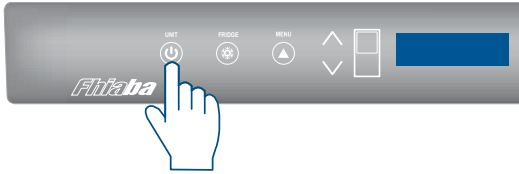
Please refer to page 5-6 to ensure correct air circulation.




Post installation control

- Check that the front levelling feet have been properly installed.
- Check that the connection to the water system does not have any leaks and that the closing tap is easily accessible.
- Check that the electrical connection is correctly installed and that the multipole switch and socket are easily accessible.
- Check the perfect alignment of the appliance with adjacent structures.
- Check that all adhesive tape and external or internal temporary protective devices have been removed.
- Check the perfect closing of the doors and the smooth sliding of the drawers and shelves.


Start up

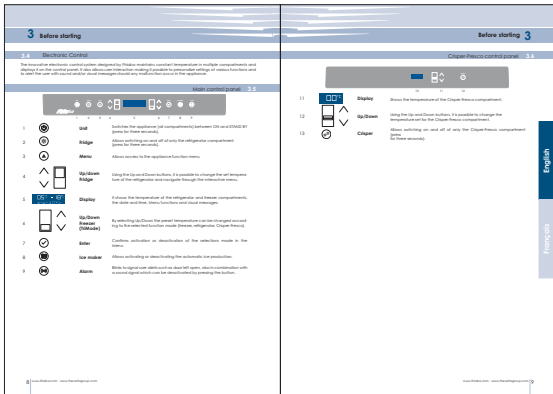


■ To start the appliance, connect the plug to the electrical mains: at this point, when opening the door, the control panel will usually visualize the message "Stand by", and all the panel keys be off

■ To turn on all the appliance compartments, press the Unit  button for three seconds. The display will show the message "Initial test" for approx. 2 minutes. After this phase the compressors will start up and remain on until the default temperature set up in the factory is reached. Do bear in mind that this condition could last several hours.

If the appliance is provided with an Ice Maker, prior to switching it on make sure that the water filter cartridge is installed, then fill the water system. To this purpose switch off the Ice Maker and performe a manual clean procedure.

At the end switch the Ice Maker on again by touching the  button.



■ For further information about the appliance operation, refer to the User Manual.



If at the first start - up the message Stand by does not appear, but other messages appear, such as Fridge too warm, Fresco too warm, Freezer too warm, or sound signals are activated, it means that the appliance has already started the cooling process.

If this is the case, deactivate any possible acoustic signals by pressing the Alarm button, close the door and wait until the set temperature is reached.



It is necessary to let the unit reach the correct temperature before foods are stored inside.



On models with a dedicated Fresco compartment, the Fresco compartment cools to the set temperature (default 0°C / 32°F) prior to the cooling system switching to the main refrigeration compartment.



IMPORTANT

- Les dimensions entre parenthèses sont en pouces: mm(in).
- Les poids entre parenthèses sont en livres: kg(lb).
- Les températures entre parenthèses sont en °F: °C (°F).

Indications importantes

- Page 3 Indications importantes concernant la sécurité
Pour la sécurité des enfants

Caractéristiques techniques

- 3 Caractéristiques de l'appareil et conditions requises pour l'installation
4 Caractéristiques de la niche d'installation Integrated
5 Caractéristiques de la niche d'installation StandPlus
6 Caractéristiques de la niche d'installation X-Pro

Préparation à l'installation

- 7 Transport sur le lieu d'installation et déballage
8 Dimensions de l'encastrement et Styles d'installation: Série Integrated
8 Dimensions de l'encastrement et Styles d'installation: Série StandPlus et série X-Pro
9 Types d'installation
10 Raccordements électrique et hydraulique
13 Mise à niveau

Montage des panneaux

- 14 Préparation des panneaux décoratifs pour la porte et Grands bacs
16 Préparation des panneaux décoratifs pour Réfrigérateur avec un Grand bac
17 Préparation des panneaux décoratifs pour Réfrigérateur avec deux Grand bac
18 Préparation des panneaux décoratifs pour Réfrigérateur avec porte vitrée et un Grand bac
19 Préparation des panneaux décoratifs pour Réfrigérateur avec porte vitrée et deux Grand bac
20 Dimensions des panneaux - Modèles avec un Grand Bac
21 Dimensions des panneaux - Modèles avec deux Grands bacs
22 Montage des poignées: Série Integrated
23 Fixation des panneaux à la porte et au Grand bac: Série Integrated

Installation dans la niche

- 25 Encastrement appareil unique
26 Encastrement combinaison

Achèvement de l'installation

- 28 Montage de la sécurité anti-renversement
30 Montage des poignées sur le devant inoxydable
31 Circulation de l'air
32 Ventilation
33 Contrôle de fin d'installation
34 Mise en marche



Indications importantes concernant la sécurité

Symboles utilisés dans le manuel



Important

Indications afin d'éviter tout endommagement de l'appareil



Note

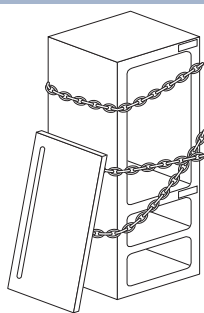
conseils pour une correcte utilisation de l'appareil



Attention

indications afin d'éviter toute lésion aux personnes

Pour la sécurité des enfants



Si cet appareil remplace un autre appareil déjà existant qui doit être mis de côté ou éliminé, veiller à ce que celui-ci ne devienne pas un dangereux piège pour les enfants, en coupant le câble d'alimentation et en rendant impossible la fermeture de la porte.

Caractéristiques de l'appareil et conditions requises pour l'installation

Dimensions de l'appareil Integrated	FI24	I: 599 mm (23 5/8") / h: 2120 mm (83 1/2") / p: 610 mm (24")
	FI30	I: 749 mm (29 1/2") / h: 2120 mm (83 1/2") / p: 610 mm (24")
	FI36	I: 899 mm (35 3/8") / h: 2120 mm (83 1/2") / p: 610 mm (24")
Dimensions de l'appareil StandPlus	FM24	I: 599 mm (23 5/8") / h: 2120 mm (83 1/2") / p: 629 mm (24 3/4")
	FM36	I: 899 mm (35 3/8") / h: 2120 mm (83 1/2") / p: 629 mm (24 3/4")
Dimensions de l'appareil X-Pro	FP24	I: 599 mm (23 5/8") / h: 2120 mm (83 1/2") / p: 635 mm (25")
	FP30	I: 749 mm (29 1/2") / h: 2120 mm (83 1/2") / p: 635 mm (25")
	FP36	I: 899 mm (35 3/8") / h: 2120 mm (83 1/2") / p: 635 mm (25")
Dimension de emballé	Série 24"	I: 650 mm (25 5/8") / h: 2260 mm (89") / p: 800 mm (31 1/2")
	Série 30"	I: 800 mm (31 1/2") / h: 2260 mm (89") / p: 800 mm (31 1/2")
	Série 36"	I: 950 mm (37 3/8") / h: 2260 mm (89") / p: 800 mm (31 1/2")
Poids avec emballage	Série 24"	max 230 kg (507 lb)
	Série 30"	max 275 kg (606 lb)
	Série 36"	max 295 kg (650 lb)
Tension d'alimentation	Modèle européen: AC 220-240V 50 Hz / Modèle américain: 110V 60Hz	
Câble d'alimentation	Modèle européen: doté de fiche Schuko 16 A / Modèle américain: 15A	
Pression d'alimentation de l'eau potable	de 0.05 MPa à 0.5 MPa (0.5 Bar - 5 Bar)	
Tuyau d'alimentation de l'eau	fourni, raccord femelle 3/4", indiqué pour aliments	
Accessoires pour l'installation fournis	<ul style="list-style-type: none"> ■ kit fixation des panneaux sur demande ■ Kit Anti-renversement (B04000200) ■ kit de raccordement latérale (KCLIT/KCLIH) ■ clé à six pans de 4 mm (1/8") 	
Équipement nécessaire	<ul style="list-style-type: none"> ■ tournevis cruciforme ■ perceuse à bois et à percussion ■ pointe pour bois de 2.5 mm (1/8") ■ pointe pour mur de 8 mm (3/8") ■ clé ouverte de 17 mm (3/4") 	
Réglage de la hauteur des rouleaux arrière	13 mm (1/2") douille	

Caractéristiques de la niche d'installation: Série Integrated

A espace à réserver aux équerres anti-renversement

Hauteur de l'encastrement

2134 mm (84")

Largeur de l'encastrement

FI36: 900 mm (35 1/2")

FI30: 750 mm (29 5/8")

FI24: 600 mm (23 3/4")

Encombrement avec porte ouverte

FI36: 1470 mm (57 7/8")

FI30: 1320 mm (52")

FI24: 1170 mm (46")

Angle d'ouverture de la porte

105°

Largeur

FI36: 899 mm (35 3/8")

FI30: 749 mm (29 1/2")

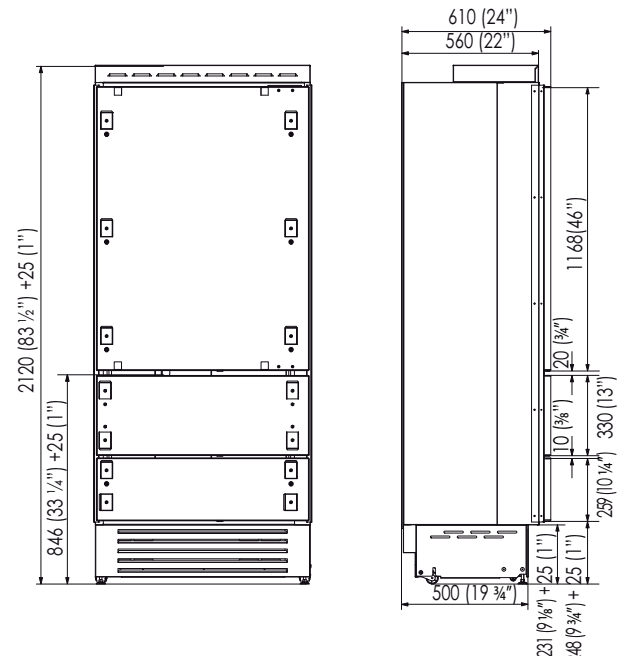
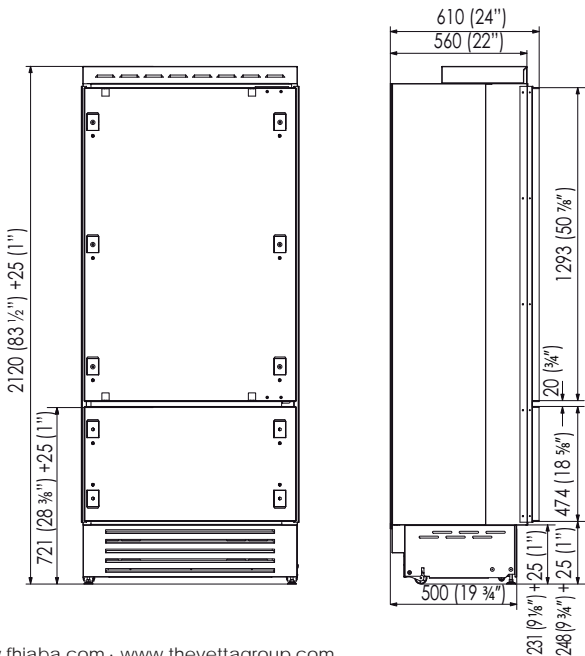
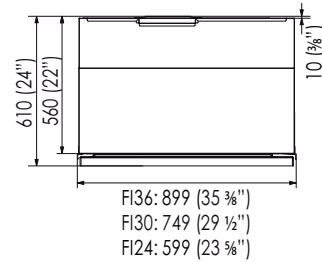
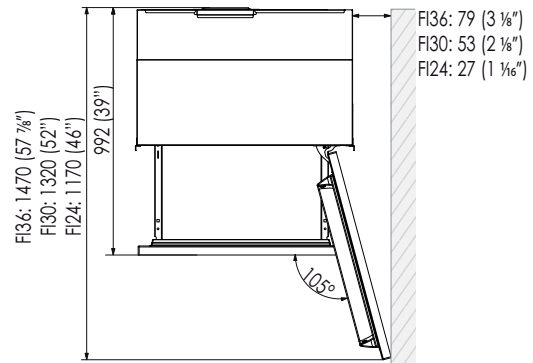
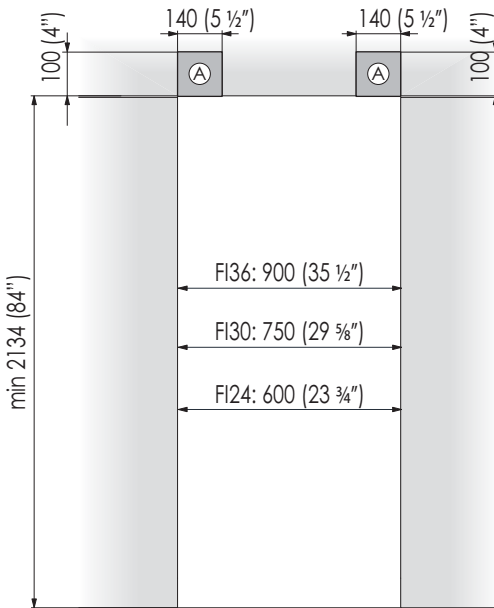
FI24: 599 mm (23 5/8")

Hauteur

2120 mm (83 1/2") + 25 mm (1")

Profondeur (sans panneau)

610 mm (24")



Caractéristiques de la niche d'installation: Série StandPlus

A espace à réserver aux équerres anti-renversement

Hauteur de l'encastrement

2134 mm (84")

Largeur de l'encastrement

FM36: 900 mm (35 1/2")

FM24: 600 mm (23 3/4")

Encombrement avec porte ouverte

FM36: 1470 mm (57 7/8")

FM24: 1170 mm (46")

Angle d'ouverture de la porte

105°

Largeur

FM36: 899 mm (35 3/8")

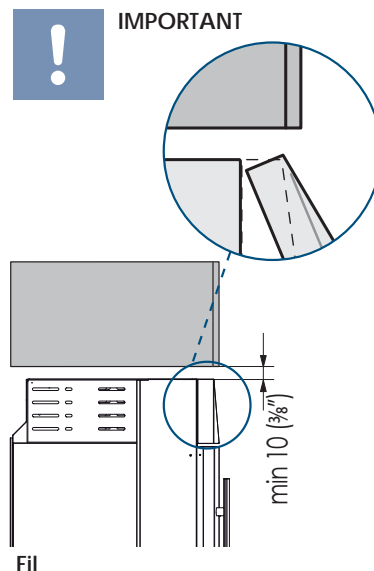
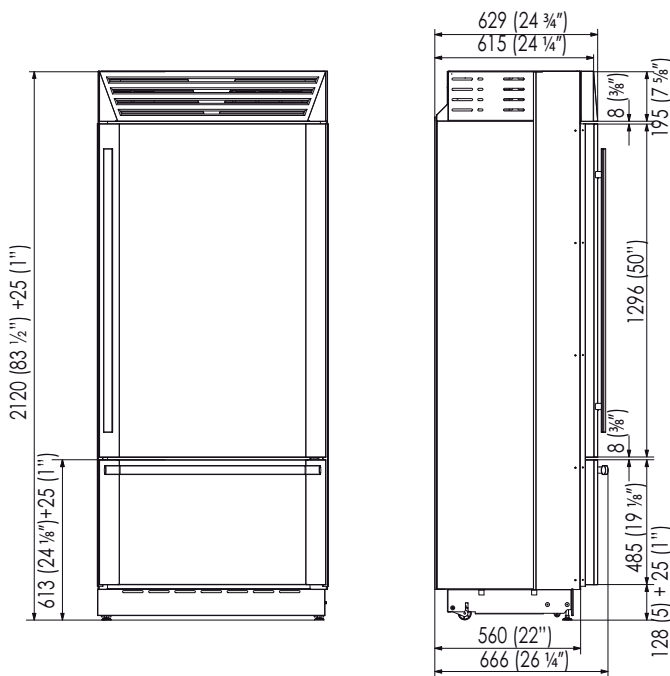
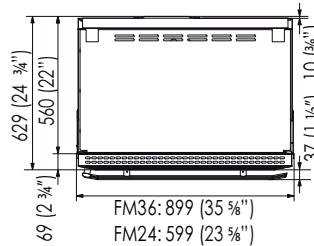
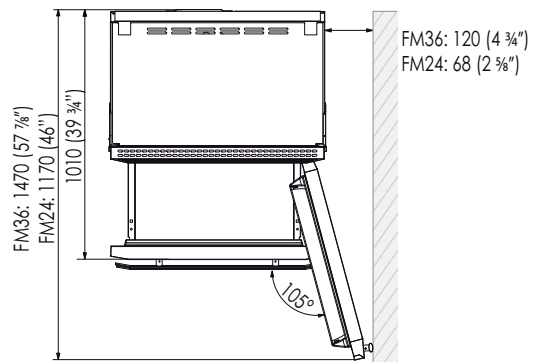
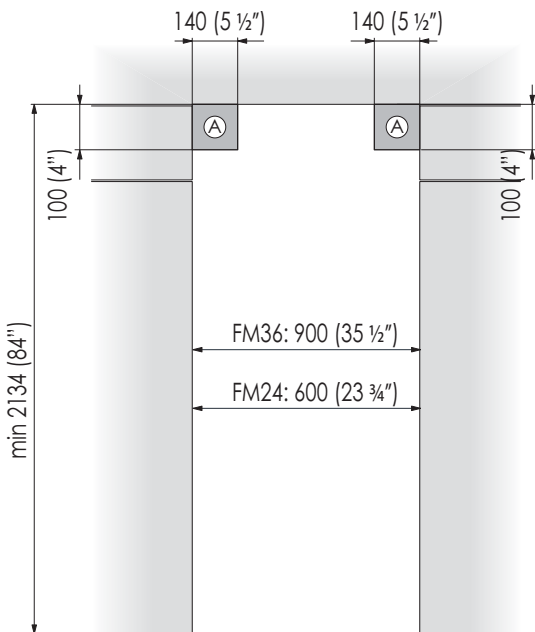
FM24: 599 mm (23 5/8")

Hauteur

2120 mm (83 1/2") + 25 mm (1")

Profondeur

629 mm (24 3/4")



Caractéristiques de la niche d'installation: Série X-Pro

A espace à réserver aux équerres anti-renversement

Hauteur de l'encastrement

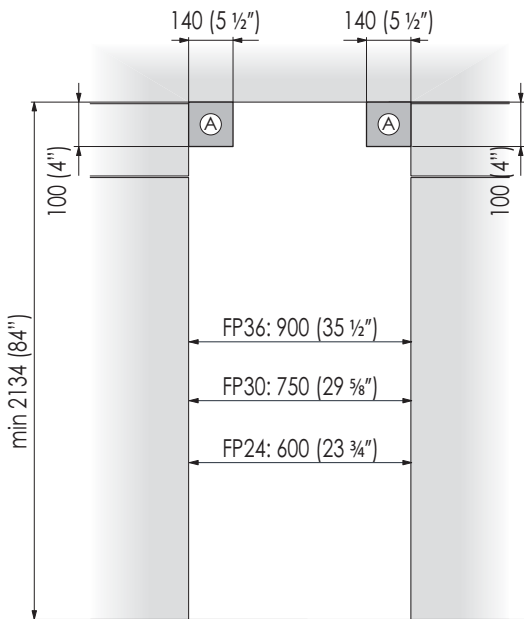
2134 mm (84")

Largeur de l'encastrement

FP36: 900 mm (35 1/2")
 FP30: 750 mm (29 5/8")
 FP24: 600 mm (23 3/4")

Encombrement avec porte ouverte

FP36: 1470 mm (57 7/8")
 FP30: 1320 mm (52")
 FP24: 1170 mm (46")



Angle d'ouverture de la porte

105°

Largeur

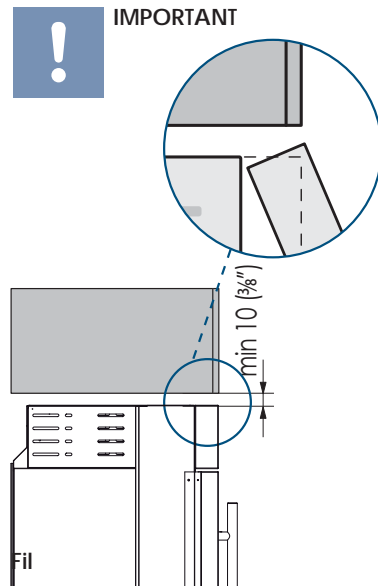
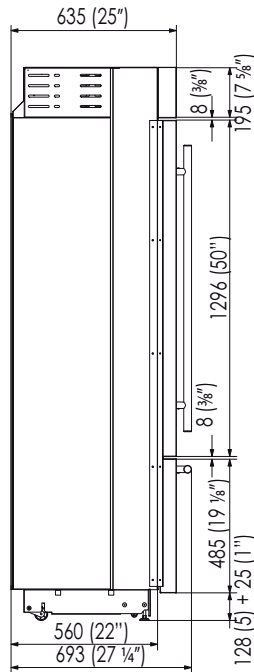
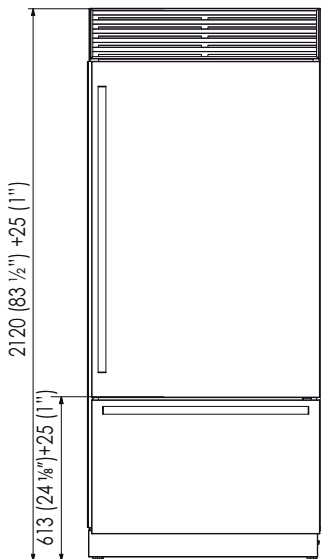
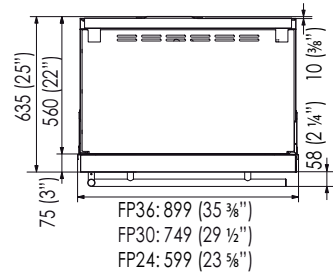
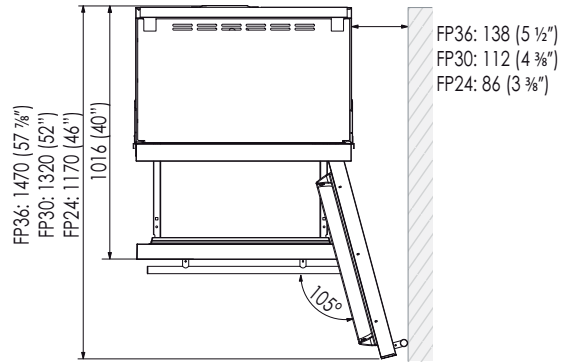
FP36: 899 mm (35 3/8")
 FP30: 749 mm (29 1/2")
 FP24: 599 mm (23 5/8")

Hauteur

2120 mm (83 1/2") + 25 mm (1")

Profondeur

635 mm (25")



Préparation à l'installation

Transport sur le lieu d'installation et déballage

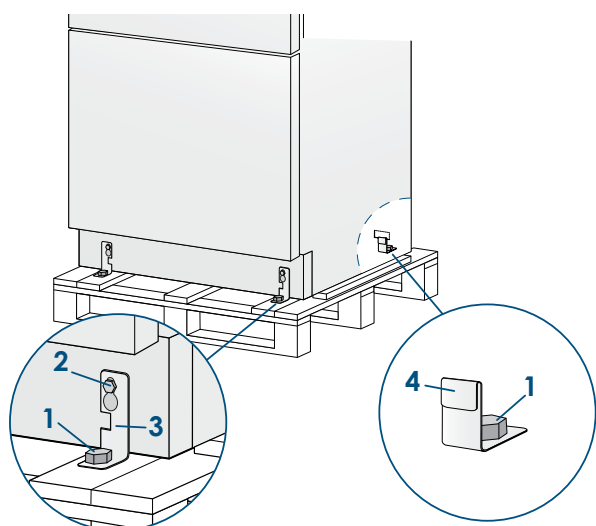
S'agissant d'un appareil lourd et de grandes dimensions, avant de transporter l'appareil, s'informer sur les modalités d'accès au lieu où il sera installé (dimensions des portes, espaces de mouvement dans les escaliers, etc.).

L'appareil est fixé à la base de l'emballage (palette) moyennant quatre boulons amovibles avec une clé de 17 mm (3/4»).

Il est conseillé d'utiliser un transporteur manuel pour manutentionner l'appareil jusqu'à la zone où celui-ci sera installé et seulement alors retirer la base de l'emballage.

L'appareil devrait toujours être transporté en position verticale. Si cela n'est pas possible, transporter l'appareil couché sur le dos.

Une fois que l'on a atteint la zone prévue pour l'installation, enlever les emballages, faire descendre l'appareil de la palette emballages et faire descendre l'appareil de la palette.



Intervenir de la manière suivante:

- Enlever les quatre boulons (1) qui fixent l'appareil à la palette en utilisant une clé ouverte de 17 mm (3/4»).
- Retirer les crochets de fixation (3) et (4).
- Pour retirer le crochet de fixation (3), dévisser pour un ou deux tours le boulon de réglage (2) de la roue arrière en utilisant une clé à douille de 13 mm (1/2»).
- De l'arrière de l'unité et au moyen d'un chariot diable de caractéristiques appropriées, retirer l'appareil et le poser sur le sol.



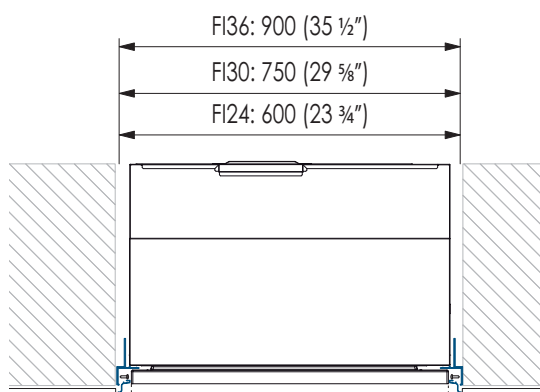
L'appareil est très lourd.
Faire très attention durant la manipulation afin d'éviter tout dommage aux personnes et aux choses.



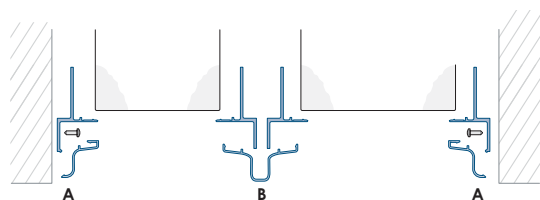
Transporter l'appareil en position verticale.
Éviter de manière absolue le transport sur la partie frontale.

Faire très attention afin d'éviter tout dommage au sol. Les sols particulièrement délicats doivent être protégés avec des panneaux de faésite, compensé ou autre matériau adéquat.

Dimensions de l'encastrement et Styles d'installation: Série Integrated



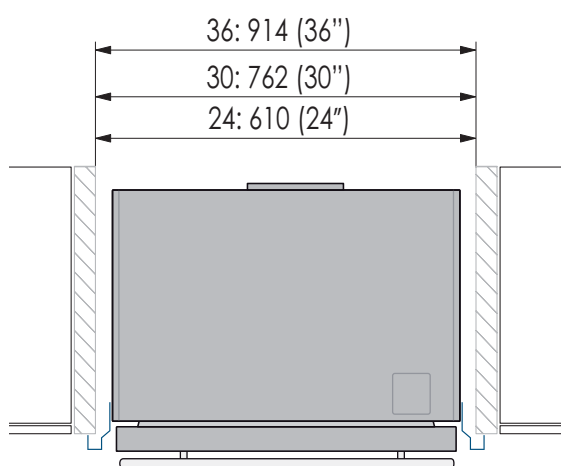
Série	Niche	Largeur de panneaux
FI36	900 (35 1/2")	897 (35 1/4")
FI30	750 (29 5/8")	747 (29 3/8")
FI24	600 (23 3/4")	597 (23 1/2")



A KCLIT: Kit raccordement lateral (non compris - doit être commandé comme accessoire séparé)
B KCCIT: Kit raccordement central (non compris - doit être commandé comme accessoire séparé)

Dimensions de l'encastrement et Styles d'installation: Série StandPlus et X-Pro

Stand-Proud

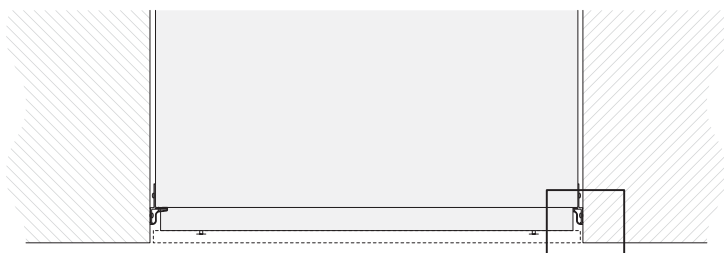


Série	NICHE	
	MIN	MAX
36	900 (35 1/2")	914 (36")
30	750 (29 5/8")	762 (30")
24	600 (23 3/4")	610 (24")

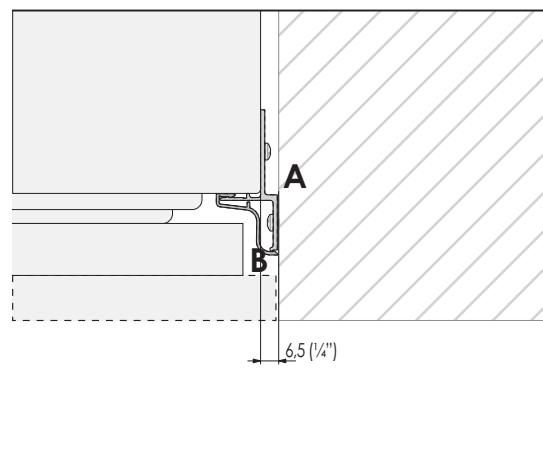
KCLXB: Kit raccordement lateral (non compris - doit être commandé comme accessoire séparé)

Types d'installation

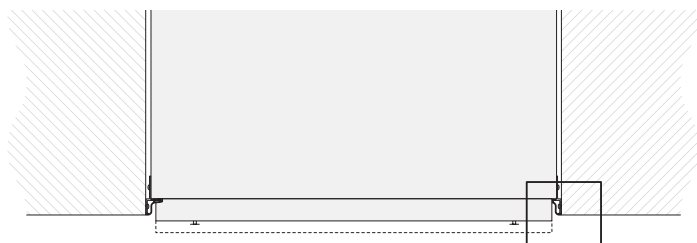
Montage à fleur avec des garnitures en aluminium standards



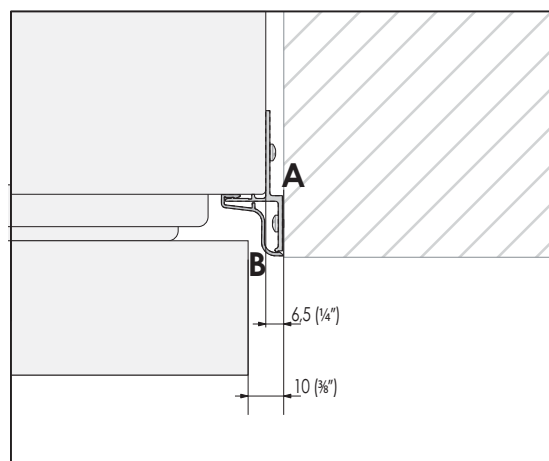
- A** KCLIT: Kit raccordement lateral (non compris - doit être commandé comme accessoire séparé)
- B** KCCIT: Kit raccordement central (non compris - doit être commandé comme accessoire séparé)



L'installation Prominent avec des garnitures en aluminium standards

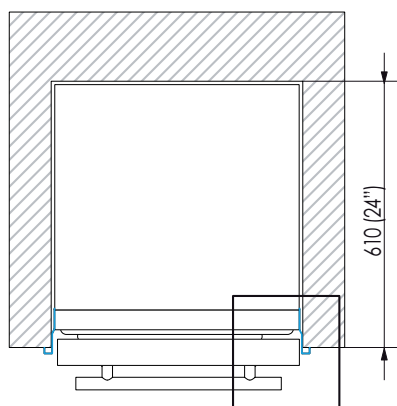


- A** KCLIT: Kit raccordement lateral (non compris - doit être commandé comme accessoire séparé)
- B** KCCIT: Kit raccordement central (non compris - doit être commandé comme accessoire séparé)

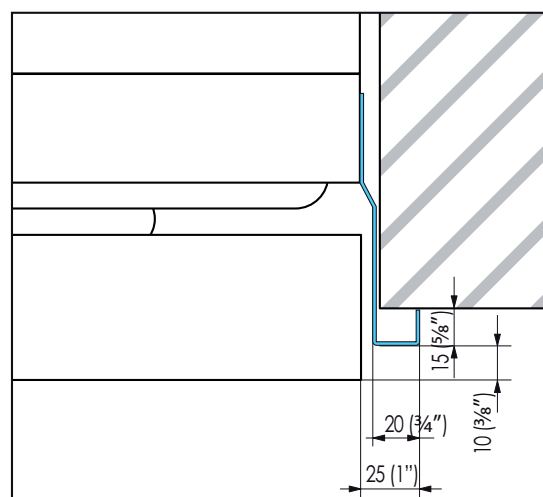


Stand-Proud (pur Série StanPlus et X-Pro)

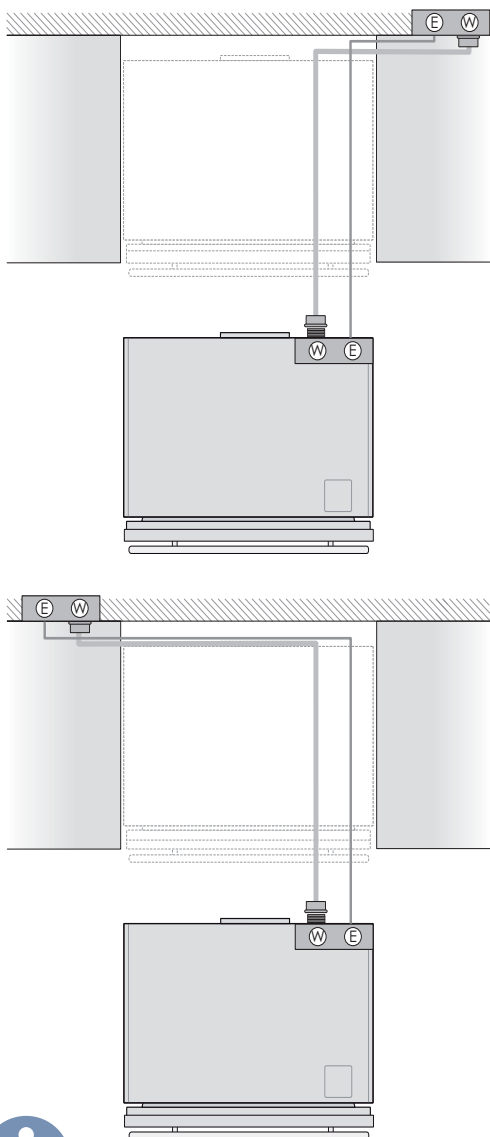
Niche 610 mm (24'')



- KCLXB**: Kit raccordement lateral (non compris - doit être commandé comme accessoire séparé)



Raccordements électrique et hydraulique



Les appareils sont livrés de l'usine pour le fonctionnement à 230V AC - 50Hz (Europe, Royaume Uni et autres Pays) ou 115V AC - 60Hz (Etats-Unis et Canada).

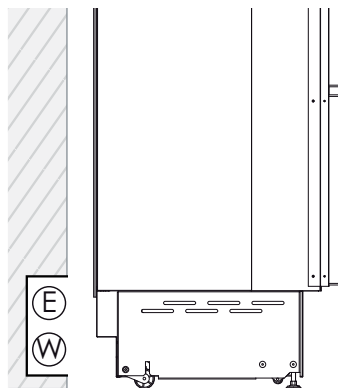
Un câble d'alimentation avec fiche équipé d'un contact de terre sont fournis pour la connexion à une prise de 16A (Europe, Royaume Uni et autres Pays) ou de 15A (Etats-Unis et Canada). Un disjoncteur doit également être installé et doit être facilement accessible afin de mettre hors tension l'appareil avant d'effectuer toute installation ou maintenance.

Pour le raccordement hydraulique (pour les appareils équipés de fabricant de glace) il faut prévoir un robinet avec raccord mâle de 3/4", facilement accessible même lorsque l'appareil est installé. Pour le raccordement au robinet, utiliser exclusivement le tuyau compris dans le Kit Utilisateur fourni avec l'appareil.

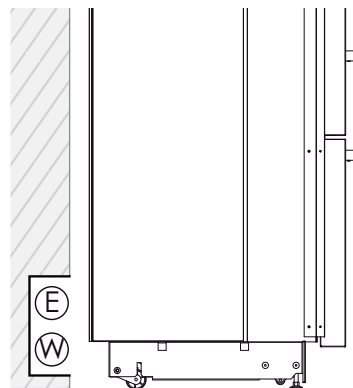
L'appareil doit être raccordé au réseau d'eau potable, en tenant compte des dispositions en vigueur dans le pays où l'appareil est installé et en ayant soin d'installer la cartouche du filtre à eau, fournie avec l'appareil, en suivant les instructions jointes.

Raccordements électrique et hydraulique derrière l'unité

Série Integrated



Série StandPlus et X-Pro



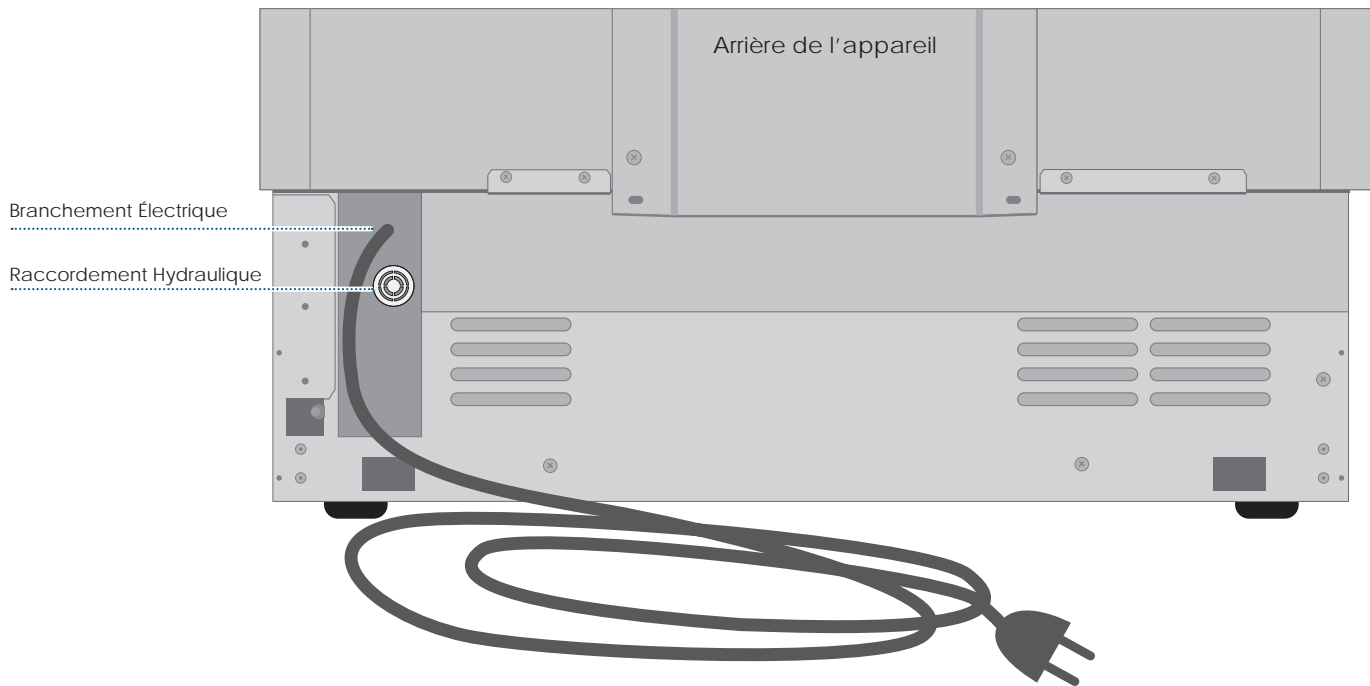
Le filtre Fhiaba ne peut pas rendre potable de l'eau qui n'est pas destinée à la consommation alimentaire.




Ne pas utiliser de réductions ou de rallonges.

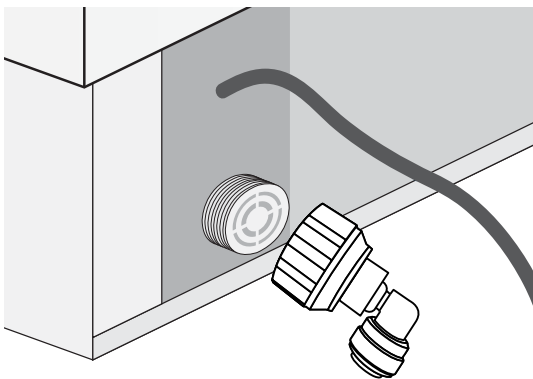


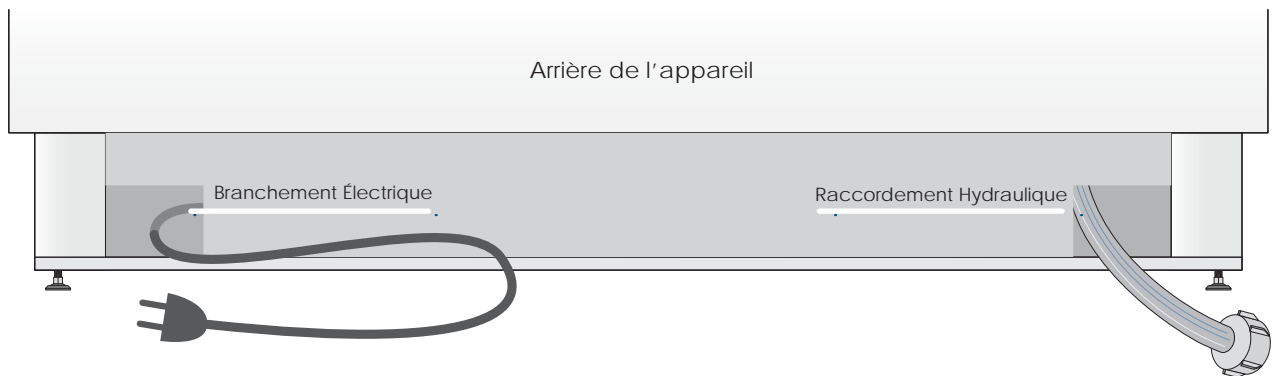
S'il faut fermer le robinet général, désactiver d'abord l'Ice Maker  à l'aide du Menu Fhiaba-Access (faire référence au Manuel d'utilisation).



Intervenir de la manière suivante:

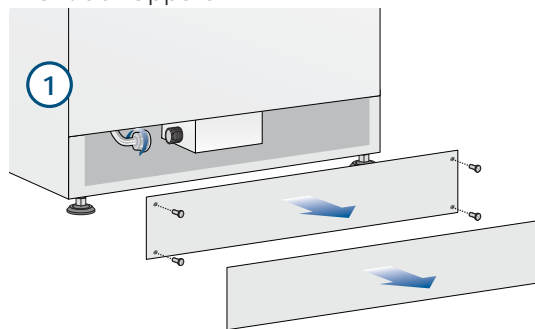
- Dérouler le câble électrique et le brancher directement à la prise murale.
- Contrôler que l'appareil soit en stand-by et que les voyants soient éteints; dans le cas contraire, appuyer sur la touche Unit  pour éteindre l'appareil.
- Raccorder le tuyau de l'eau au réfrigérateur dans la zone arrière.
- Raccorder le tuyau au robinet en utilisant les garnitures comprises à l'intérieur du Kit Utilisateur.




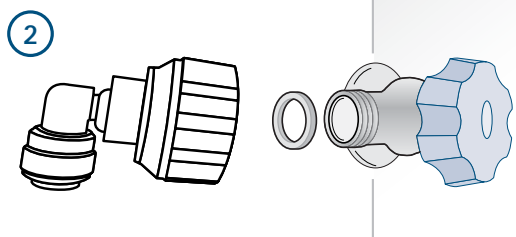


Intervenir de la manière suivante:

Avant de l'appareil



- Dérouler le câble électrique et le brancher directement à la prise murale.
- Contrôler que l'appareil soit en stand-by et que les voyants soient éteints; dans le cas contraire, appuyer sur la touche Unit  pour éteindre l'appareil.
- Reliez l'entrée d'eau avec la connection taraudée à la base de l'appareil **1**.
- Raccorder le tuyau au robinet en utilisant les garnitures comprises à l'intérieur du Kit Utilisateur **2**.

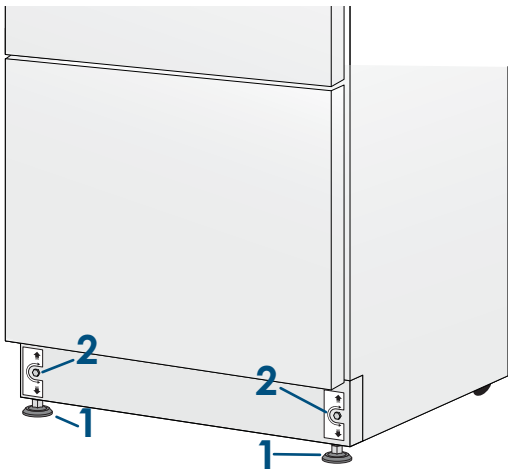


Mise à niveau

Mettre à niveau l'appareil en réglant les pieds et les roues arrière à la base de l'appareil.

Intervenir de la manière suivante:

- Après avoir enlevé le socle (ou grille) inférieur (il est fixé par des aimants), régler l' hauteur des pieds de mise à niveau ① en utilisant une clé ouverte de 17 mm (3/4«).
- Ensuite régler l' hauteur des roues arrière en tournant les boulons de réglage ② dans le sens horaire ou anti-horaire comme nécessaire.
- Remonter le socle (ou grille) inférieur ou la grille.



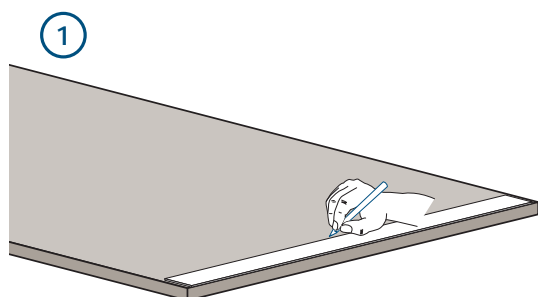
Préparation des panneaux décoratifs pour la porte et Grands bacs

Les dimensions des panneaux sont indiquées dans le tableau et sur les dessins reportés ci-dessous.

Selon les exigences d'alignement avec d'autres meubles de la cuisine, le panneau de la porte du réfrigérateur peut être plus haut par rapport à la ligne supérieure de la porte et le panneau inférieur peut être plus bas par rapport à la ligne inférieure du grand bac.

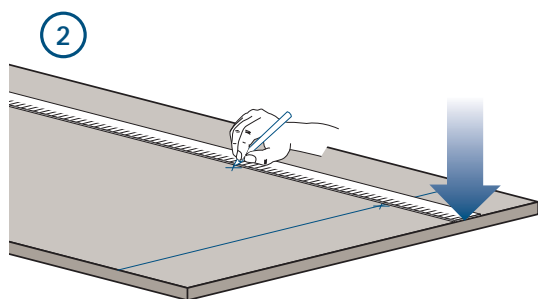
Les panneaux sont montés moyennant des brides spéciales qui s'accrochent aux dispositifs de fixation réglables déjà prévus sur porte et grand bac et moyennant des équerres qui bloquent et règlent verticalement le panneau.

Brides, équerres et vis de fixation correspondantes sont fournies avec l'appareil et sont appliquées au panneau en suivant le schéma de perçage reporté ci-dessous ou en utilisant le gabarit de perçage prévu à cet effet et fourni.



Intervenir de la manière suivante:

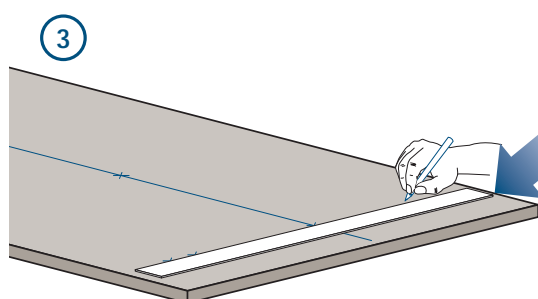
Pour appliquer les brides aux panneaux, procéder de la manière suivante. Il est recommandé de monter les équerres avant de monter la poignée.



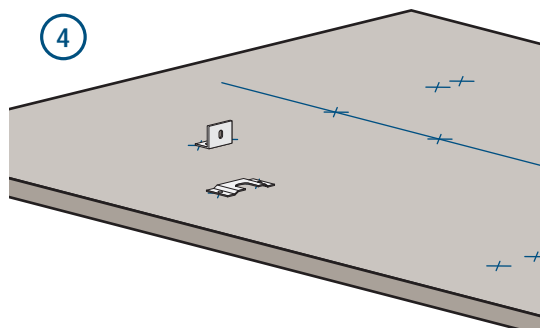
Panneau de la porte

■ Tracer une ligne qui divise verticalement le panneau en deux parties égales ①.

■ Partant du bas du panneau, marquer la hauteur à laquelle pratiquer les trous (pour la distance des trous, voir les pages 16-19) ②.

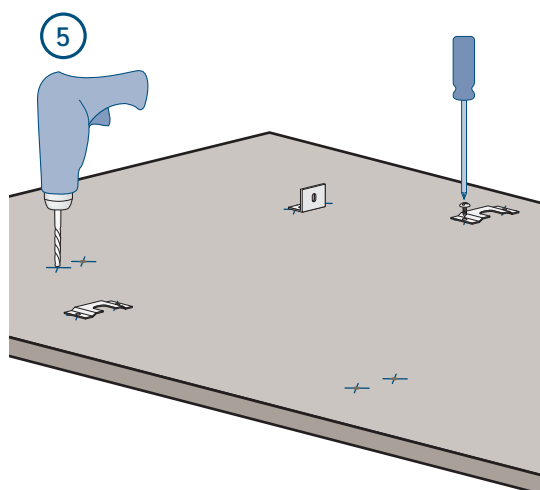


■ Suivre les données du tableau correspondant au modèle choisi, marquer d'abord le trou le plus externe et puis le plus interne ③.



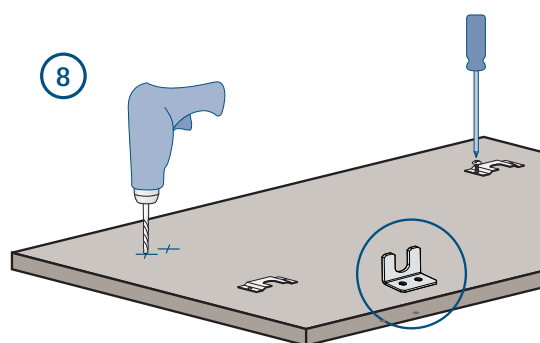
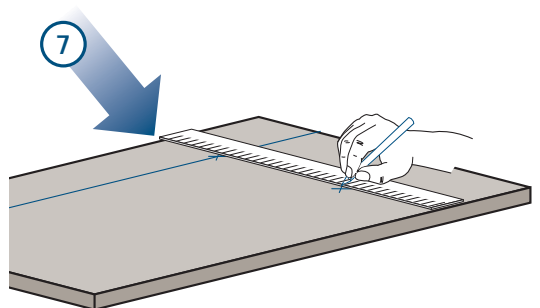
■ Vérifier la position des trous en appuyant les équerres sur les marques (4) puis pratiquer les trous en faisant attention à l'épaisseur du panneau (5).

■ Visser les équerres (6).

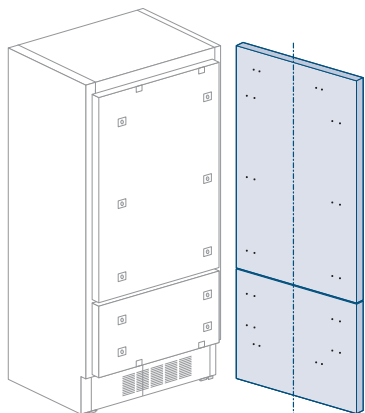


Panneau du grand bac

■ Pour le montage du panneau du grand bac, faire référence au montage du panneau de la porte, avec la différence que les mesures doivent être prises en partant du côté supérieur du panneau et non pas du côté inférieur comme dans le cas de la porte (7) et la bride est tournée de manière spéculaire à celle de la porte (8).

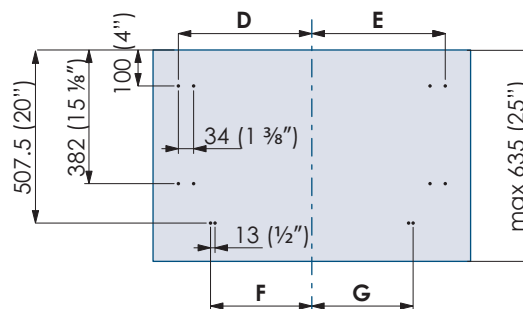
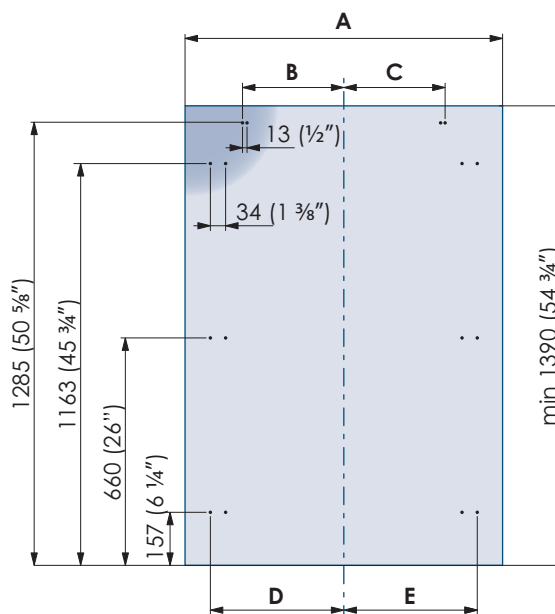
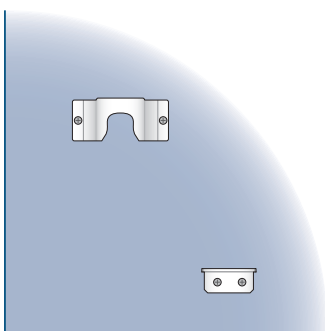
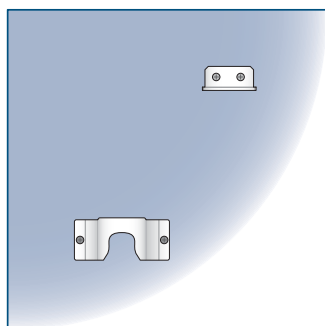


Préparation des panneaux décoratifs pour Réfrigérateur avec un Grand bac

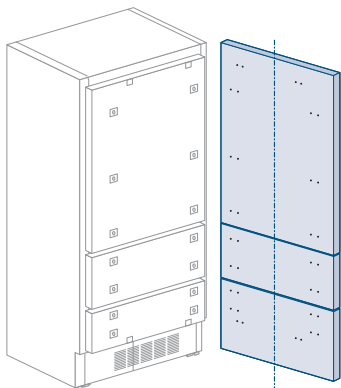


	Série 36		Série 30		Série 599	
	Charnière Gauche	Charnière Droite	Charnière Gauche	Charnière Droite	Charnière Gauche	Charnière Droite
A	897 (35 1/4")	897 (35 1/4")	747 (29 3/8")	747 (29 3/8")	597 (23 1/2")	597 (23 1/2")
B	355.5 (14")	261 (10 1/4")	279 (11")	187 (7 3/8")	205 (8 1/8")	111 (4 3/8")
C	261 (10 1/4")	355.5 (14")	187 (7 3/8")	279 (11")	111 (4 3/8")	205 (8 1/8")
D	418 (16 1/2")	386 (15 1/4")	343 (13 1/2")	311 (12 1/4")	276.5 (10 7/8")	236.5 (9 3/8")
E	386 (15 1/4")	418 (16 1/2")	311 (12 1/4")	343 (13 1/2")	236.5 (9 3/8")	276.5 (10 7/8")
F / G	354.5 (14")	354.5 (14")	279.5 (11")	279.5 (11")	203.5(8")	203.5(8")

Positionnement des trous

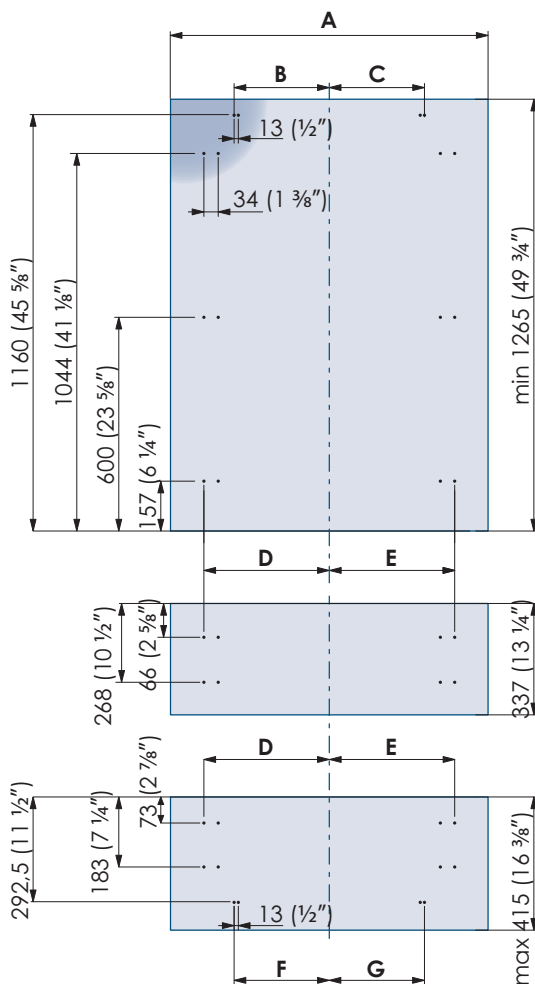


Préparation des panneaux décoratifs pour Réfrigérateur avec deux Grands bacs

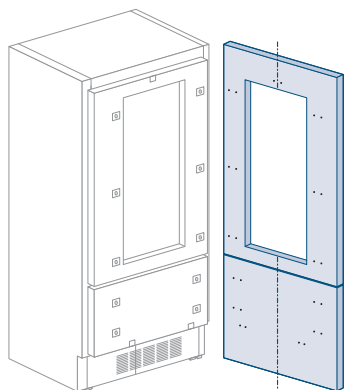


	Série 36		Série 30	
	Charnière Gauche	Charnière Droite	Charnière Gauche	Charnière Droite
A	897 (35 1/4")	897 (35 1/4")	747 (29 3/8")	747 (29 3/8")
B	355.5 (14")	261 (10 1/4")	279 (11")	187 (7 3/8")
C	261 (10 1/4")	355.5 (14")	187 (7 3/8")	279 (11")
D	418 (16 1/2")	386 (15 1/4")	343 (13 1/2")	311 (12 1/4")
E	386 (15 1/4")	418 (16 1/2")	311 (12 1/4")	343 (13 1/2")
F / G	354.5 (14")	354.5 (14")	279.5 (11")	279.5 (11")

Positionnement des trous



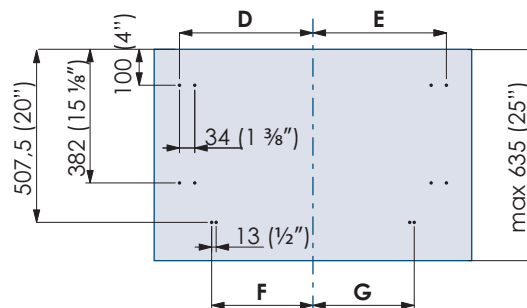
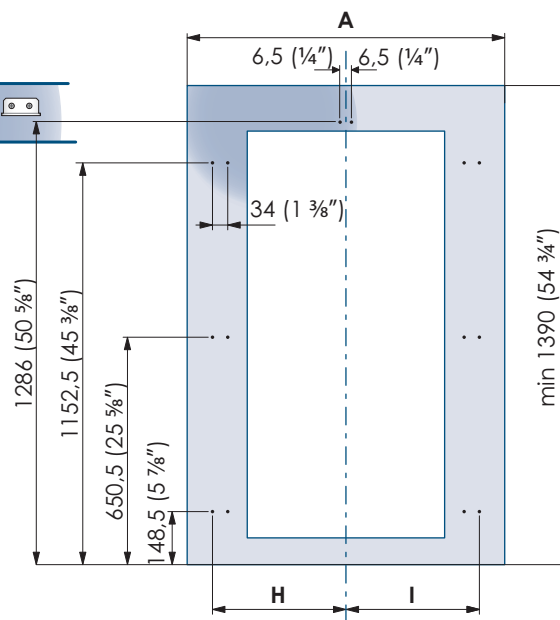
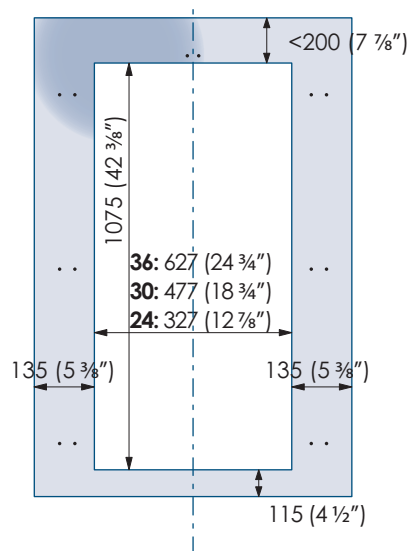
Préparation des panneaux décoratifs pour Réfrigérateur avec porte vitrée et un Grand bac



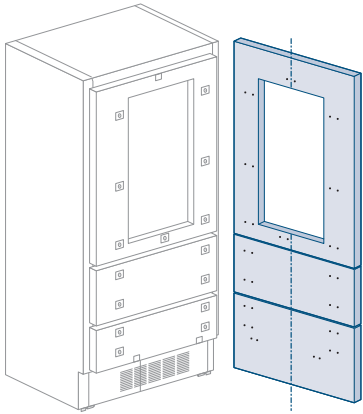
	Série 36		Série 30		Série 24	
	Charnière Gauche	Charnière Droite	Charnière Gauche	Charnière Droite	Charnière Gauche	Charnière Droite
A	897 (35 1/4")	897 (35 1/4")	747 (29 3/8")	747 (29 3/8")	597 (23 1/2")	597 (23 1/2")
D	418 (16 1/2")	386 (15 1/4")	343 (13 1/2")	311 (12 1/4")	276.5 (10 7/8")	236.5 (9 3/8")
E	386 (15 1/4")	418 (16 1/2")	311 (12 1/4")	343 (13 1/2")	236.5 (9 3/8")	276.5 (10 7/8")
F / G	354.5 (14")	354.5 (14")	279.5 (11")	279.5 (11")	203.5(8")	203.5(8")
H	412 (16 1/4")	380 (15")	337 (13 1/4")	305 (12")	270.5 (10 5/8")	230.5 (9 1/8")
I	380 (15")	412 (16 1/4")	305 (12")	337 (13 1/4")	230.5 (9 1/8")	270.5 (10 5/8")

Dimension trou pour porte

Positionnement des trous

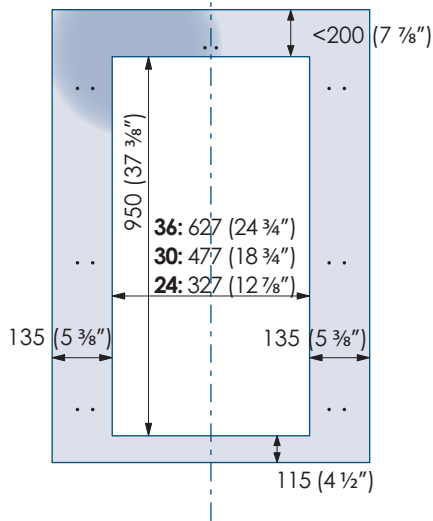


Préparation des panneaux décoratifs pour Réfrigérateur avec porte vitrée et deux Grands bacs

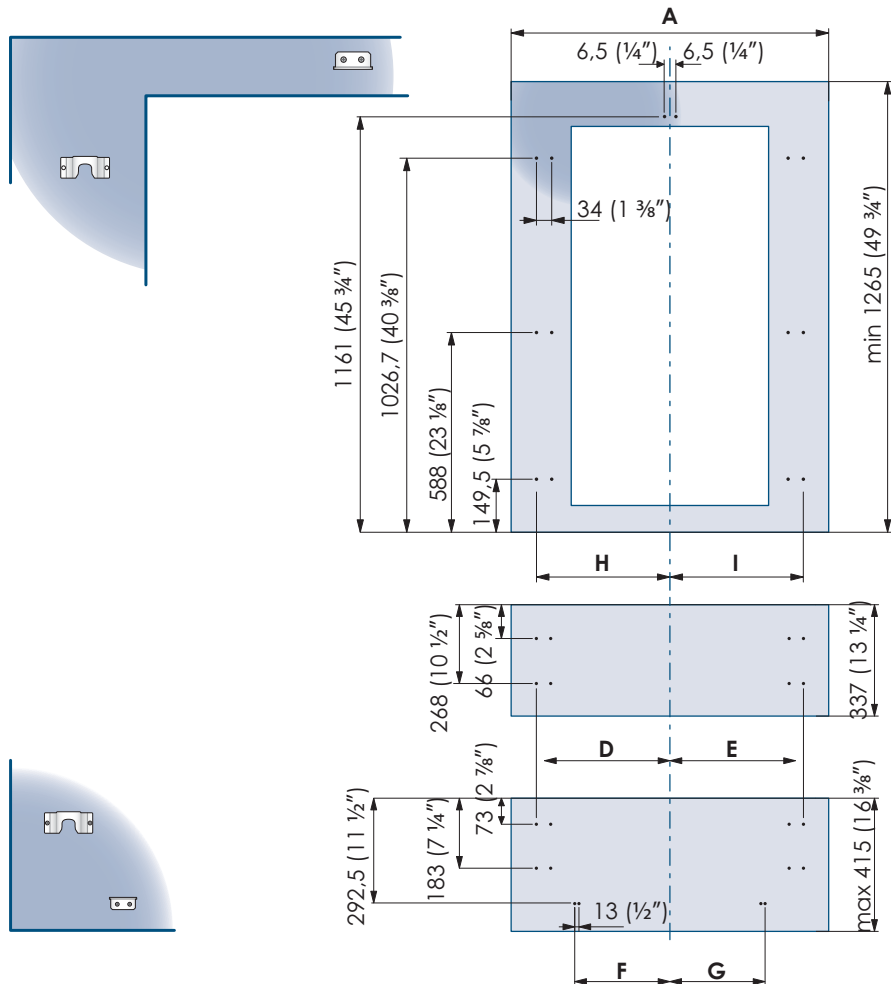


	Série 36		Série 30	
	Charnière Gauche	Charnière Droite	Charnière Gauche	Charnière Droite
A	897 (35 1/4")	897 (35 1/4")	747 (29 3/8")	747 (29 3/8")
D	418 (16 1/2")	386 (15 1/4")	343 (13 1/2")	311 (12 1/4")
E	386 (15 1/4")	418 (16 1/2")	311 (12 1/4")	343 (13 1/2")
F / G	354.5 (14")	354.5 (14")	279.5 (11")	279.5 (11")
H	412 (16 1/4")	380 (15")	337 (13 1/4")	305 (12")
I	380 (15")	412 (16 1/4")	305 (12")	337 (13 1/4")

Dimension trou pour porte



Positionnement des trous

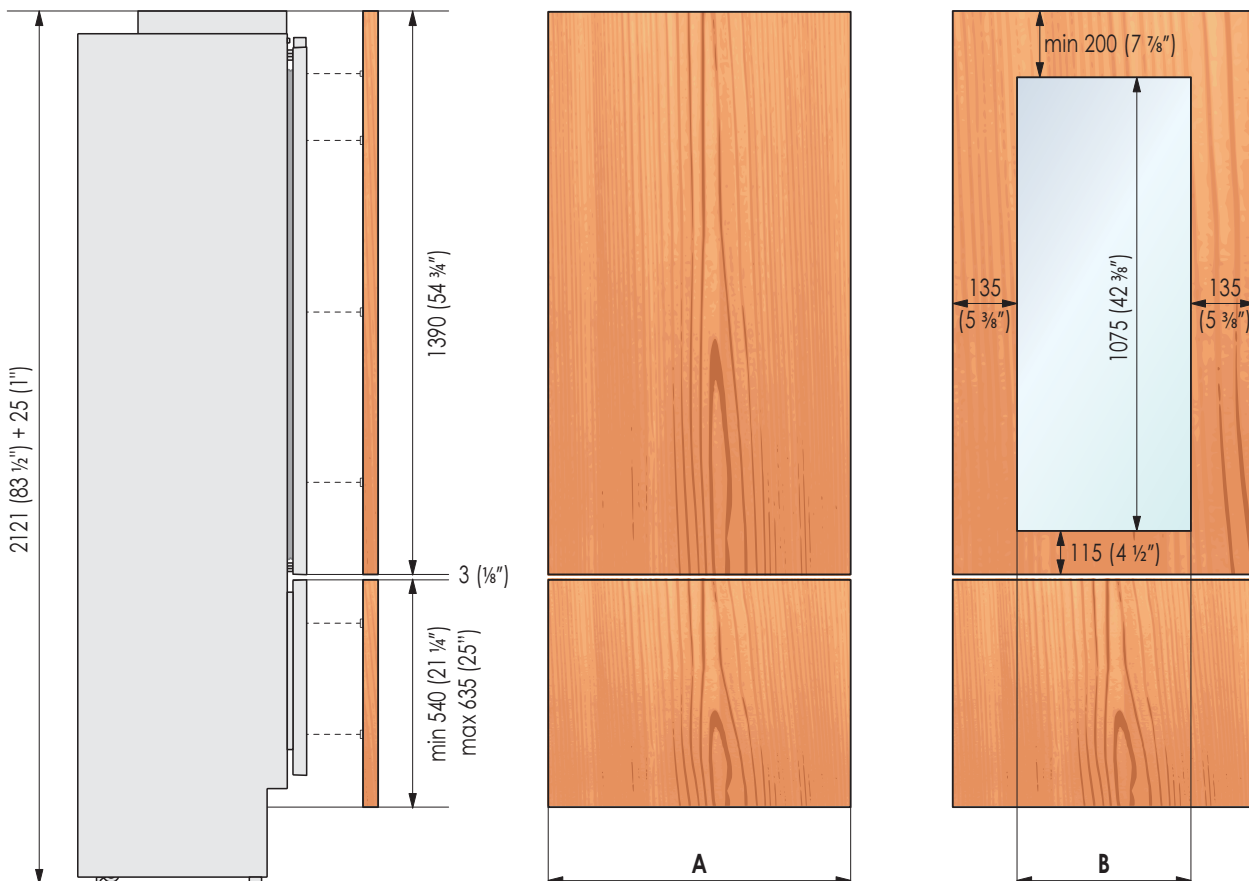


Dimensions des panneaux - Modèles avec un Grand Bac

Il est possible d'utiliser des panneaux avec des épaisseurs allant entre 18 mm (3/4 in) et 28 mm (1 1/8 in).
 Les panneaux de porte avec un poids max de 23 kg (51 lb) et panneaux de grand bac avec poids max de 11 kg (25 lb)
 Excéder ces poids pourrait annuler la garantie de tous les problèmes de services qui peuvent être attribués à des pan-
 neaux en surpoids.

Le mécanisme de charnière sur les appareils Fhiaba est considéré comme `zéro dégagement`. Les largeurs de portes et de tiroirs spécifiées ci-dessous supposent la largeur de niche minimum est utilisé et une de 3,5 mm (1/8 ") révèlent l'on souhaite autour des panneaux. Ajuster les dimensions de votre écran en fonction de vos propres critères de conception compte tenu de la largeur de votre créneau et votre révèlent. Jeu minimum / écart ne doit pas être inférieure à 1,5 mm (1/16 ").

Séries	Largeur de la porte et de tiroir A	Porte: Largeur de la coupure B
F136	897 (35 1/4")	627 (24 3/4")
F130	747 (29 3/8")	477 (18 3/4")
F124	597 (23 1/2")	327 (12 7/8")



Exemples:

- 84" hauteur de l'encastrement
- 36" largeur de l'encastrement
- 4" hauteur de plinthe
- 1/8" distance désirée autour

Door panel:

- Largeur: 35-3/4"
- Hauteur: 54-3/4"

Drawer panel:

- Largeur: 35-3/4"
- Hauteur: 84"-1/8"-54-3/4"-1/8"-4"=25"

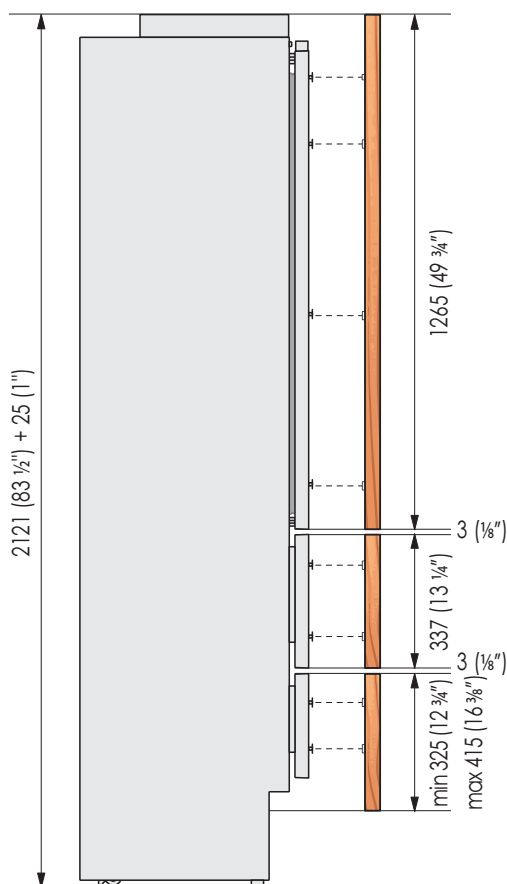
If you want a 6" toe kick height then your bottom drawer panel height would be 23"

Dimensions des panneaux - Modèles avec deux Grands bacs

Il est possible d'utiliser des panneaux avec des épaisseurs allant entre 18 mm (3/4 in) et 28 mm (1 1/8 in). Les panneaux de porte avec un poids max de 23 kg (51 lb) et panneaux de grand bac avec poids max de 11 kg (25 lb) Excéder ces poids pourrait annuler la garantie de tous les problèmes de services qui peuvent être attribués à des panneaux en surpoids.

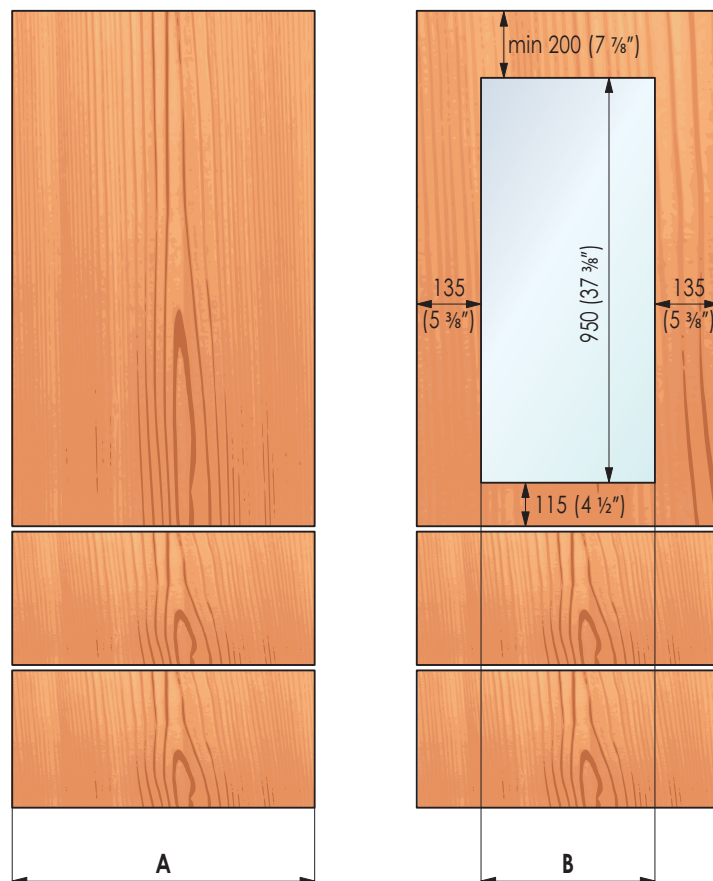
Le mécanisme de charnière sur les appareils Fhiaba est considéré comme `zéro dégagement`. Les largeurs de portes et de tiroirs spécifiées ci-dessous supposent la largeur de niche minimum est utilisé et une de 3,5 mm (1/8 ") révèlent l'on souhaite autour des panneaux. Ajuster les dimensions de votre écran en fonction de vos propres critères de conception compte tenu de la largeur de votre créneau et votre révèlent. Jeu minimum / écart ne doit pas être inférieure à 1,5 mm (1/16 ").

Séries	Largeur de la porte et de tiroir A	Porte: Largeur de la coupure B
F136	897 (35 1/4")	627 (24 3/4")
F130	747 (29 3/8")	477 (18 3/4")



Exemples:

84" hauteur de l'encastrement
 36" largeur de l'encastrement
 4" hauteur de plinthe
 1/8" distance désirée autour



Door panel:

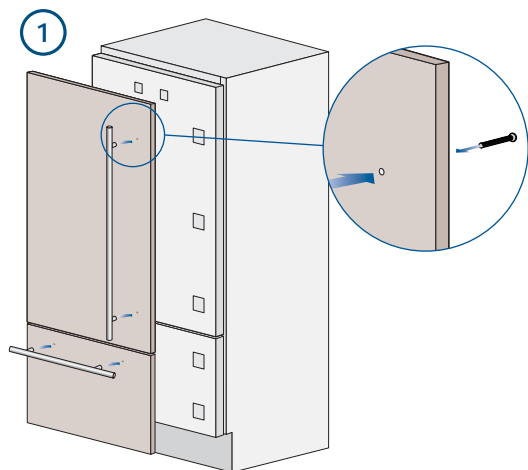
Largeur: 35-3/4"
 Hauteur: 54-3/4"

Drawer panel:

Largeur: 35-3/4"
 Hauteur: 84"-1/8"-54-3/4"-1/8"-4"=25"

If you want a 6" toe kick height then your bottom drawer panel height would be 23"

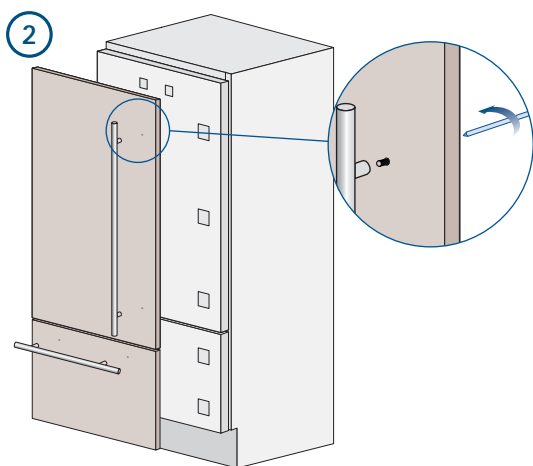
Montage des poignées: Série Integrated



Les poignées doivent être montées sur le panneau décoratif de la porte et du grand bac avant que les panneaux ne soient fixés au réfrigérateur.

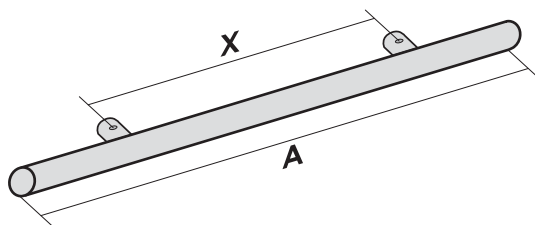
Intervenir de la manière suivante:

■ Après avoir pratiqué deux trous de 5 mm (1/4") sur le côté arrière des panneaux, insérer les vis fournies à la distance indiquée sur le tableau, reportée ci-dessous, l'une de l'autre. Pour centrer la poignée horizontale Fhiaba (code HV) au centre de la porte, diviser en deux la hauteur du panneau et pratiquer un trou à -45 cm (-17 3/4") et un autre à +45 cm (+17 3/4") ①.



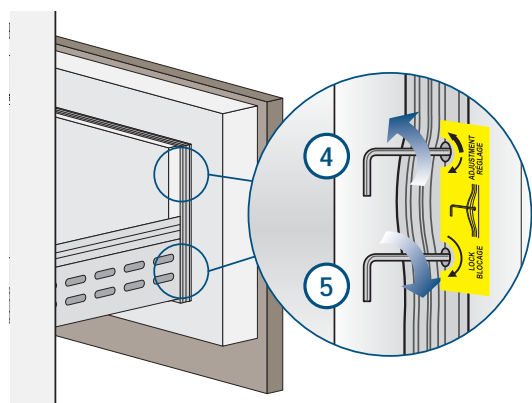
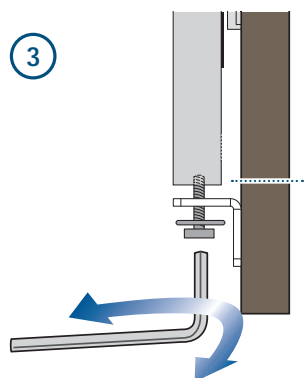
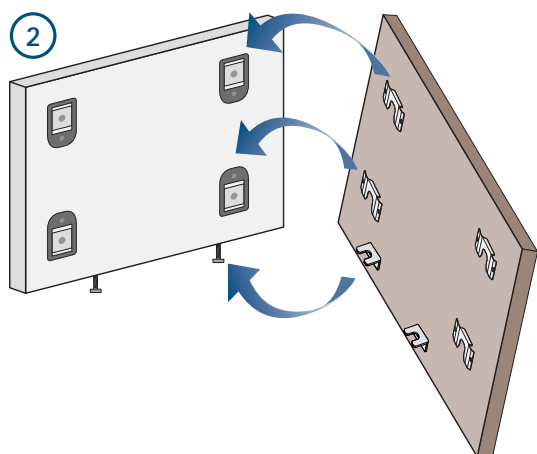
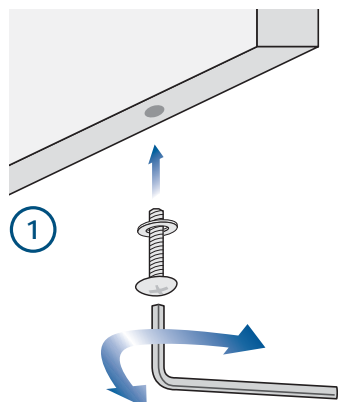
■ Positionner la poignée au niveau du trou sur le côté avant du panneau; insérer par l'arrière du panneau la vis fournie, à travers le trou, et la visser à la poignée ②.

Utiliser la même procédure pour le montage des poignées horizontales sur les grands bacs. Pour la mesure de l'entraxe, faire référence au tableau joint.



	Code poignée			
	HV	HO8	HO7	HO5
Longueur A	1104 mm (43 1/2")	794 mm (31 1/4")	644 mm (25 3/8")	494 mm (19 5/8")
Entraxe X	900 mm (35 1/2")	480 mm (18 7/8")	490 mm (19 1/4")	340 mm (13 3/8")
Série	899 749 599	899	749	599

Fixation des panneaux à la porte et au Grand bac: Sère Integrated



Après avoir appliqué les pattes de fixation et les équerres aux panneaux, commencer l'installation par le tiroir du bas.

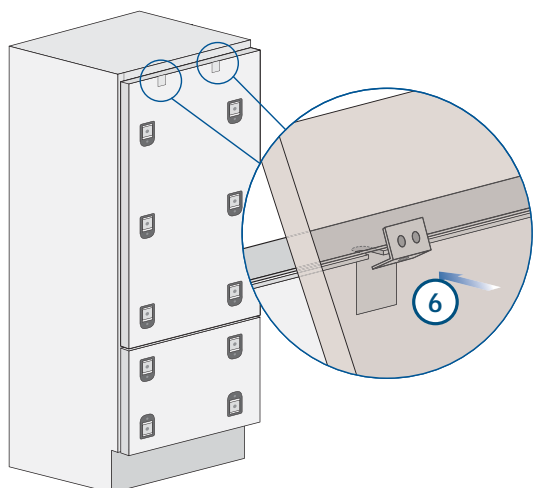
Intervenir de la manière suivante:

- Serrer les vis que partiellement aux fixations inférieures ①.

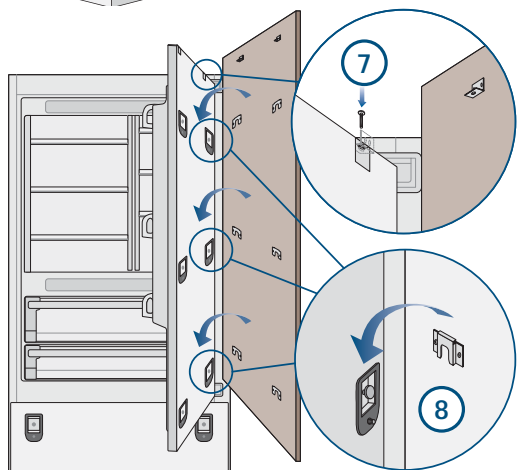
- Fixer le panneau aux support du tiroir à partir des crans de la partie inférieure de réglage ②

- À ce point il est possible de régler la hauteur du panneau avec les crans intérieurs pour s'aligner, ③ en serrant ou desserrant la vis. En tenant la vis un peu desserrée, déplacer à droite ou à gauche le panneau pour le centrer au panneau de la porte ou au reste des meubles de la cuisine.

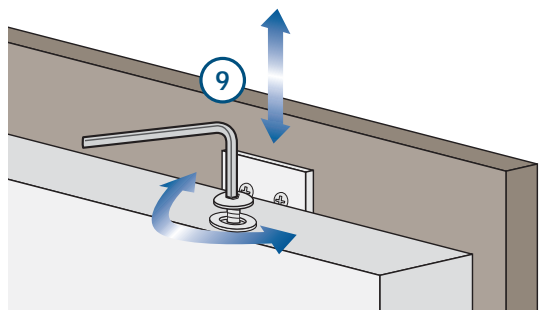
- Alignement en profondeur en travaillant de l'intérieur du tiroir et après avoir soulevé le joint magnétique, rapprocher ou éloigner le panneau du tiroir à travers les trous ④ puis fixer le panneau toujours à travers les trous ⑤.



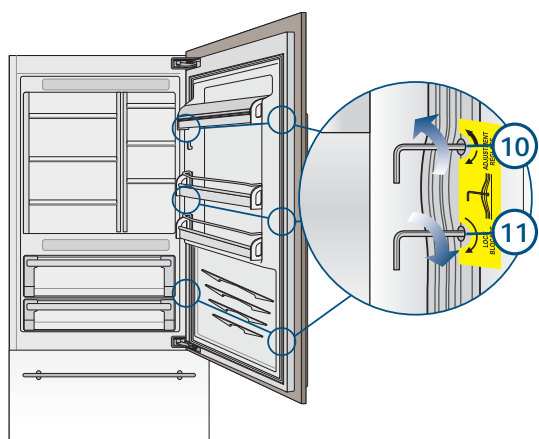
■ Accrocher le panneau aux dispositifs de fixation en insérant dans les crans d'alignement supérieurs (6).



■ Il est possible d'ajuster l'alignement du panneau par rapport aux meubles adjacents à l'aide des pattes et des équerres d'alignement (7) et (8).



■ Alignement vertical: soulever ou abaisser le panneau (9) en vissant ou en dévissant la vis à l'équerre.



■ Alignement en profondeur en travaillant de l'intérieur de la porte à après avoir soulevé le joint magnétique, rapprocher ou éloigner le panneau à sa place toujours à travers les trous (10) puis fixer le panneau à sa place toujours à travers les trous (11).



IMPORTANT: Les instructions suivantes pour l'installation s'appliquent à tous les modèles Fhiaba.

Installation dans la niche

Encastrement appareil unique

Des profils en aluminium peuvent être utilisés pour fermer les espaces entre l'appareil et les meubles adjacents ou un autre appareil juxtaposé à celui-ci.

Intervenir de la manière suivante:

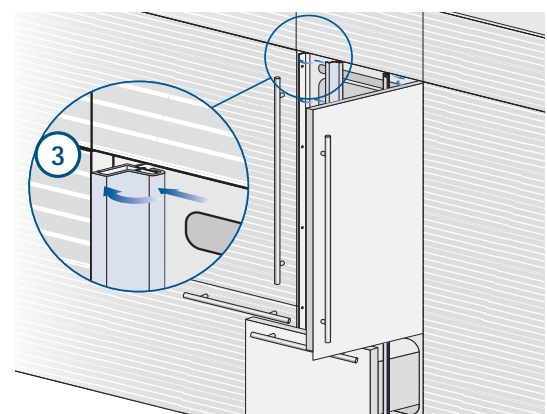
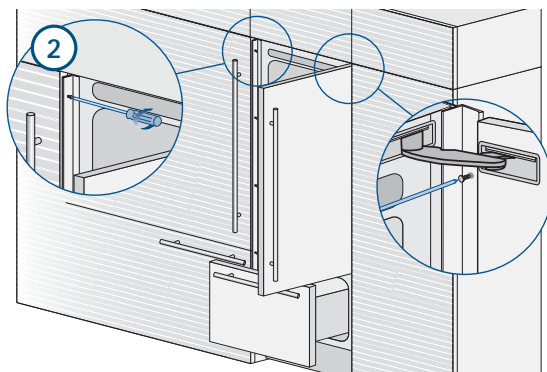
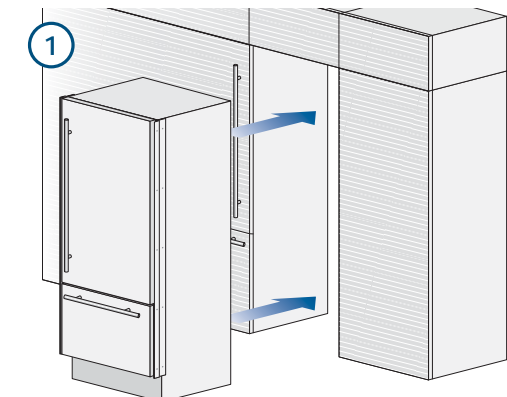
- Pousser l'appareil dans la niche d'installation ①.

■ Si l'appareil doit être installé dans une niche ou à l'intérieur d'une structure fermée, il sera nécessaire de prévoir une cheminée de ventilation à l'arrière de la niche pour garantir une ventilation adéquate. Un écart de 5 mm (1/4") est suffisant pour éviter tout surchauffement. Assemblez toujours les panneaux frontaux à la porte et aux tiroirs avant de placer l'appareil dans sa position définitive dans la niche ou la structure.

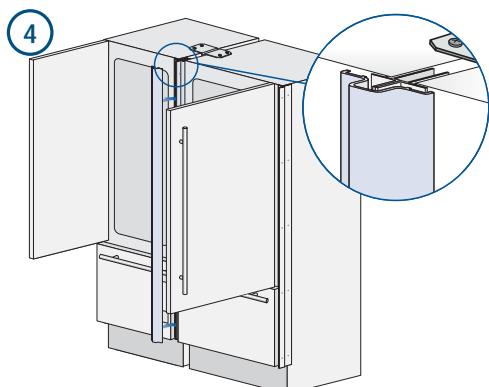
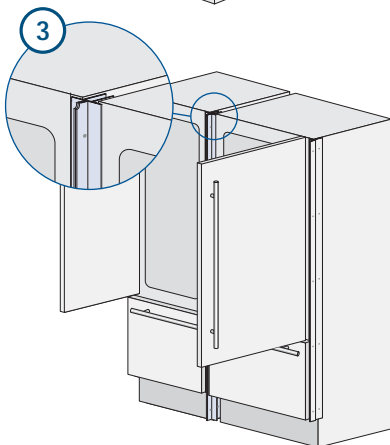
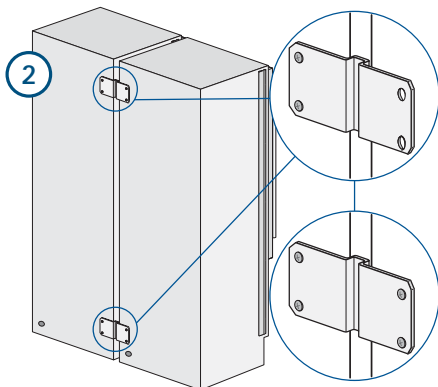
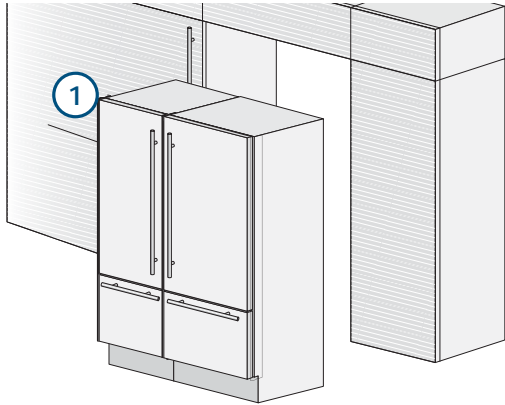
- Vérifier que les pieds et les roues arrière soient à niveau avant d'encastrer l'appareil.

■ Fixer l'appareil aux meubles adjacents en vissant à ces derniers les deux profils latéraux, déjà montés sur l'appareil ②. Pour effectuer facilement l'opération, garder la porte et le grand bac ouverts.

- Monter sur les profils les corniches de couverture, en les insérant latéralement ③ et puis en poussant avec force jusqu'au "clic".



Encastrement combinaison



Accessoires nécessaires à commander séparément:
■ Kit raccordement central (KCCIT/KCCIH)

Des profils en aluminium peuvent être utilisés pour fermer les espaces entre l'appareil et les meubles adjacents ou un autre appareil juxtaposé à celui-ci.

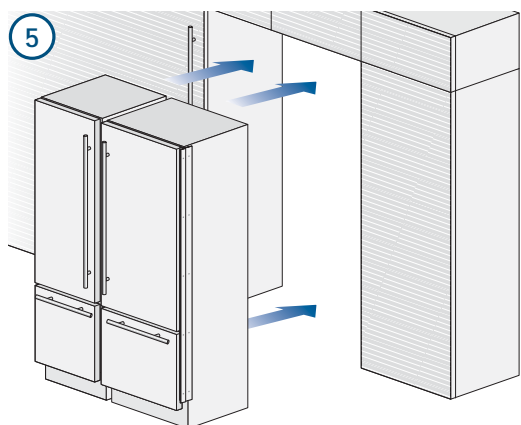
Intervenir de la manière suivante:

■ Positionner les appareils devant la niche en laissant un espace suffisant pour intervenir sur l'arrière des appareils ①.

■ Passer à l'arrière des appareils pour le montage des équerres de connexion. Fixer un côté de l'équerre supérieure et inférieure, d'abord sur un des deux appareils et ensuite sur l'autre ②.

■ Visser entre eux les deux profils avec les rivets fournis ③. Fixer l'équerre supérieure ④ et l'inférieure ⑤ d'abord sur un appareil et puis sur l'autre. Pour effectuer facilement l'opération, garder la porte et le grand bac ouverts.

■ Compléter en montant la corniche de couverture centrale en poussant avec force jusqu'au "clic".

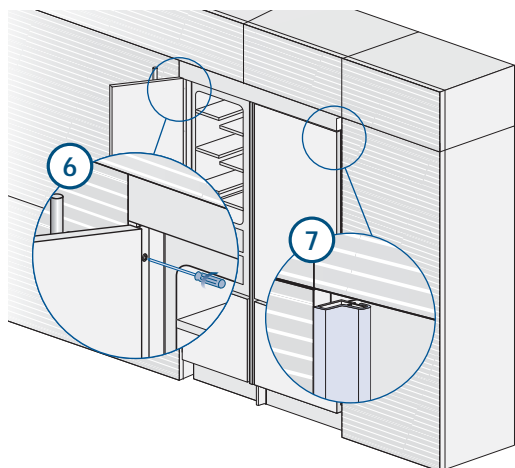


- Une fois complétés les passages ci-dessus, poussez les appareils dans leur position définitive (6).

Il sera nécessaire de prévoir une cheminée de ventilation à l'arrière de la niche pour garantir une ventilation adéquate. Un écart de 5 mm est suffisant pour éviter tout surchauffement. Assemblez toujours les panneaux frontaux à la porte et aux tiroirs avant de placer l'appareil dans sa position définitive dans la niche ou la structure.

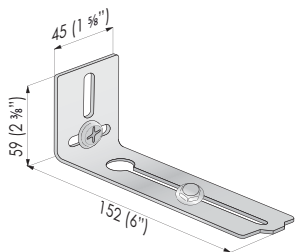
- Vérifier que les pieds et les roues arrière soient à niveau avant d'encastrer l'appareil.

- Fixer chaque appareil aux meubles adjacents en vissant à ces derniers les profils latéraux, déjà montés sur les appareils (7). Pour effectuer facilement l'opération, garder la porte et le grand bac ouverts.

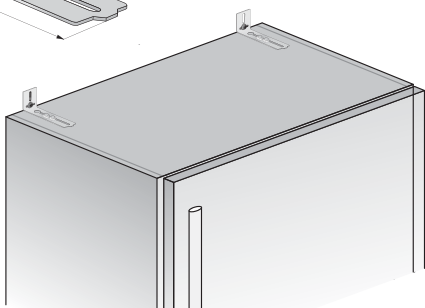


- Monter sur les profils les corniches de couverture, en les insérant latéralement (8) et puis en poussant avec force jusqu'au "clic" (comme pour l'encastrement de l'appareil unique).

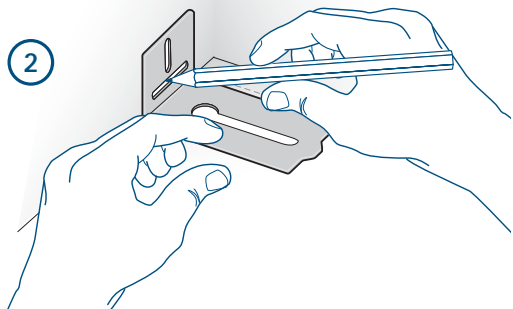
Montage de la sécurité anti-renversement



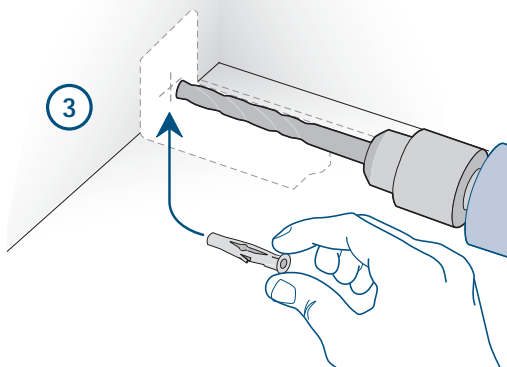
①



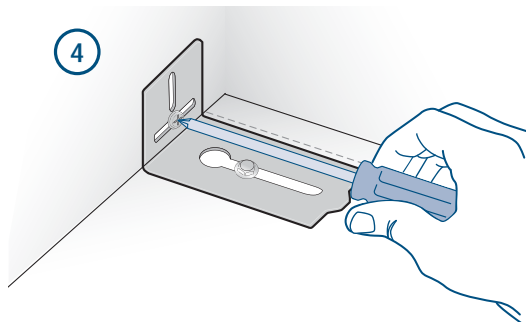
②



③



④



Afin d'éviter le risque de renversement de l'appareil lors de l'ouverture de la porte et des bacs à pleine charge, l'installation de deux équerres qui fixent la partie supérieure de l'appareil au mur est obligatoire.

Intervenir de la manière suivante:

- Les équerres sont appliquées comme illustré à la figure en utilisant les vis et les chevilles fournies. Placer l'équerre sur la partie supérieure de l'appareil en correspondance des trous de fixation et l'approcher au mur ①.

- Marquer la position des trous avec un crayon ②.

- Percer le mur avec une mèche de 8 mm (3/8") et insérer la vis tamponnée ③.

- Replacer l'équerre et la fixer d'abord sur la partie supérieure du meuble et, ensuite, au mur ④.



Afin d'éviter tout risque de renversement de l'appareil, il est obligatoire de fixer l'appareil au mur moyennant deux équerres prévues à cet effet.

Montage de la sécurité anti-renversement

Afin d'éviter le risque de renversement de l'appareil lors de l'ouverture de la porte et des bacs à pleine charge, l'installation de deux équerres qui fixent la partie supérieure de l'appareil au mur est obligatoire.

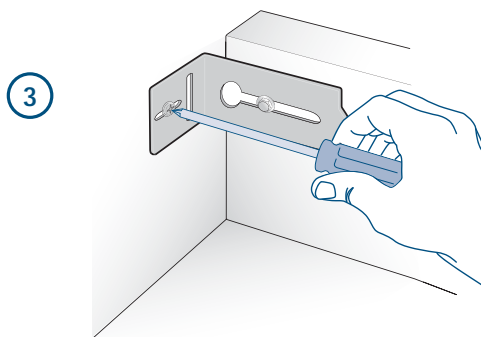
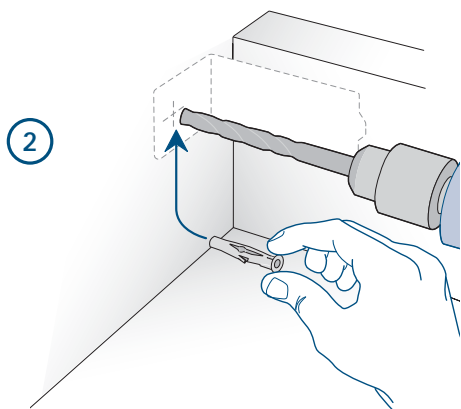
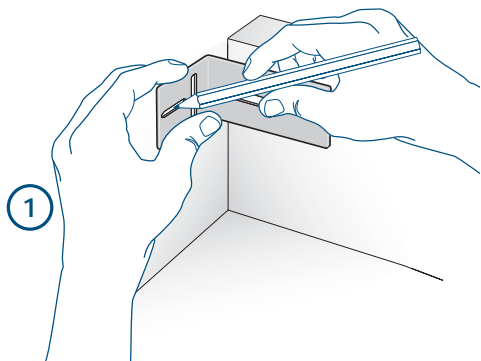
Intervenir de la manière suivante:

- Les équerres sont appliquées comme illustré à la figure en utilisant les vis et les chevilles fournies. Placer l'équerre sur la partie supérieure de l'appareil en correspondance des trous de fixation et l'approcher au mur ①.

- Marquer la position des trous avec un crayon ②.

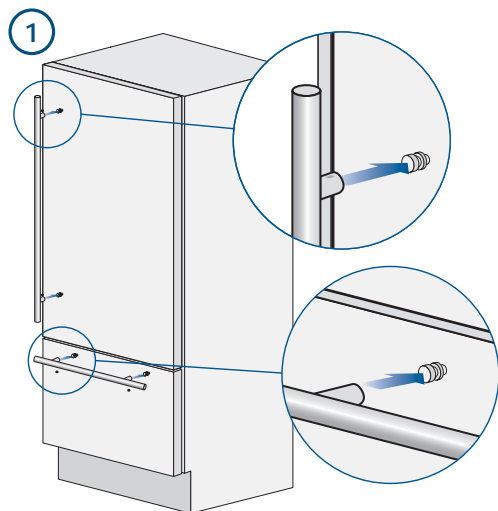
- Percer le mur avec une mèche de 8 mm (3/8") et insérer la vis tamponnée ③.

- Replacer l'équerre et la fixer d'abord sur la partie supérieure du meuble et, ensuite, au mur ④.



Afin d'éviter tout risque de renversement de l'appareil, il est obligatoire de fixer l'appareil au mur moyennant deux équerres prévues à cet effet.

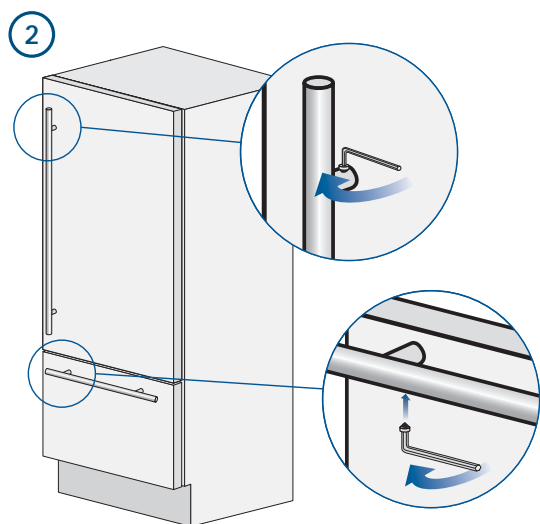
Montage des poignées sur le devant inoxydable



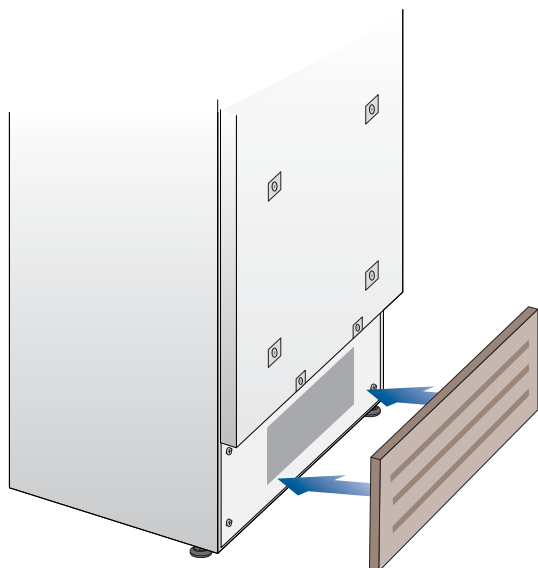
Pour fixer les poignées à la porte et au grand bac, intervenir comme indiqué.

Intervenir de la manière suivante:

- Insérer les écarteurs sur les deux goujons présents sur la porte et sur le grand bac (1).
- Visser les vis à six pans présentes dans la poignée (2).




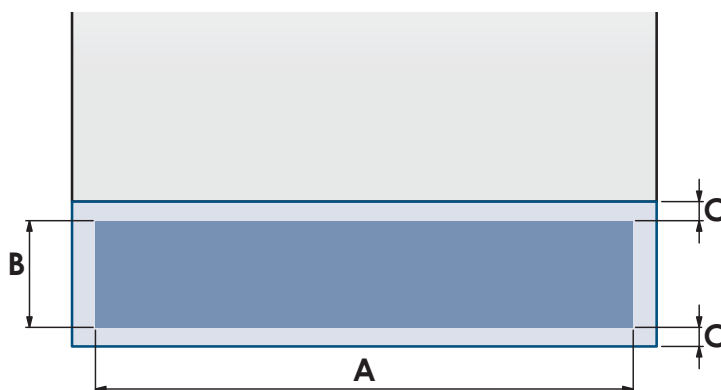
Les vis de fixation seront serrées à fond, en utilisant une clé à six pans de 2,5 mm (1/8").



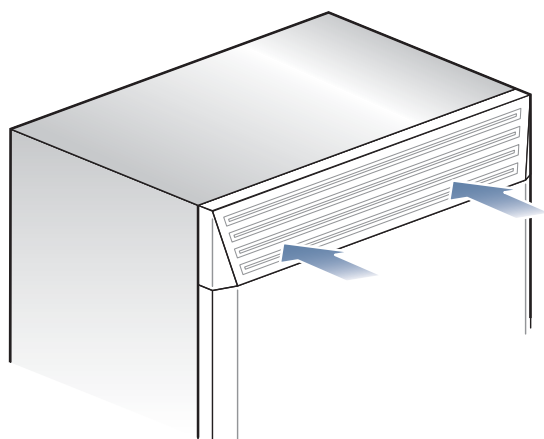
Un système à air forcé assure la ventilation à travers la grille positionnée dans la partie inférieure de l'appareil. Si l'aménagement de la cuisine prévoit une plinthe, cette dernière doit être trouée afin de garder un niveau d'aération satisfaisant, comme expliqué dans le dessin. Les trous peuvent être de toute sorte de forme et dimension, à condition que la surface totale de la partie trouée est égale au 50% de la surface de la plinthe.

Dans ce cas, pour permettre une meilleure aération, il est préférable de retirer la grille frontale de l'ensemble. La grille est accrochée à l'ensemble avec des plaques magnétiques et peut être facilement retirée par l'utilisateur final, afin d'être nettoyée régulièrement de la poussière.

	Série 36	Série 30	Série 24
A	860 (33 7/8")	740 (29 1/8")	560 (22")
B	> 100 (4")		
C	10 (3/8")		
	50%		



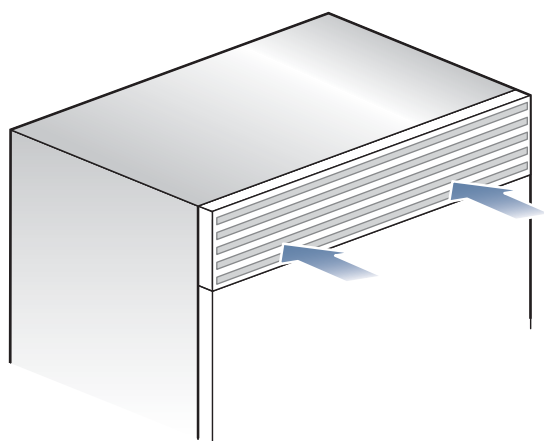
Ventilation



La ventilation est garantie par un système à air forcé à travers une grille positionnée dans la partie haute de l'appareil.

Cette grille ne doit en aucun cas être couverte par des panneaux ou autres dispositifs qui pourraient en réduire l'efficacité.

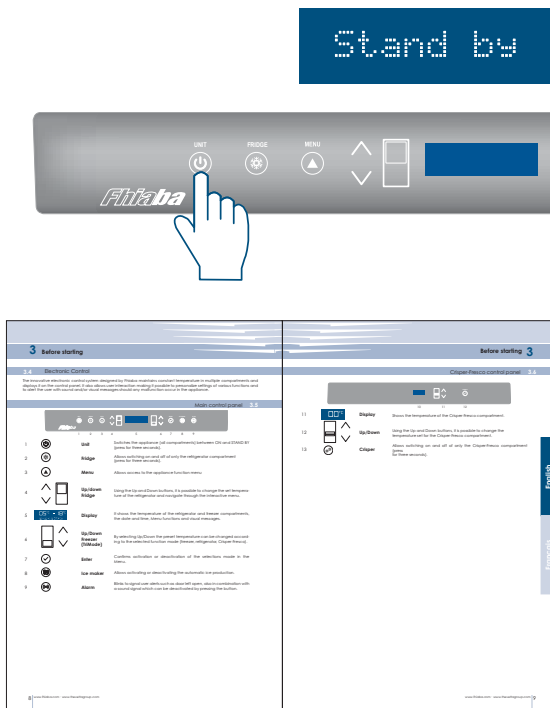
S'il vous plaît se référer à la page 5-6 pour assurer une circulation d'air correcte.




Contrôle de fin d'installation mise en marche

- Contrôler que les pieds sont correctement installés.
- Contrôler que le raccordement à l'installation hydrique ne présente pas de fuites d'eau et que le robinet de fermeture est facilement accessible.
- Contrôler que le branchement électrique soit correctement réalisé et que la fiche et l'interrupteur omnipolaire dédié soient facilement accessibles.
- Contrôler le parfait alignement de l'appareil avec les meubles adjacents.
- Contrôler que chaque ruban adhésif ou protection temporaire interne ou externe soit éliminé.
- Contrôler la parfaite étanchéité des portes et le coulissement des bacs et des clayettes.

Mise en marche



■ Pour mettre en marche l'appareil, brancher la fiche au réseau électrique: lorsque la porte est ouverte, apparaît sur le panneau de commande le message "Stand-by", alors que toutes les touches du panneau sont éteintes.

■ Pour mettre en marche tous les compartiments de l'appareil, appuyer pendant 3 secondes sur la touche Unit . Le message "initial test" apparaîtra pendant environ 2 minutes, ensuite les compresseurs seront actifs jusqu'à attendre la température prévue en usine par défaut. Veuillez noter que cette opération pourrait durer plusieurs heures.

Si l'appareil est fourni avec un appareil à glaçons avant de le mettre en marche pour la première fois, veuillez vous assurer que la cartouche du filtre pour l'eau a bien été installée et effectuez un remplissage du circuit hydraulique.

■ Pour toute autre information concernant le fonctionnement de l'appareil, se référer au Mode d'emploi.



Si lors de la première mise en marche, n'apparaît pas le message Stand-by, mais apparaissent Fridge too warm, Fresco too warm, Freezer too warm ou signaux sonores, cela signifie que l'appareil a déjà commencé la procédure de refroidissement.

Dans ce cas désactiver les éventuels messages sonores en effleurant la touche Alarm, refermer la porte et attendre que les températures programmées soient atteintes.



Il faut laisser l'unité atteindre la température de fonctionnement vide et avec la porte et un tiroir fermé avant que les aliments sont stockés à l'intérieur.



Sur les modèles avec un compartiment dédié Fresco, le compartiment Fresco refroidit à la température de consigne (par défaut 0°C / 32°F) avant la commutation du système de refroidissement du compartiment de réfrigération principale. Dans ce cas désactiver les éventuels messages sonores en effleurant la touche Alarm, refermer la porte et attendre que les températures programmées soient atteintes.





EN

Fhiaba srl is constantly researching new way to improve the features and the design of their products, therefore models are often upgraded and reviewed.

FR

Fhiaba est constamment à la recherche de nouvelles solutions pour améliorer les caractéristiques et le design de ses propres produits et se réserve le droit d'apporter continuellement des modifications à ses modèles.



www.fhiaba.com
Info Line
800 - Fhiaba · (800-344222)