

Fig. 1

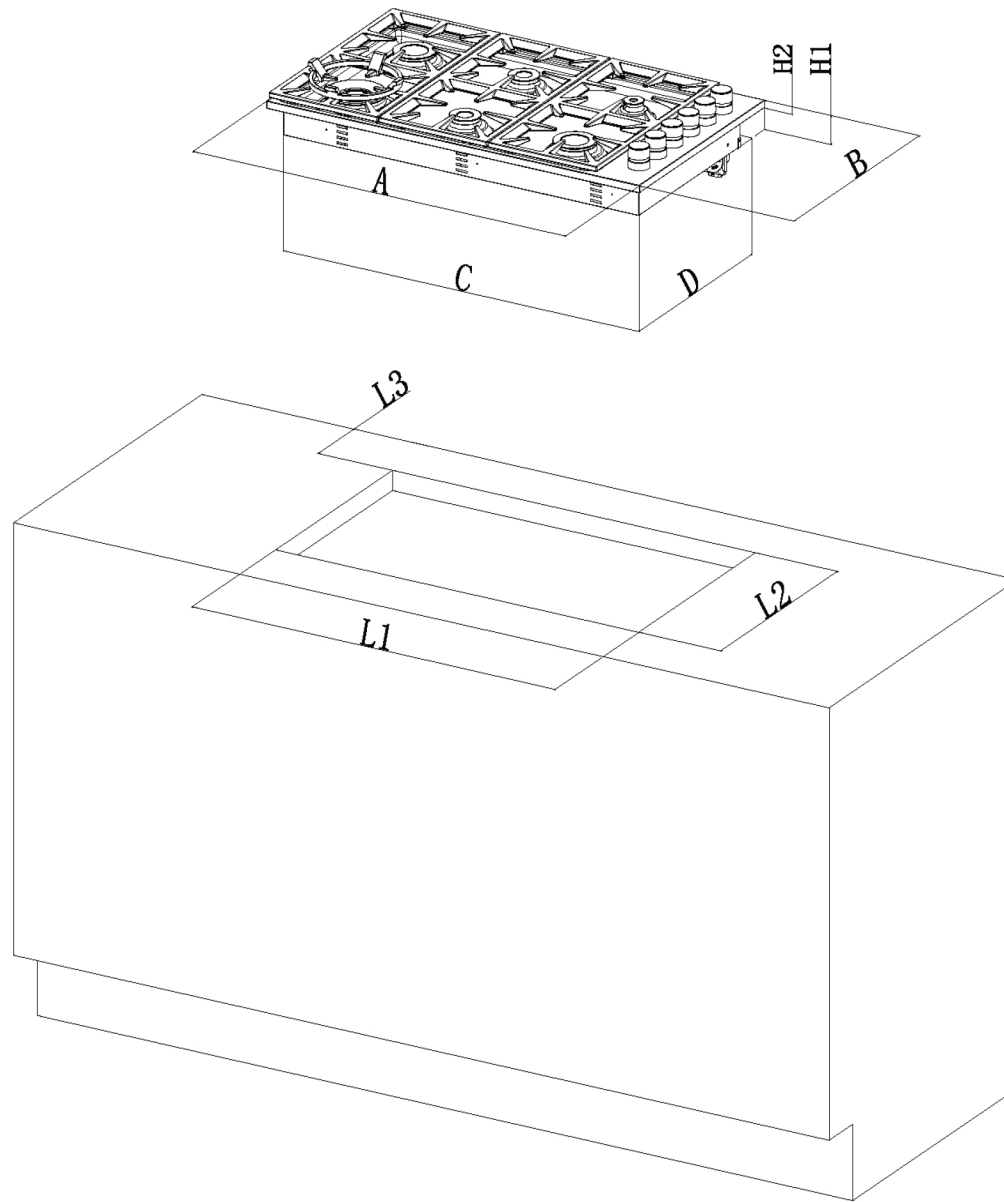


Table n. 1

	A	B	C	D	H1	H2	
30 inch	30" (762)	21" (533)	28" 3/8 (720)	18" 7/8 (480)	2" 13/16 (71)	5/8" (15)	
36 inch	36" (914)		34" 3/8 (872)				
	L1			L2			L3
cut out size	suggest	min	max	suggest	min	max	min
30 inch	29" (737)	28 9/16" (726)	29 3/8" (746)	19 1/2" (495)	19 1/8" (486)	20 3/8" (517)	2 1/2" (64)
36 inch	35" (889)	34 9/16" (878)	35 3/8" (898)				