

WARNING!

**PLEASE READ CAREFULLY
ALL PAGES OF THESE
INSTRUCTIONS**

**CUTOUT
INSTRUCTIONS**



forno.ca

VI. Counter Installation Instructions for 1" thickness or less

Warning!

Important-Save for the local electrical inspector's use.

For Your Safety: Do not store or use gasoline or other flammable vapors and liquids in the vicinity of this or any other appliance. To eliminate the risk of burns or fire due to overheating, cabinets located above the induction unit should be avoided. If cabinet space is available, the risk can be reduced by installing a range hood that protects horizontally at a minimum of 5 inches below the bottom of the cabinets.

IMPORTANT INSTALLATION INFORMATION

All electric cooktops run off a single phase, three-wire cable, 240V/60Hz AC only electrical supply with ground. Minimum distance between cooktop and overhead cabinetry is 30".

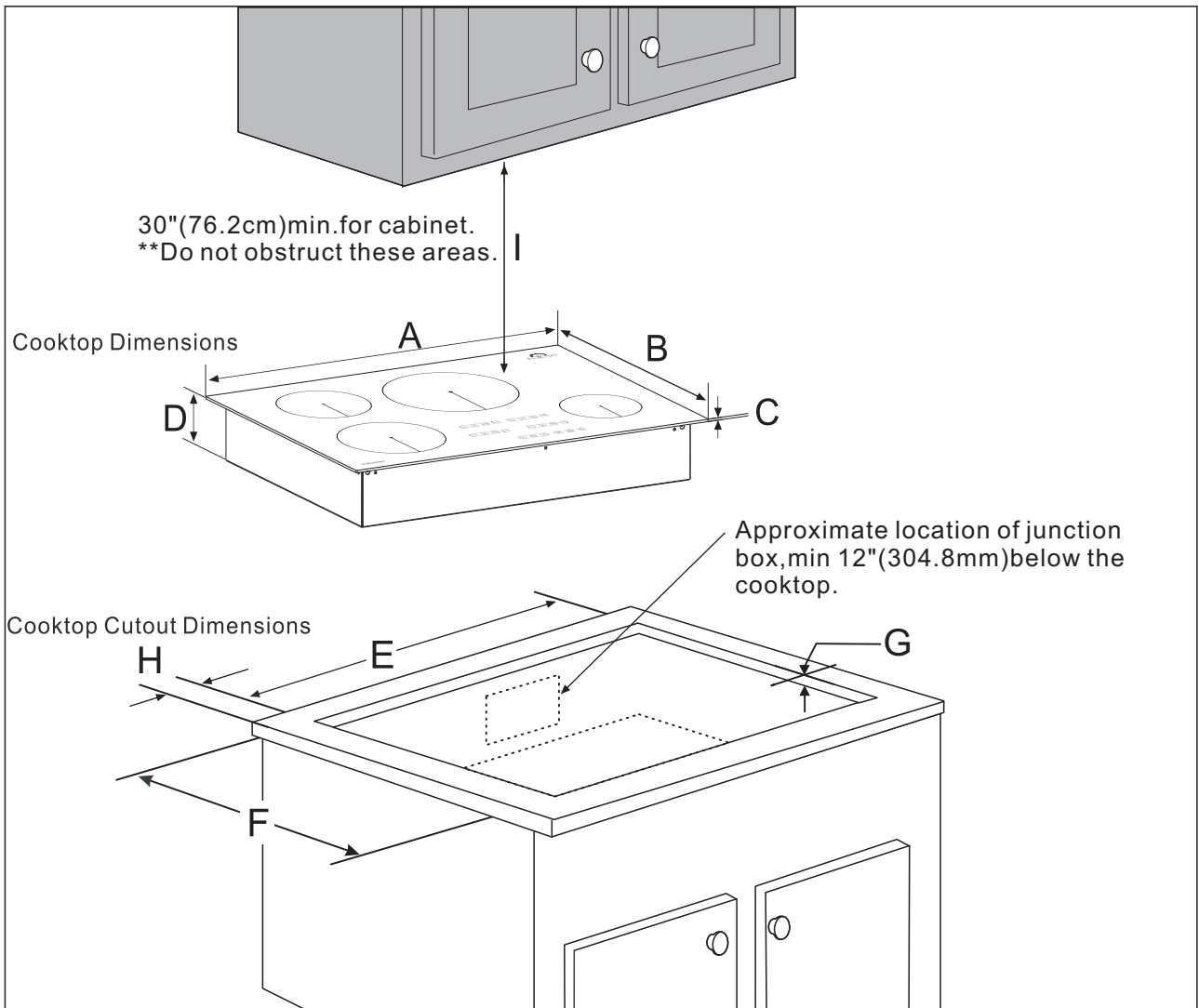
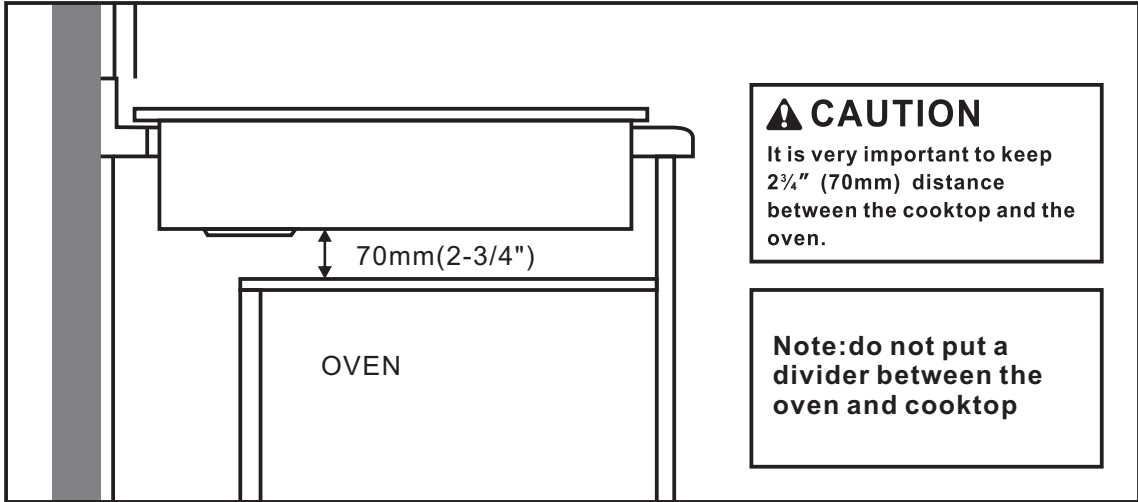


Figure 1

VI. Counter Installation Instructions:



Cooktop Dimensions

A. Width	B. Depth	C. Height	D. Height
30"	21"	5/32"	2-5/32"

Cooktop Cutout Dimensions

E. Depth	F. Depth	G. Depth	H. Depth	I. Depth
Minimum: 28-3/4" Maximum: 29-7/32"	Minimum: 19-9/32" Maximum: 20-1/4"	Minimum: 13/32" Maximum: 25/32"	Minimum: 1-31/32"	Minimum: 30"

VI. Counter Installation Instructions for more than 1" thickness

This page and next page (page 14 & 15) is for the kitchen with over than 1" thickness Countertop

Warning!

Important-Save for the local electrical inspector's use.

For Your Safety: Do not store or use gasoline or other flammable vapors and liquids in the vicinity of this or any other appliance. To eliminate the risk of burns or fire due to overheating, cabinets located above the induction unit should be avoided. If cabinet space is available, the risk can be reduced by installing a range hood that protects horizontally at a minimum of 5 inches below the bottom of the cabinets.

IMPORTANT INSTALLATION INFORMATION

All electric cooktops run off a single phase, three-wire cable, 240V/60Hz AC only electrical supply with ground. Minimum distance between cooktop and overhead cabinetry is 30".

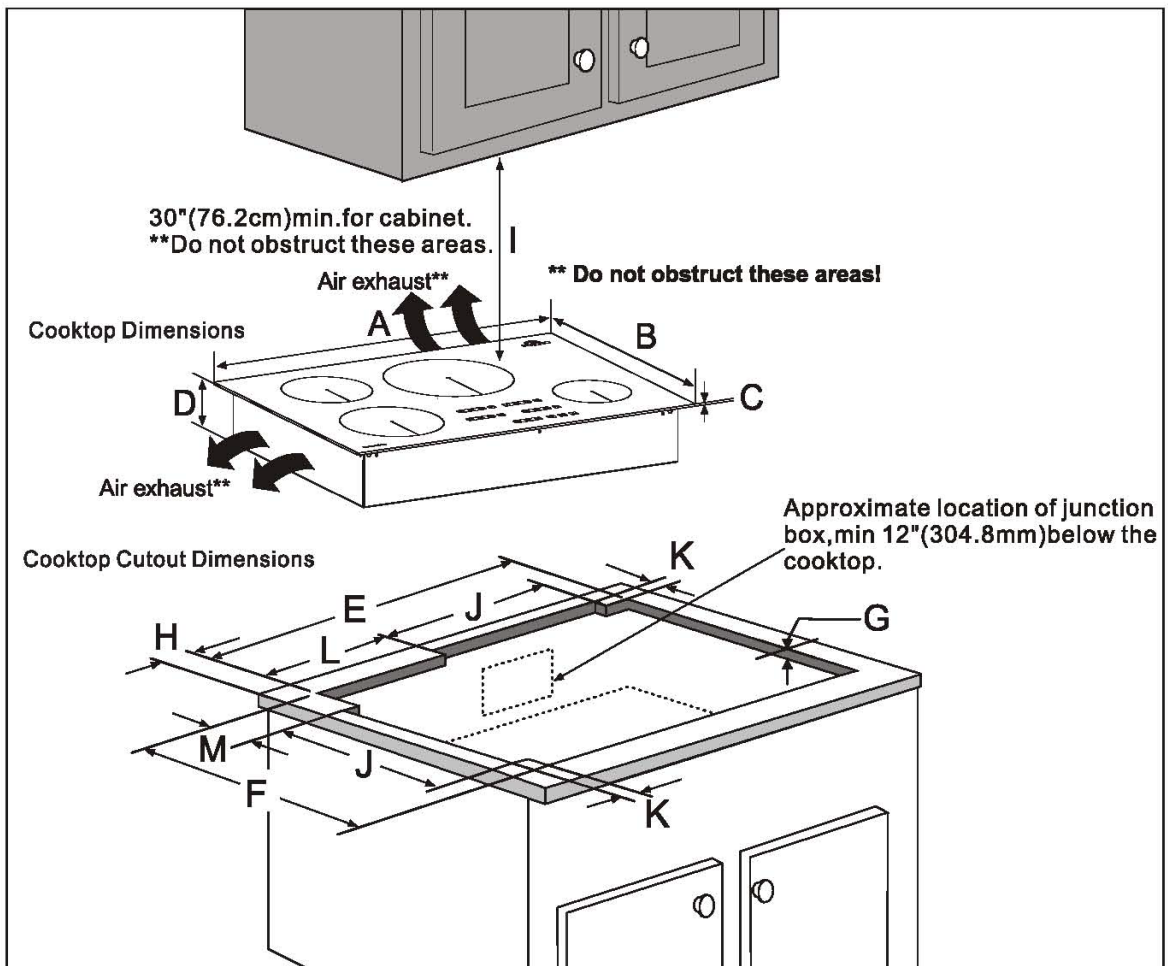
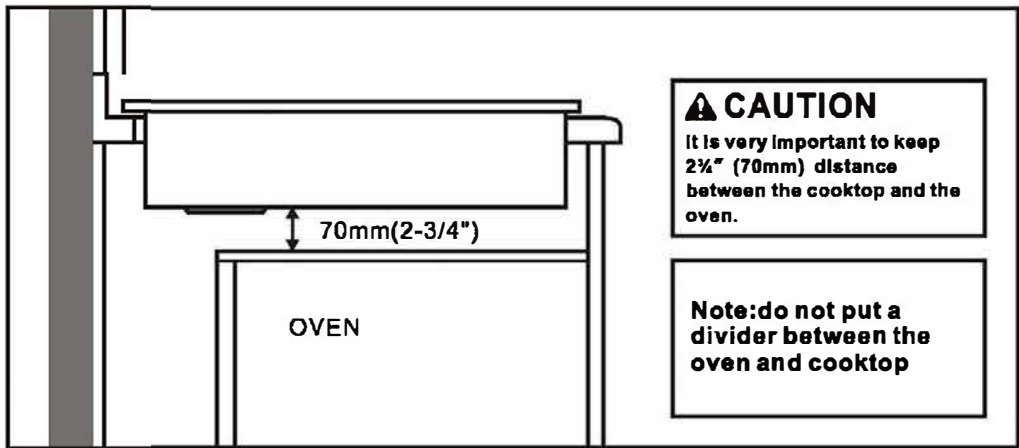


Figure1

VI. Counter Installation Instructions:



Cooktop Dimensions			
A. Width	B. Depth	C. Height	D. Height
30"	21"	5/32"	2-5/32"

Cooktop Cutout Dimensions								
E. Depth	F. Depth	G. Depth	H. Depth	I. Depth	J. Depth	K. Depth	L. Depth	M. Depth
Minimum: 28-3/4"	Minimum: 19-9/32"	Minimum: 13/32"	Minimum: 1-31/32"	Minimum: 30"	Minimum: 16-1/2"	Maximum: 13/32"	Minimum: 10-5/8"	Minimum: 1-3/8"
Maximum: 29-7/32"	Maximum: 20-1/4"	Maximum: 25/32"						