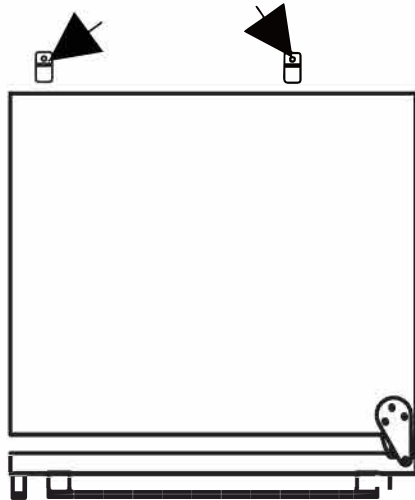
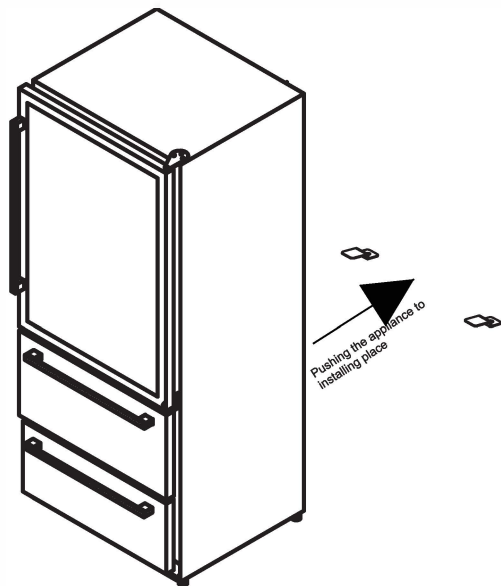




please use two expansion screws to fix feet on the floor.



c. Push the appliance into its place of installation.



d. If the unit is not stable, pull out the appliance and repeat the previous step until the unit is stable.



**Instruction Manual  
Combi wine cooler & drawer  
FWCDR6661-30S**



**BEFORE USE, PLEASE READ AND FOLLOW ALL  
SAFETY RULES AND OPERATING INSTRUCTIONS**

**Dear customer,**

Before placing your new refrigerator into operation please read these operating instructions carefully. They contain important information for safe use, for installation and for care of the appliance.

Please keep these operating instructions for future reference. Pass them on to possible new owners of the appliance.

Notes which are important for your safety or for the proper functioning of the appliance are stressed with a warning triangle and/or with signal words (**Warning!**, **Caution!**, **Important!** ). Please observe the following carefully.

Supplementary information regarding operation and practical applications of the appliance appear after this symbol.

Tips and notes concerning economical and environmentally sound use of the appliance are marked with the cloverleaf.

The operating instructions contain instructions for the correction of possible malfunctions by the user in the section Trouble shooting. If these instructions should not be sufficient, contact your local service center.

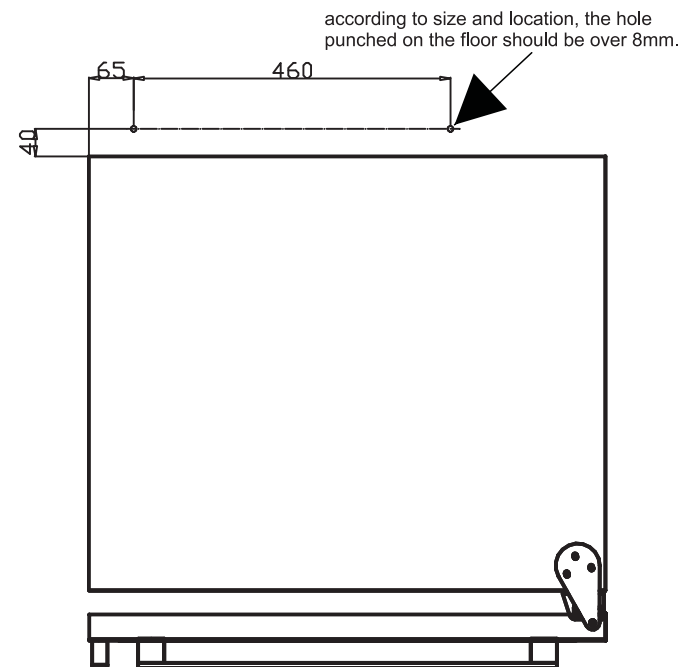
## Contents

<b>Important Safety Instructions</b> .....	2
<b>Disposal of Old Appliance</b> .....	3
<b>Description of the appliance</b> .....	5
<b>Installation</b> .....	6
<b>Installing the Handle</b> .....	7
<b>Electrical Connection</b> .....	7
<b>Operating Your Appliance</b> .....	8
<b>Cleaning and Maintenance</b> .....	11
<b>Trouble Guide</b> .....	12
<b>Installation of Anti-Tip Brackets</b> .....	14

### Installation of Anti-Tip Brackets

**!! Warning !!** To avoid the risk of serious personal injury or damage to the appliance due to the instability of the appliance, it must be fixed to the floor with anti-tip brackets and screws (supplied). Before installing, carefully read these instructions.

- Take the fixing brackets (2 pcs) and screws (2 pcs) out of the instruction packet.
- Drill holes into the floor according to the dimensions shown below. This will allow you to fix the brackets to the floor.







- Never use an appliance with a damaged circuit.
- Ensure that the ventilation openings to and from a built-in appliance are never blocked or covered. No liability will be accepted for any damage incurred owing to misuse of the appliance or as a result of repairs carried out by unqualified personnel. In this case either the guarantee or any other liability claims will apply.
- **WARNING:** Do not operate any electrical appliance inside the appliance.
- Do not attempt to repair or replace any part of your appliance unless it is specifically recommended in this manual. All other servicing should be referred to a qualified technician.
- Replace all panels before operating.
- Use two or more people to move the install the appliance. Failure to do so can result in back or other injury.
- Never clean appliance parts with flammable fluids. These fumes can create a fire hazard or explosion. And do not store or use gasoline or other flammable vapors and liquids in the vicinity of this or any other appliance. The fumes can create a fire hazard or explosion.
- Do not connect or disconnect the electric plug when your hands are wet.
- It is recommended that a separate circuit, serving only your appliance be provided. Use receptacles that cannot be turned off by a switch or pull chain.

**WARNING: To reduce the risk of fire, electric shock or personal injury , unplug or disconnect the appliance from the power supply before servicing.**

## Save These Instructions.

If you are experiencing problems, check the Troubleshooting Guide at the back of this manual. It lists caused of minor operating problems that you can correct yourself.

## Disposal of Old Appliance

Dispose of your appliance packaging properly.

Refrigeration equipment must be properly disposed of in a way which protects the environment. This applies to your old appliance and to your new unit once it has reached the end of its service life.

**WARNING:** Please ensure that old, worn appliances are rendered unusable before disposal by removing the plug, cutting the network cable, and removing or destroying any snap fastenings or bolts. You will thus prevent children fro locking themselves in the appliance during play ( risk of suffocation) or endangering their lives in any other way.



- Turn the adjustable leg up to the base to avoid damage.
- Tape the door shut.
- Be sure the appliance stays secure in the upright position during transportation. Also protect outside of appliance with a blanket, or similar item.

### Energy Saving Tips

- The appliance should be located in the coolest area of the room, away from heat producing appliances, and out of the direct sunlight.
- Ensure that the unit is adequately ventilated. Never cover air vents.
- Only open the door for as long as necessary.

### Problems with Your appliance

You can solve many common wine cooler problems easily, saving you the cost of a possible service call. Try the suggestions below to see if you can solve the problem before calling customer service.

PROBLEM	POSSIBLE CAUSE
The appliance does not operate.	Not plugged in. The appliance is turned off. The circuit breaker tripped or a blown fuse.
The appliance is not cold enough.	Check the temperature control setting. External environment may require a higher setting. The door is opened too often. The door is not closed completely. The door gasket does not seal properly
Turns on and off frequently	The room temperature is hotter than normal. A large amount of contents has been added to the Wine Cooler. The door is open too often The door is not closed completely. The temperature control is not set correctly. The door gasket does not seal properly.
Vibrations	Check to assure that the appliance is level.
The door will not close properly.	The appliance is not level. The door was reversed and not properly installed. The gasket is dirty. The shelves are out of position.
The appliance seems to make too much noise	The rattling noise may come from the flow of the refrigerant, which is normal. As each cycle ends, you may hear gurgling sounds caused by the flow of refrigerant in your appliance. Contraction and expansion of the inside walls may cause popping and crackling noises. The appliance is not level.



### Storage

- Many bottles may differ in size and dimensions. As such the actual number of bottles you may be able to store may vary.
- When placing the bottles into the wine cooler, make sure there is no contact with the back inner surface.
- Make sure the bottles could not be placed directly onto the electronic board of control panel. Always place the bottles onto the wooden shelves.
- Do not place overfull loading the bottles onto one shelf. To avoid damaging the shelf and affect the temperature for wine cooler.

## Cleaning & Maintenance

### Cleaning your wine cooler

- Turn off the power, unplug the appliance, and remove all items including shelves and rack.
- Wash the inside surfaces with a warm water and baking soda solution. The solution should be about 2 tablespoons of baking soda to a pint of water.
- Wash the shelves with a mild detergent solution.
- Wring excess water out of the sponge or cloth when cleaning any area of the controls.
- Wash the outside cabinet with warm water and mild liquid detergent. Rinse well and wipe dry with a clean soft cloth.

### Power Failure

- Most power failures are corrected within a few hours and should not affect the temperature of your appliance if you minimize the number of times the door is opened. If the power is going to be off for a longer period of time, you need to take the proper steps to protect your contents.

### Vacation Time

- Short holidays: Leave the Wine Cooler in operation for holidays of less than three weeks.
- Long absences: If the appliance will not be used for several months, remove all items, turn off the appliance and unplug. Clean and dry the interior thoroughly. To prevent odour and mold growth, leave the door open slightly : blocking it open if necessary.

### Moving Your Appliance

- Remove all items.
- Securely tape down all loose items (shelves) inside your appliance.



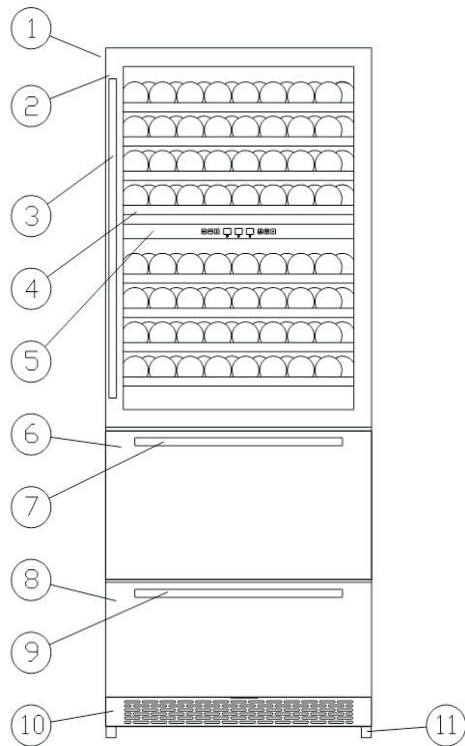
### Disposal Instruction:



symbol on the product or its packaging indicates that this product is not to be handled as normal household waste but is to be taken to a recycling collection point for electrical and electronic goods. By correctly disposing of this product you are contributing to the protection of the environment and to the health of your fellow human beings. Improper disposal endangers health and the environment. Further information about the recycling of the product may be obtained from your town hall, refuse collection department or the store where you purchased the product.

## Description of the appliance

### View of the appliance



①Cabinet

②Stainless steel door frame

③Stainless Steel Handle

④Wooden shelves

⑤Control panel

⑥Upper drawer

⑦Stainless steel handle for upper drawer

⑧Lower drawer

⑨Stainless steel handle for lower drawer

⑩Ventilator

⑪ Leveling legs

11- Indicator for the upper chamber of wine cooler.

12- Indicator for the lower chamber of wine cooler.

13- Indicator for the lower chamber of drawer fridge..

### Setting the Temperature Control

You can select temperature display setting from Fahrenheit to Celsius degree by touching the °C/°F Selector mark. Fahrenheit or Celsius degrees indicator will appear in blue color in the temperature display window for each zone. You can set the temperature as you desire by touching the UP and DOWN marks.

- The temperature that you desire to set will increase 1°C or 1°F if you touch the UP mark once, on the contrary the temperature will decrease 1°C or 1°F if you touch the DOWN mark once.
- Temperature range : Upper chamber 8-13°C/47-56°F, Lower chamber 13-18°C/56-65°F. Drawer 1-10°C/34-50°F
- The temperature inside the unit will be appeared in blue color in the display window.

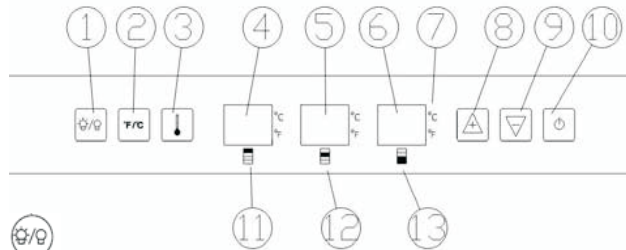
### Shelves


- To prevent damaging the door gasket, make sure the door is fully open when pulling shelves out of the rail compartment.
- For easy access to the bottles stored, pull the shelves out approximately 1/3.


### Defrosting


- The unit defrosts automatically.
- The evaporator behind the rear wall of the unit defrosts automatically. The condensate collects in the drainage channel behind the rear wall of the unit, and flows through the drainage hole into the drip tray by the compressor where it evaporates.



### The controls of your appliance



- 1- Light 


To control the inner light turn on/off.
- 2- °F/°C Selector 


Select the temperature display setting in Fahrenheit or Celsius degree.
- 3- Set temperature 

press this bottom, press   to set temperature. To view the “set” temperature at any time, touch the UP or DOWN mark, the “set” temperature will temporarily “flash” in the LED display for 5 seconds.
- 4- Temperature Display for upper chamber of wine cooler.
 


The LED display will show the setting temperature when “flash”; Display will show the temperature for the lower chamber when normal .
- 5- Temperature Display for lower chamber of wine cooler.
 

The LED display will show the setting temperature when “flash”; Display will show the temperature for the lower chamber when normal .
- 6- Temperature Display for upper chamber of drawer fridge.
 

The LED display will show the setting temperature when “flash”; Display will show the temperature for the lower chamber when normal .
- 7- °C/°F Display
- 8- Up 

Used to raise (warm)the set temperature by 1°C or 1°F .
- 9- Down 

Used to lower (cool) the set temperature by 1°C or 1°F .
- 10- Power
 

To control the appliance turn on/off. To turn off the appliance, touch the mark and hold for at least 5 seconds. Press  again, turn on the appliance. The LED readout will show the original temperature set previously when restart the appliance or reconnect after power cuts .

### ● INSTALLATION

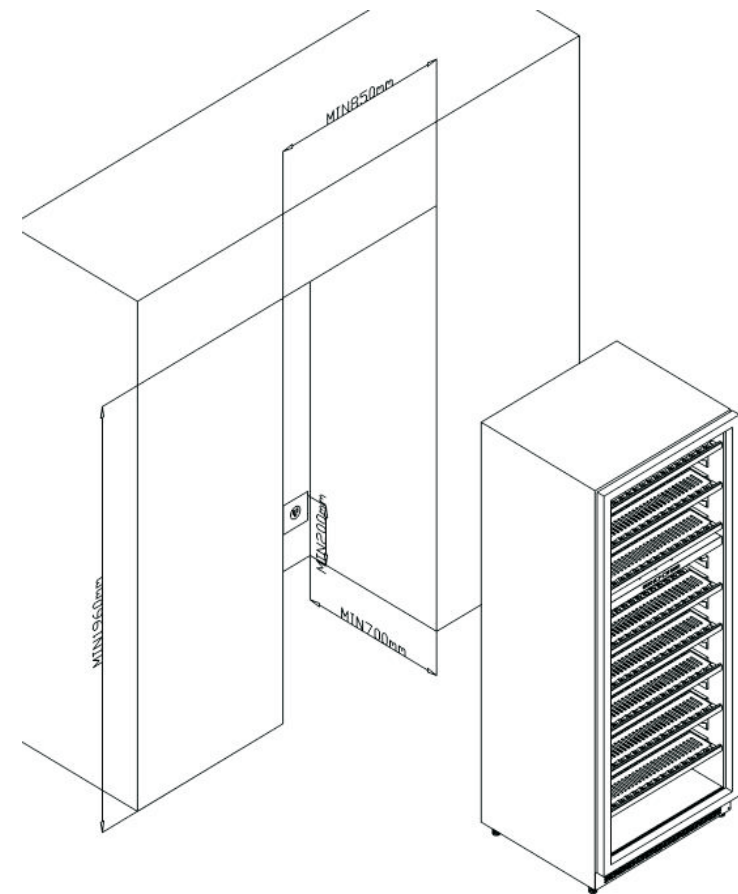
Before installing, carefully read the instruction in the end in order to avoid a certain number of problems.

#### Cutout Dimensions

Your product has been designed built-in or free standing installation.

#### Dimensions of the recess

Height of housing	mm	1960
Depth of housing	mm	700
Width of housing	mm	850

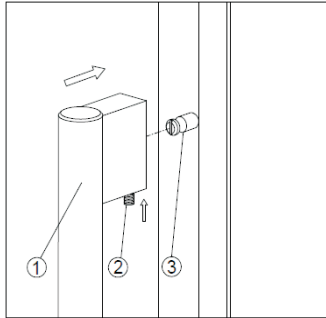






## ● Installing the Handle

Locate the handle (1) over the pins (3) of the door and tighten the handle by screwing the Allen key grub screws (2).



CAUTION: do not overtighten the screws.

## Electrical Connection

Check that the voltage marked on the product corresponds with your supply voltage.

**WARNING:** Improper use of the grounded plug can result in the risk of electrical shock. If the power cord is damaged, have it replaced by a qualified electrician or an authorized service center.

This appliance should be properly grounded for your safety. The power cord of this appliance is equipped with a three pins plug which mates with standard three pins wall outlets to minimize the possibility of electrical shock.

Do not under any circumstances cut or remove the third ground prong over cord supplied. For personal safety, this appliance must be properly grounded.

This appliance requires a standard 110 Volt AC~60Hz electrical ground outlet with three pins. Have the wall outlet and circuit checked by a qualified electrician to make sure the outlet is properly grounded. When a standard 2 pins wall outlet is encountered, it is your responsibility and obligation to have it replaced with a properly grounded 3 pins wall outlet.



The cord should be secured behind the appliance and not left exposed or dangling to prevent accidental injury.

The appliance should always be plugged into its own individual electrical outlet which has a voltage rating that matches the rating label on the appliance. This provides the best performance and also prevent overloading house wiring circuits that could cause a fire hazard from overheated. Never unplug the appliance by pulling the power cord. Always grip the plug firmly and pull straight out from the receptacle. Repair or replace immediately all power cords that have become fray Ed or otherwise damaged. Do not use a cord that shows cracks or abrasion damage along its length or at either end. When moving the appliance, be careful not to damage the power cord.

Electrical fuse protection of at least 10 amperes must be provided. If the socket is no longer accessible once the appliance has been built-in, suitable measures must be taken during electrical installation to ensure that the appliance can be disconnected from the mains.

Do not use your appliance with an extension cord unless this cord has been checked and tested by a qualified technician or service person. The extension cord must be a VED-Listed, 3 wire grounding extension cord that has a grounding plug and outlet and that the electrical rating of the cord is 110 volts and at least 10 amperes.

## Operating Your Appliance

The appliance be placed in a position where the ambient temperature is between 5-38°C/41-100°F . Humidity level is between 45~90%. If the position is above or below this range, the performance of the unit may be affected. For example, placing your unit in extreme cold or hot conditions may cause interior temperature to fluctuate.

### NOTE:

- When you use the appliance for the first time or restart the appliance after having been shut off for a long time, there could be a few degrees variance between the temperature you select and the one indicated on the LED readout . This is normal and it is due to the length of the activation time. Once the appliance is running for a few hours everything will be back to normal.
- If the unit is unplugged, power lost, or turned off, you must wait 3 to 5 minutes before restarting the unit. If you attempt to restart before this time delay, the wine cooler will not start.