

FGMO3067U D/F

MICROWAVE

30" BUILT-IN WITH
DROP-DOWN DOOR

Smudge-Proof™
Stainless Steel



AVAILABLE COLORS



Black Stainless Stainless

SIGNATURE FEATURES



Fits-More™ Microwave

Extra-large microwave provides 1.6 cu. ft. of cooking space.



Drop-Down Door

Faster, easier access to what you are cooking with the Drop-Down Door configuration.



Interior LED Lighting

LED interior microwave light stays on while your dish cooks.



Extra-Large 14-3/16" Diameter Glass Turntable

Big bowls and large casserole dishes are no problem for our extra-large glass turntable. It rotates for even cooking.

PRODUCT DIMENSIONS

Height	19-1/4"
Width	30"
Depth	19-3/4"

MORE EASY-TO-USE FEATURES

Sensor Cooking Options

Microwave automatically adjusts power levels and cooking times to cook a variety of items, effortlessly.

Effortless™ Reheat

Reheat almost anything at the touch of a button.

Smudge-Proof™ Black Stainless Steel

Practical has never looked so stylish with Smudge-Proof™ Black Stainless Steel, a beautiful new finish with an easy-to-clean fingerprint-resistant surface.

Smudge-Proof™ Stainless Steel

Resists fingerprints and cleans easily.

Approved Over Frigidaire® Electric Wall Ovens

Approved for installation above any of our Single Electric Wall Ovens.

FGMO3067U D/F MICROWAVE

30" BUILT-IN WITH DROP-DOWN DOOR

FRIGIDAIRE
GALLERY

FEATURES

Control/Timing System	Ready-Select*
Exterior Door Finish	Smudge-Proof™ Stainless
Handle Design	Smudge-Proof™ Stainless
Microwave Capacity (Cu. Ft.)	1.6
Watts (IEC-705 Test Procedure)	950
Interior LED Light	Yes
Interior Color	Stainless Steel
Turntable Diameter	14-3/16"
Control Lock	Yes
Clock	Yes
Touch Pad Buttons	24
Power Levels	High (1-9)

MICROWAVE CONTROL OPTIONS

Popcorn Button	Yes
Baked Potato Button	Yes
Sensor Reheat Button	Yes
Beverage Button	Yes
Melt & Soften Options	2/2
Auto Defrost Options	3
Multi-Stage Cooking Option	Yes
Keep Warm	Yes
Add-30-Seconds	Yes
Sensor Cooking Options	5
Vegetable Cook Sensor	Yes
User Preferences	Yes

POWER RATINGS

Frequency (MHz)	2,450
Watts @ 120 Volts	1,650
Amps @ 120 Volts	14

SPECIFICATIONS

Oven Interior (HxWxD)	9-7/8" x 16-9/16" x 16-9/16"
Power Supply Connection Location	Rear
Voltage Rating	120V / 60Hz / 15A
Connected Load (kW Rating) @ 120 Volts ¹	1.65
Minimum Circuit Required (Amps)	15
Plug Type (NEMA)	LCDI (5-15P)
Shipping Weight (Approx.)	87 Lbs.

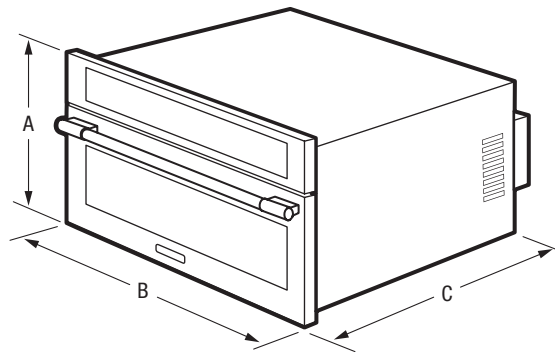
¹For use on adequately wired 120V, dedicated circuit having 2-wire service with a separate ground wire. Appliance must be grounded for safe operation.

PRODUCT DIMENSIONS

A - Height	19-1/4"
B - Width	30"
C - Depth	19-3/4"
Depth with Door Open 90°	40-3/4"

CUTOUT DIMENSIONS

Height (Min.)	17-3/4"
Height (Max.)	18"
Width (Min.)	28"
Width (Max.)	28-3/8"
Depth (Min.)	22"



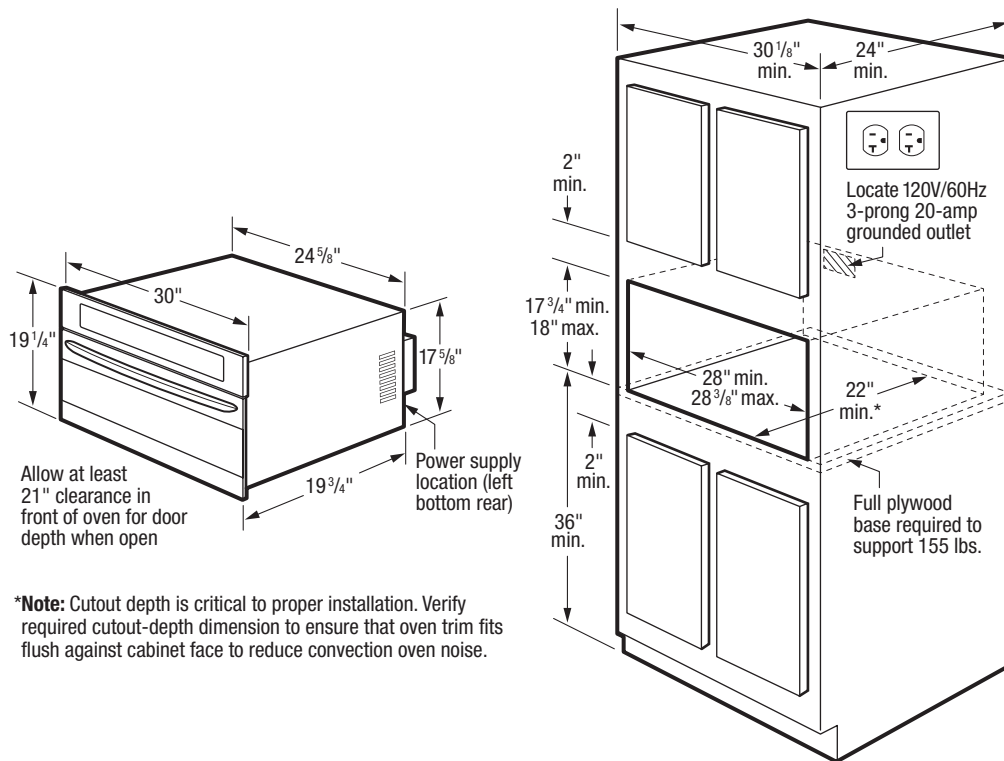
Note: For planning purposes only. Always consult local and national electric, gas and plumbing codes. Refer to Product Installation Guide for detailed installation instructions on the web at frigidaire.com.

Specifications subject to change. Accessories information available on the web at frigidaire.com

FRIGIDAIRE

USA • 10200 David Taylor Drive • Charlotte, NC 28262 • 1-800-FRIGIDAIRE • frigidaire.com
CANADA • 5855 Terry Fox Way • Mississauga, ON L5V 3E4 • 1-800-265-8352 • frigidaire.ca

FGMO3067U 08/18
© 2018 Electrolux Home Products, Inc.



INSTALLATION SPECIFICATIONS

- Product Shipping Weight (Approx.) - 87 Lbs.
- Voltage Rating - 120V/60 Hz/15 Amps
- Connected Load (kW Rating) @ 120 Volts = 1.65 kW
(For use on adequately wired 120V, dedicated circuit having 2-wire service with a separate ground wire. Appliance must be grounded for safe operation.)
- Amps @ 120 Volts = 14 Amps
- Always consult local and national electric codes.
- Allow 21" minimum clearance for 90° door swing.
- Minimum 20" deep oven cutout dimension is critical for proper installation for oven and faceplate to fit flush against cabinet front.
- Consult local building code, in the event that cutout opening may be required to be enclosed with sides, ceiling and rear partition.
- Full oven base of solid plywood or similar material required, capable of supporting 155 Lbs.
- Base must be level and front of cabinet square for proper operation.
- Grounded outlet should NOT be located in shaded area, as indicated, UNLESS cabinet depth is greater than 21".
- Can NOT be installed above any gas wall oven.
- Built-In Microwave is approved to be used in combination with any Frigidaire® Electric Single Wall Oven and/or Warmer Drawer. (Refer to model-specific Combination Installation Specification pages on web.)
- When used in combination with another Frigidaire® built-in product, a minimum clearance of 3" required from bottom of Built-In Microwave cutout to top edge of companion product's faceplate, leaving a 2-1/8" visible gap between both product faceplates.

