

FREEZER *use & care*

Important Safety Information	2	Care and Cleaning	9
Features	4	Power/Freezer Failure	11
Installation	5	Troubleshooting	12
Saving Energy	7	Limited Warranty	15
Controls and Settings.....	8		

2


IMPORTANT SAFETY INFORMATION



WARNING

Please read all instructions before using this appliance.

Safety Definitions

 This is the safety alert symbol. It is used to alert of potential personal injury hazards. Obey all safety messages that follow this symbol to avoid possible injury or death.



DANGER

DANGER indicates an imminently hazardous situation which, if not avoided, will result in death or serious injury.



WARNING

WARNING indicates a potentially hazardous situation which, if not avoided, could result in death or serious injury.



CAUTION

CAUTION indicates a potentially hazardous situation which, if not avoided, may result in minor or moderate injury.



IMPORTANT

IMPORTANT indicates installation, operation or maintenance information which is important but not hazard-related.



DANGER



DANGER Risk of fire or explosion. Flammable refrigerant used. Do not use mechanical devices to defrost refrigerator. Do not puncture refrigerant tubing.

DANGER Risk of fire or explosion. Flammable refrigerant used. To be repaired only by trained service personnel. Use only manufacturer-authorized service parts. Any repair equipment used must be designed for flammable refrigerants. Follow all manufacturer repair instructions. Do not puncture refrigerant tubing.



CAUTION



CAUTION Risk of fire or explosion. Dispose of refrigerator properly in accordance with the applicable federal or local regulations. Flammable refrigerant used.

CAUTION Risk of fire or explosion due to puncture of refrigerant tubing. Follow handling instructions carefully. Flammable refrigerant used.



WARNING

CALIFORNIA RESIDENTS ONLY
Cancer and Reproductive Harm
www.P65Warnings.ca.gov

Child Safety

Destroy or recycle the carton, plastic bags, and any exterior wrapping material immediately after the appliance is unpacked. Children should **NEVER** use these items to play. Cartons covered with rugs, bedspreads, plastic sheets or stretch wrap may become airtight chambers, and can quickly cause suffocation.

Safety Instructions

- DO NOT store or use gasoline, or other flammable liquids in the vicinity of this or any other appliance. Read product labels for warnings regarding flammability and other hazards.
- DO NOT operate the appliance in the presence of explosive fumes.
- Avoid contact with any moving parts of automatic ice maker.
- Remove all staples from the carton. Staples can cause severe cuts, and also destroy finishes if they come in contact with other appliances or furniture.



WARNING

This appliance is not intended for use by persons (including children) with reduced physical, sensory or mental capabilities, or lack of experience and knowledge, unless they have been given supervision or instruction concerning use of the appliance by a person responsible for their safety.

IMPORTANT SAFETY INFORMATION

Proper Disposal of Your Appliance

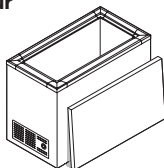
Risk of child entrapment

Child entrapment and suffocation are not problems of the past. Junked or abandoned appliances are still dangerous – even if they will sit for “just a few days”. If you are getting rid of your old appliance, please follow the instructions below to help prevent accidents.

We strongly encourage responsible appliance recycling/disposal methods. Check with the utility company or visit energystar.gov/recycle for more information on recycling an old refrigerator.

Before you throw away your old appliance:

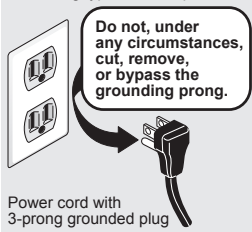
- Remove lid.
- Have the refrigerant removed by a qualified service technician.



WARNING

Avoid fire hazard or electric shock. Do not use an extension cord or an adapter plug. Do not remove any prong from power cord.

Grounding type wall receptacle



Power cord with 3-prong grounded plug

Electrical Information

These guidelines must be followed to ensure that safety mechanisms in the design of this freezer will operate properly.

- Refer to the serial plate for correct electrical rating. The power cord of the freezer is equipped with a 3-prong grounding plug for your protection against electrical shock hazards. It must be plugged directly into a properly grounded 3-prong receptacle, protected with a 15-amp time delay fuse or circuit breaker. The receptacle must be installed in accordance with the local

codes and ordinances. Consult a qualified electrician. Receptacles protected by Ground Fault Circuit Interrupters (GFCI) are NOT RECOMMENDED. Do not use an extension cord or ungrounded (2-prong) adapter.

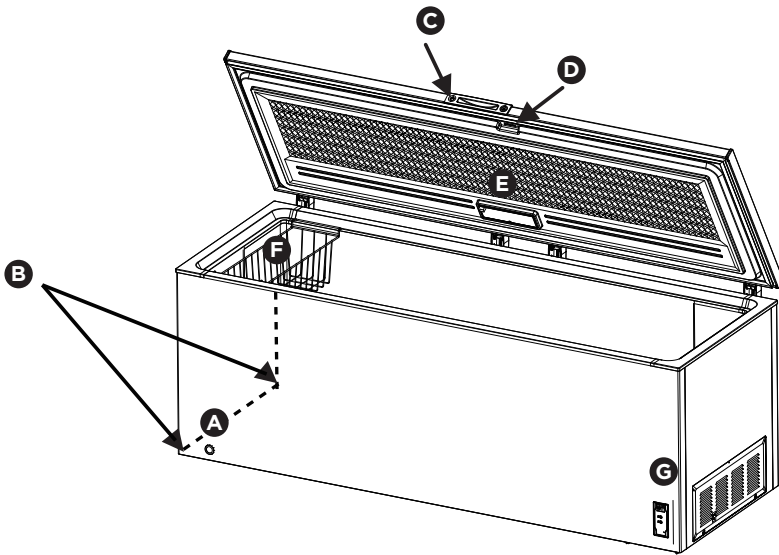
- If the power cord or plug is damaged, DO NOT USE until it is replaced by an authorized service technician to prevent any risk.
- Never unplug the freezer by pulling on the power cord. Always grip the plug firmly, and pull straight out from the receptacle to prevent damaging the power cord.
- Unplug the freezer before cleaning and before defrosting to avoid electrical shock.
- If voltage varies by 10% or more, freezer performance may be affected. Operating the appliance with insufficient power can damage the motor. Such damage is not covered under the warranty. If you suspect your household voltage is high or low, consult your power company for testing.
- To prevent the freezer from being turned off accidentally, do not plug appliance into an outlet controlled by a wall switch or pull cord.
- Do not pinch, knot, or bend power cord in any manner.
- To ensure safety, it is not recommended to place electrical appliances on top or inside the freezer.

Other Precautions

- To defrost freezer, always unplug appliance first.
- Never unplug the appliance by pulling on the power cord. Always grip the plug firmly and pull straight out from the receptacle.
- Turning the temperature control to OFF turns off the compressor, but does not disconnect power to other electrical components.
- Gaps between the freezer doors and between doors and the freezer body are small. **NOTE:** Do not put your hand in these areas to prevent squeezing.
- Do not place items such as bottled or sealed containers of fluid in the freezer to prevent bursts and other losses.

4

FEATURES



A	Defrost Drain Plug	The defrost drain provides a method of draining the water during defrosting and cleaning. See Defrosting in CARE AND CLEANING .
B	Leveling Legs (Left - Front & Rear)	See Leveling in INSTALLATION .
C	Power-On Light	The green Power On light indicates that the freezer is properly connected to electrical power. The light glows even when the temperature control is turned to OFF. If the light goes out, refer to "Light Is Not On" in TROUBLESHOOTING .
D	Security Lock with Pop-Out Key	The Security Lock feature fastens the lid snugly, ensuring the stored food is secure. To lock or unlock the freezer, push the key into the lock and turn. The key pops out of the lock after it has been turned.
E	LED Light	The freezer features maintenance-free LED lighting. To replace, contact an authorized service technician.
F	Slide-Aside Basket	This basket helps organize odd-shaped items. To reach other packages in the freezer, slide the basket aside or lift it out.
G	Temperature Control Panel	See CONTROLS AND SETTINGS .



WARNING

To prevent a child from being entrapped, keep keys out of reach of children and not in the vicinity of the appliance.

This Use & Care Manual provides general operating instructions for your model. Use the appliance only as instructed in this Use & Care Manual. **Before starting the appliance, follow these important first steps.**

Inspection

Inspect the underside of the cabinet and packaging for damage, similar to what can be caused with a forklift. If hidden damage is found after uncrating, immediately call the delivery carrier and request an inspection. Retain all packaging and crating materials until the inspection is complete.

Parts and Accessories

- Cut along the perimeter of the carton as indicated.
- Lift the carton off the product.
- Remove the package containing the casters from the appliance.

Location

Choose a location with a grounded electrical outlet – avoid using any Ground Fault Circuit Interrupter (GFCI) outlets.

Do not use an extension cord or ungrounded (2-prong) adapter. At the rear of the appliance, pull the power cord straight out of the protective shipping enclosure and unwind enough of the power cord to plug into the electrical outlet.

For the most efficient operation, place the appliance where surrounding temperatures will not exceed 110°F (43°C) or drop below 40°F (5°C). **Do not** use additional compressor heaters.

Allow the following clearances for ease of installation, proper air circulation:

Top	27.5 in. (70 cm)
Sides	7.87 in. (20 cm)

Tip: Use this commercial appliance only at altitudes lower than 2000 meters.

Insulation

The insulated space of this cabinet is sealed to maintain peak efficiency. **DO NOT** drill holes in the cabinet. Holes drilled in the cabinet may destroy that seal and damage electrical wiring located in the insulated space. It may also pierce and damage the sealed refrigeration system in the insulated space.

DAMAGED ELECTRICAL WIRING OR WET INSULATION CAUSED BY DRILLING WILL VOID THE WARRANTY.

Caster installation (optional)

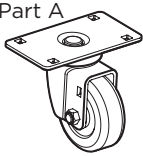
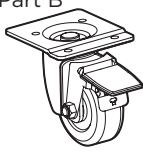
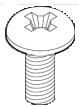


WARNING

Unplug the appliance from power source and empty contents before caster installation. Lock and secure lid to prevent opening during caster installation.

The appliance comes with a caster installation kit shipped in basket of chest freezer. The casters allow ease of moving the appliance to its final location. The casters can be then be locked into place.

Required Tool: Wrench

Caster Kit contents:	
Part A 	4 Casters without brakes
Part B 	2 Casters with brakes
	16 screws

6

INSTALLATION

To install the casters:

1. Move appliance to a work area that provides sufficient clearance on all 4 sides to allow easy handling and access to the appliance.
2. Cover the floor area behind the appliance with a protective material to prevent damage while it is resting on its back during the caster installation.



CAUTION

Two or more people are required to rotate and tilt the appliance on its back, allowing accessibility to all sides.

3. Remove the adjustable leveling legs already installed on the appliance by unscrewing counterclockwise, as they are not required when using casters.
4. Remove casters and screws from the caster kit. The Part A casters are installed on the right front and rear compressor side of the appliance. The Part B casters are installed on the left front and rear of the appliance (with brake lever facing outside). Align the caster holes with the corresponding screw holes in the mounting locations. See Figure 1.

5. After casters are installed, with the help of an assistant, carefully lift and rotate the appliance to its upright position. Move the appliance to the desired location, and engage brakes on the 2 left casters.
6. Wait a minimum of 2 hours before connecting the appliance to an AC power source. Avoid using a Ground Fault Circuit Interrupter (GFCI) outlet. Do not use an extension cord.
7. Load the appliance after the desired operating temperature is reached.



WARNING

Castors with brakes are to stop chest freezer movement on level ground only. They are not intended to prevent movement on an uneven or sloping floor.

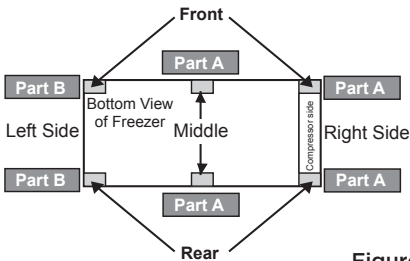


Figure 1

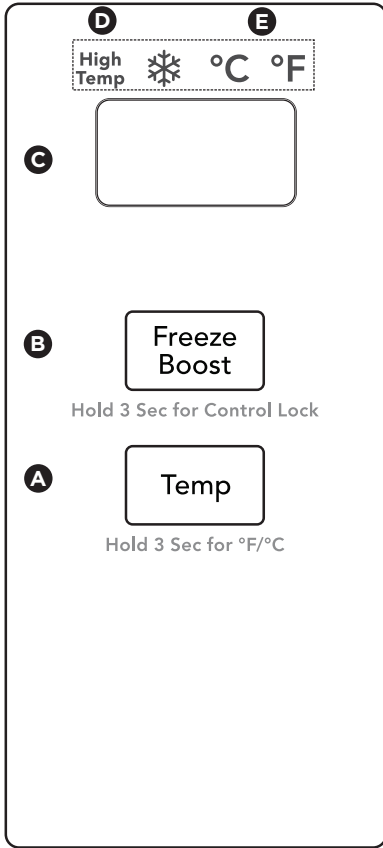


- The freezer should be located in the coolest area of the room, away from heat producing appliances or heating ducts, and out of direct sunlight.
 - Let hot foods cool to room temperature before placing in the unit. Overloading the freezer forces the compressor to run longer. Foods that freeze too slowly may lose quality or spoil.
 - Be sure to wrap foods properly and wipe containers dry before placing them in the unit. This cuts down on frost build-up inside the freezer.
 - Organize and label food to reduce lid openings and extended searches. Remove as many items as needed at one time, and close lid as soon as possible.
-

8

CONTROLS AND SETTINGS

Temperature Control*



*This graphic is for reference only. The configuration varies by model.

- A. Temperature Setting** Press **Temp** to display the freezer temperature. Press Temp continuously to cycle through the temperature setting as follows:

°C	-12°C → -13°C → -14°C → ... → -18°C → ... → -22°C → -23°C → -24°C
°F	10°F → 8°F → 7°F → ... → 0°F → ... → -9°F → -10°F → -11°F

- B. Freeze Boost** Press **Freeze Boost** to illuminate ❄️. The temperature will display **-24°C/-11°F**. Press **Freeze Boost** to exit.

- C. Temperature Display** After the freezer powers on, the temperature display will stay lit for 3 seconds, and then the freezer will enter normal operation, and display the set temperature if there is no power failure. If there is a power failure, the display will show an error code.

The temperature display will go in sleep mode 30 seconds after you confirm the temperature. When the temperature display shows **ON**, press **Temp** and **Freeze Boost** for 5 seconds to enter sleep mode. When the temperature display shows **OF**, press **Temp** and **Freeze Boost** for 5 seconds to exit sleep mode.

- D. High Temp** The temperature display will show **High Temp** if the freezer elevates above the set temperature.
- E. °C/°F** Press **Temp** for 3 seconds to convert the temperature setting from **°C** to **°F**.

Lock/Unlock

To lock the temperature setting, press and hold **Freeze Boost** for 3 seconds. The display will blink once, and the temperature will remain set. The display will blink twice to remind you it is locked if you try to change the setting.

To unlock the temperature setting, press and hold Freeze Boost for 3 seconds. The display will blink once, and the temperature setting can be changed.

Power Failure

After a power failure, when power is restored, all settings except super freeze will resume operation.

Failure Code

If you see the failure code below on the display, call your service provider:

E2	Temperature sensor failure
-----------	----------------------------

**CAUTION**

Damp objects stick to cold metal surfaces. Do not touch interior metal surfaces with wet or damp hands.

Between Defrostings

To avoid frequent defrosting, occasionally use a plastic scraper to remove frost. Scrape with a pulling motion. Never use a metal instrument to remove frost.

**CAUTION**

The appliance must be unplugged (to avoid electrical hazard) from power source when cleaning or defrosting appliance.

Defrosting

It is important to defrost and clean the appliance when $\frac{1}{4}$ to $\frac{1}{2}$ inch of frost has accumulated. Frost may tend to accumulate faster on the upper part of the appliance due to warm, moist air entering the appliance when the door is opened. Remove food and leave the lid open when defrosting the appliance.

To use the defrost drain, place a shallow pan beneath the drain outlet (Figure 1).

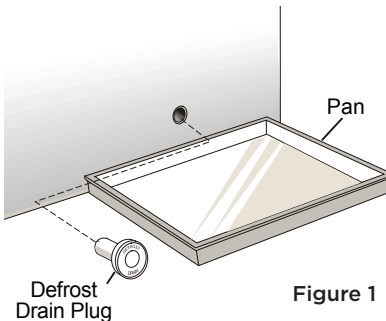


Figure 1

Pull out the drain plug inside the appliance, and pull off the outside defrost drain plug (Figure 2). Defrost water will drain out. Check pan occasionally so water does not overflow. Replace the drain plugs when defrosting is completed.

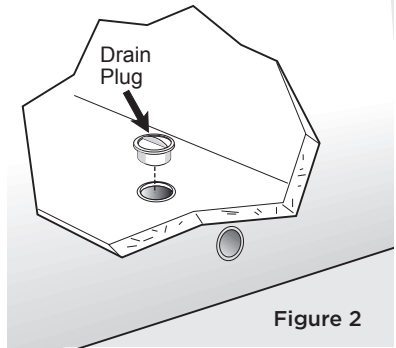


Figure 2

If the frost is soft, remove it by using a plastic scraper. If the frost is glazed and hard, fill deep pans with hot water and place them on the appliance bottom. Close the lid. Frost should soften in about 15 minutes. Repeat this procedure if necessary.

10 CARE AND CLEANING

Cleaning the Inside

After defrosting, wash inside surfaces of the appliance with a solution of 2 table-spoons (25 grams) of baking soda in 1 quart (1.136 litres) warm water. Rinse and dry. Wring excess water out of the sponge or cloth when cleaning in the area of the controls, or any electrical parts.

Wash the removable parts with the baking soda solution mentioned above, or mild detergent and warm water. Rinse and dry. **Never** use metallic scouring pads, brushes, abrasive cleaners, or alkaline solutions on any surface. Do not wash removable parts in a dishwasher.

Cleaning the Outside

Wash the cabinet with warm water and mild liquid detergent. Rinse well and wipe dry with a clean soft cloth. Replace parts and food.



WARNING

If leaving the lid open while on vacation, make certain that children cannot get into the appliance and become entrapped.

Long Vacations: If the appliance will not be used for several months, remove all food and unplug the power cord. Clean and dry the interior thoroughly. To prevent odor and mold growth, leave the lid open slightly, blocking it open if necessary.

Moving: Disconnect the power cord plug from the wall outlet. Remove food, defrost, and then clean the appliance. Secure all loose items, such as baskets, by taping them securely in place to prevent damage. In the moving vehicle, secure the freezer in an upright position, and secure to prevent movement. Also protect outside of the appliance with a blanket, or similar item.



NOTE

Do not open the lid unnecessarily if appliance is off for several hours.

If a power failure occurs, frozen foods will stay frozen for at least 24 hours if the appliance is kept closed. If the power failure continues, pack 7 or 8 pounds of dry ice into the appliance every 24 hours. Look in the Yellow Pages under "Dry Ice," "Dairies," or "Ice Cream Manufacturers" for local dry ice suppliers. Always wear gloves and use caution when handling dry ice.

If the appliance has stopped operating, see "Appliance Does Not Run" in **TROUBLE-SHOOTING**. If you cannot solve the problem, call an authorized servicer immediately.

1-800-374-4432 (United States)
1-800-265-8352 (Canada)

Visit our web site at
Frigidaire.com

Before calling for service, review this list. It may save you time and expense. This list includes common occurrences that are not the result of defective workmanship or materials in this appliance.

Concern	Potential Cause	Common Solution
APPLIANCE OPERATION		
Appliance does not run.	<ul style="list-style-type: none"> • Appliance is plugged into a circuit that has a ground fault interrupt. • Temperature Control is in the OFF position. • Appliance may not be plugged in or plug may be loose. • House fuse blown or tripped circuit breaker. • Power outage. • The appliance might not operate consistently when placed for an extended period of time in a location below the cold end of the range of temperature for which the appliance is designed. 	<ul style="list-style-type: none"> • Use another circuit. If you are unsure about the outlet, have it checked by a qualified electrician. • See CONTROLS AND SETTINGS section. • Ensure plug is tightly pushed into the outlet. • Check/replace fuse with a 15-amp time delay fuse. Reset circuit breaker. • Check house lights. Call a qualified electrician. • Place the appliance in a location consistent with the temperature range for which it was designed. See Location in the INSTALLATION section.
Appliance runs too much or too long.	<ul style="list-style-type: none"> • Room or outside weather is hot. • Appliance has recently been disconnected for a period of time. • Large amount of warm or hot food have been stored recently. • Lid is opened too frequently or too long. • Lid may be slightly open. • Temperature control is set too cold. • Gasket is dirty, worn, cracked, or poorly fitted. • Freeze Boost switch is ON. 	<ul style="list-style-type: none"> • It's normal for the appliance to work longer under these conditions. • It takes 4 hours for the appliance to cool down completely. • Warm food will cause freezer to run more until the desired temperature is reached. • Warm air entering the appliance causes it to run more. Open door less often. • Ensure door is tightly closed. • Turn temperature control knob to a warmer setting. Allow several hours for the temperature to stabilize. • Clean or change gasket. Leaks in door seal will cause the appliance to run longer in order to maintain desired temperatures. • Deactivate Freeze Boost switch.

APPLIANCE TEMPERATURES		
Interior temperature is too cold.	<ul style="list-style-type: none"> • The temperature control is set too cold. • Freeze Boost switch is ON. 	<ul style="list-style-type: none"> • Turn the temperature control knob to a warmer setting. Allow several hours for the temperature to stabilize. • Deactivate Freeze Boost switch.
Interior temperature is too warm.	<ul style="list-style-type: none"> • Temperature control is set too warm. • Lid is open too frequently or kept open too long. • Large amounts of warm or hot food may have been stored recently. • The appliance has recently been disconnected for a period of time. 	<ul style="list-style-type: none"> • Turn temperature control knob to a colder setting. Allow several hours for the temperature to stabilize. • Warm air entering the appliance causes it to run more. Open the lid less often. See LID PROBLEMS. • Wait until the freezer has had a chance to reach its selected temperature. • The appliance requires 24 hours to cool down completely.
External temperature is warm	<ul style="list-style-type: none"> • The external walls can be as much as 30°F warmer than room temperature. • The appliance might not operate consistently when placed for an extended period of time in a location below the cold end of the range of temperature for which the appliance is designed. 	<ul style="list-style-type: none"> • This is normal while the compressor works to transfer heat from inside the cabinet. • Place the appliance in a location consistent with the temperature range for which it was designed. See Location in the INSTALLATION section.
SOUND AND NOISE		
Louder sound levels when the appliance is on.	<ul style="list-style-type: none"> • Modern freezers have increased storage capacity and more stable temperatures. They require a high efficiency compressor. 	<ul style="list-style-type: none"> • This is normal. When the surrounding noise is low, you might hear the compressor running while it cools the interior.
Longer sound levels when compressor comes on.	<ul style="list-style-type: none"> • The appliance operates at higher pressures during the start of the ON cycle. 	<ul style="list-style-type: none"> • This is normal. Sound will level off or disappear as the appliance continues to run.
Popping or cracking sound when compressor comes on.	<ul style="list-style-type: none"> • Metal parts undergo expansion and contraction, as in hot water pipes. 	<ul style="list-style-type: none"> • This is normal. Sound will level off or disappear as the appliance continues to run.

14 TROUBLESHOOTING

Bubbling or gurgling sound, like water boiling.	<ul style="list-style-type: none">• Refrigerant (used to cool the appliance) is circulating throughout the system.	<ul style="list-style-type: none">• This is normal.
SOUND AND NOISE		
Vibrating or rattling noise.	<ul style="list-style-type: none">• The appliance is not level. It rocks on the floor when it is moved slightly.• Floor is uneven or weak. The appliance rocks on floor when it is moved slightly.• The appliance is touching the wall.	<ul style="list-style-type: none">• Level the appliance. Refer to Leveling in the INSTALLATION section.• Ensure floor can adequately support the appliance. Use leveling legs to level the appliance.• Re-level or move the appliance slightly. Refer to Leveling in the INSTALLATION section.
WATER/MOISTURE/FROST INSIDE FREEZER		
Moisture forms on inside walls.	<ul style="list-style-type: none">• Weather is hot and humid.	<ul style="list-style-type: none">• This is normal.
ODOR IN APPLIANCE		
Odor in appliance.	<ul style="list-style-type: none">• Interior needs to be cleaned.• Foods with strong odors are in the appliance.	<ul style="list-style-type: none">• Clean interior with sponge, warm water, and baking soda.• Cover the food tightly.
LID PROBLEMS		
Lid will not close.	<ul style="list-style-type: none">• The appliance is not level. It rocks on the floor when it is moved slightly.• Floor is uneven or weak.	<ul style="list-style-type: none">• Level the appliance by putting wood or metal shims under part of the appliance.• Ensure floor can adequately support appliance. Level the appliance by putting wood or metal shims under part of the appliance.
LIGHTING PROBLEMS		
Light is not on.	<ul style="list-style-type: none">• The fluorescent lamp or light bulb is burned out.• No electric current is reaching the appliance.	<ul style="list-style-type: none">• See LED Light in FEATURES.• See “Appliance does not run”.

Your appliance is covered by a one year limited warranty. For one year from your original date of purchase, Electrolux will pay all costs for repairing or replacing any parts of this appliance that prove to be defective in materials or workmanship when such appliance is installed, used and maintained in accordance with the provided instructions.

Exclusions

This warranty does not cover the following:

1. Products with original serial numbers that have been removed, altered or cannot be readily determined.
2. Product that has been transferred from its original owner to another party or removed outside the USA or Canada.
3. Rust on the interior or exterior of the unit.
4. Products purchased "as-is" are not covered by this warranty.
5. Food loss due to any refrigerator or freezer failures.
6. Products used in a commercial setting.
7. Service calls which do not involve malfunction or defects in materials or workmanship, or for appliances not in ordinary household use or used other than in accordance with the provided instructions.
8. Service calls to correct the installation of your appliance or to instruct you how to use your appliance.
9. Expenses for making the appliance accessible for servicing, such as removal of trim, cupboards, shelves, etc., which are not a part of the appliance when it is shipped from the factory.
10. Service calls to repair or replace appliance light bulbs, air filters, water filters, other consumables, or knobs, handles, or other cosmetic parts.
11. Surcharges including, but not limited to, any after hour, weekend, or holiday service calls, tolls, ferry trip charges, or mileage expense for service calls to remote areas, including the state of Alaska.
12. Damages to the finish of appliance or home incurred during installation, including but not limited to floors, cabinets, walls, etc.
13. Damages caused by: services performed by unauthorized service companies; use of parts other than genuine Electrolux parts or parts obtained from persons other than authorized service companies; or external causes such as abuse, misuse, inadequate power supply, accidents, fires, or acts of God.

DISCLAIMER OF IMPLIED WARRANTIES; LIMITATION OF REMEDIES

CUSTOMER'S SOLE AND EXCLUSIVE REMEDY UNDER THIS LIMITED WARRANTY SHALL BE PRODUCT REPAIR OR REPLACEMENT AS PROVIDED HEREIN. CLAIMS BASED ON IMPLIED WARRANTIES, INCLUDING WARRANTIES OF MERCHANTABILITY OR FITNESS FOR A PARTICULAR PURPOSE, ARE LIMITED TO ONE YEAR OR THE SHORTEST PERIOD ALLOWED BY LAW, BUT NOT LESS THAN ONE YEAR. ELECTROLUX SHALL NOT BE LIABLE FOR CONSEQUENTIAL OR INCIDENTAL DAMAGES SUCH AS PROPERTY DAMAGE AND INCIDENTAL EXPENSES RESULTING FROM ANY BREACH OF THIS WRITTEN LIMITED WARRANTY OR ANY IMPLIED WARRANTY. SOME STATES AND PROVINCES DO NOT ALLOW THE EXCLUSION OR LIMITATION OF INCIDENTAL OR CONSEQUENTIAL DAMAGES, OR LIMITATIONS ON THE DURATION OF IMPLIED WARRANTIES, SO THESE LIMITATIONS OR EXCLUSIONS MAY NOT APPLY TO YOU. THIS WRITTEN WARRANTY GIVES YOU SPECIFIC LEGAL RIGHTS. YOU MAY ALSO HAVE OTHER RIGHTS THAT VARY FROM STATE TO STATE.

If You Need Service

Keep your receipt, delivery slip, or some other appropriate payment record to establish the warranty period should service be required. If service is performed, it is in your best interest to obtain and keep all receipts. Service under this warranty must be obtained by contacting Electrolux at the addresses or phone numbers below.

This warranty only applies in the USA and Canada. In the USA, your appliance is warranted by Electrolux Major Appliances North America, a division of Electrolux Home Products, Inc. In Canada, your appliance is warranted by Electrolux Canada Corp. Electrolux authorizes no person to change or add to any obligations under this warranty. Obligations for service and parts under this warranty must be performed by Electrolux or an authorized service company. Product features or specifications as described or illustrated are subject to change without notice.

USA
1-800-374-4432
 Frigidaire
 10200 David Taylor Drive
 Charlotte, NC 28262



Canada
1.800.265.8352
 Electrolux Canada Corp.
 5855 Terry Fox Way
 Mississauga, Ontario, Canada
 L5V 3E4

FRIGIDAIRE®

welcome *home*

Our home is your home. Visit us if you need help with any of these things:



owner support



accessories



service



registration

(See your registration card for more information.)

Frigidaire.com
1-800-374-4432

Frigidaire.ca
1-800-265-8352