

FFFC13M4TW



AVAILABLE COLORS



SIGNATURE FEATURES

Casters Included

4 Optional casters allow you to conveniently move your freezer.

Adjustable Temperature Control

Select the correct temperature for your needs.

Power-On Indicator Light

Know at a glance that your freezer is working.

Lock with Pop-Out Key

The freezer key automatically ejects after locking the door so you won't leave it in the door.

FREEZER

MANUAL DEFROST
12.8 CU. FT. CHEST

PRODUCT DIMENSIONS

| | |
|------------------------|----------|
| Height (Including Lid) | 32-1/2" |
| Width | 49-1/2" |
| Depth | 29-9/16" |

MORE EASY-TO-USE FEATURES

SpaceWise® Adjustable Basket

Find items faster with removable plastic baskets that can help you organize items by categories or purchase date, and can be slid across freezer.

Color-Coordinated Handle

LED Lighting

FFFC13M4TW FREEZER

12.8 CU. FT. CHEST

FRIGIDAIRE

FEATURES

| | |
|--------------------------------|--------|
| Defrost | Manual |
| Adjustable Temperature Control | Yes |
| Interior Lighting | LED |
| SpaceWise® Removable Baskets | 1 |
| Defrost Water Drain | Yes |
| Lid Handle | Yes |
| Lock with Pop-Out Key | Yes |
| Casters (Included) | 4 |
| Power-On Light | Yes |

CERTIFICATIONS

| | |
|------------|-----------|
| CSA Rating | Household |
|------------|-----------|

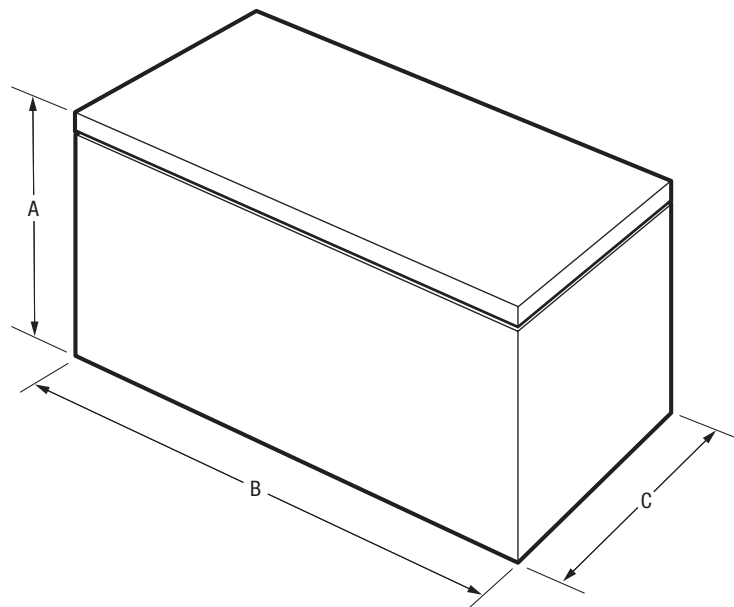
SPECIFICATIONS

| | |
|---|------------------|
| Total Capacity (Cu. Ft.) | 12.8 |
| Annual Energy (kWH) | 271 |
| Annual Energy Cost (.1065/kWH) | \$32.52 |
| Power Cord Connection Location | Left Bottom Rear |
| Voltage Rating | 115V/60Hz |
| Connected Load (kW rating) @ 115 Volts ¹ | 0.6 |
| Amps @ 115 Volts | 5 |
| Minimum Circuit Required (Amps) | 15 |
| Shipping Weight (Approx.) | 141 Lbs. |

¹An electrical supply with grounded three-prong receptacle is required. The power supply circuit must be installed in accordance with current edition of National Electrical Code (NFPA 70) and local codes & ordinances.

PRODUCT DIMENSIONS

| | |
|----------------------------|----------|
| A - Height (Including Lid) | 32-1/2" |
| B - Width | 49-1/2" |
| C - Depth | 29-9/16" |
| Height with Lid Open 90° | 59-7/8" |

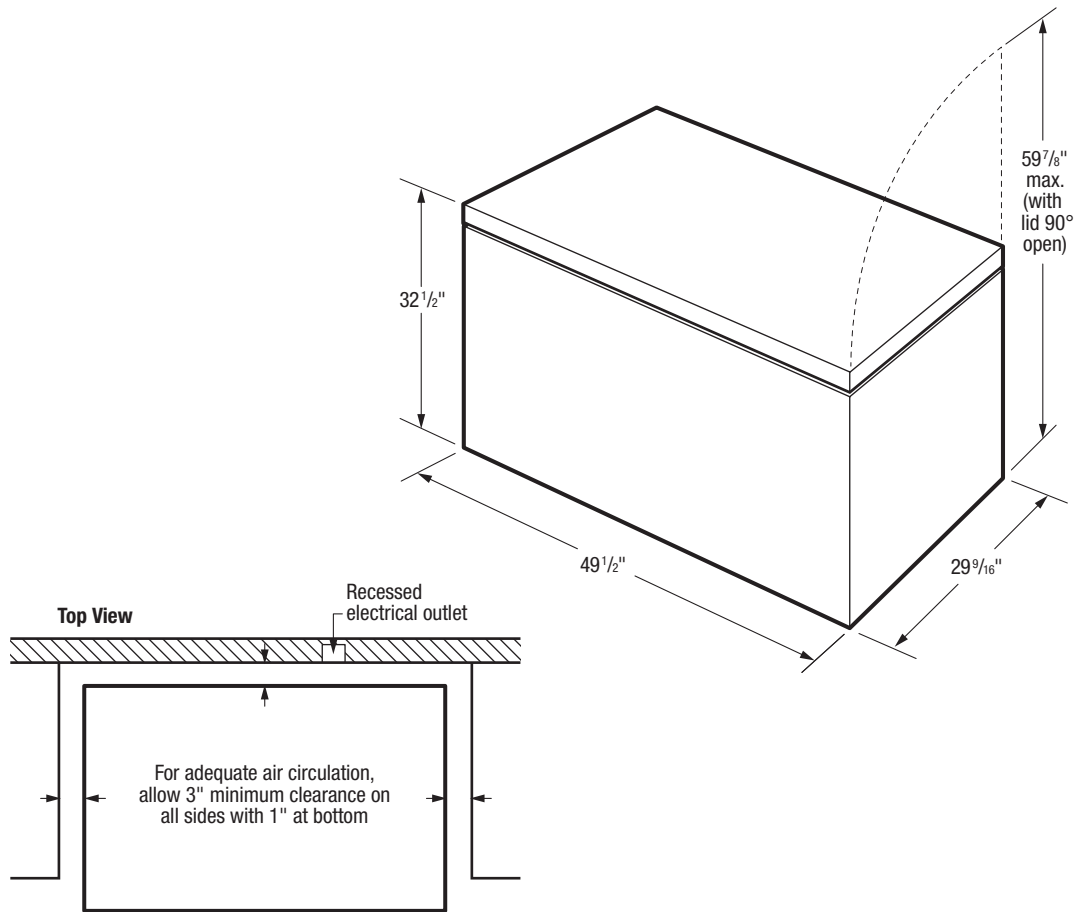


Note: For planning purposes only. Always consult local and national electric, gas and plumbing codes. Refer to Product Installation Guide for detailed installation instructions on the web at frigidaire.com / frigidaire.ca. Specifications subject to change. Accessories information available on the web at frigidaire.com / frigidaire.ca

FRIGIDAIRE

USA • 10200 David Taylor Drive • Charlotte, NC 28262 • 1-800-FRIGIDAIRE • frigidaire.com
CANADA • 5855 Terry Fox Way • Mississauga, ON L5V 3E4 • 1-800-265-8352 • frigidaire.ca

FFFC13M4T 11/17
© 2017 Electrolux Home Products, Inc.



INSTALLATION SPECIFICATIONS

- Product Shipping Weight (approx.) - 141 Lbs.
- An electrical supply with grounded three-prong receptacle is required. The power supply circuit must be installed in accordance with current edition of National Electrical Code (NFPA 70) and local codes & ordinances.
- Voltage Rating - 115V/60Hz
- Connected Load (kW Rating) @ 115 Volts = 0.6 kW
- Amps @ 115 Volts = 5 Amps
- Always consult local and national electric codes.
- For adequate air circulation, allow 3" minimum clearance on all sides with 1" at bottom.
- Locate where surrounding air temperature will not exceed 110°F, to ensure optimum performance. (Temperatures 32°F and below will NOT affect operation.)
- All bottom corners of unit **MUST** rest firmly on solid level surface of hard material, same height as flooring. Surface must be strong and stable enough to support unit when fully loaded.
- Equipped with adjustable leveling legs to ensure unit is level, which is required in order to function properly.

