

# FRIGIDAIRE

## Factory Parts Catalog



Product No.	FFFH20D1RWA
Series	134A
Color	white
Volts	115
Wiring Diagram	A02259402
Owner's Guide	A01058501
Market	North America
Energy Guide	A01695006

### **Frigidaire**

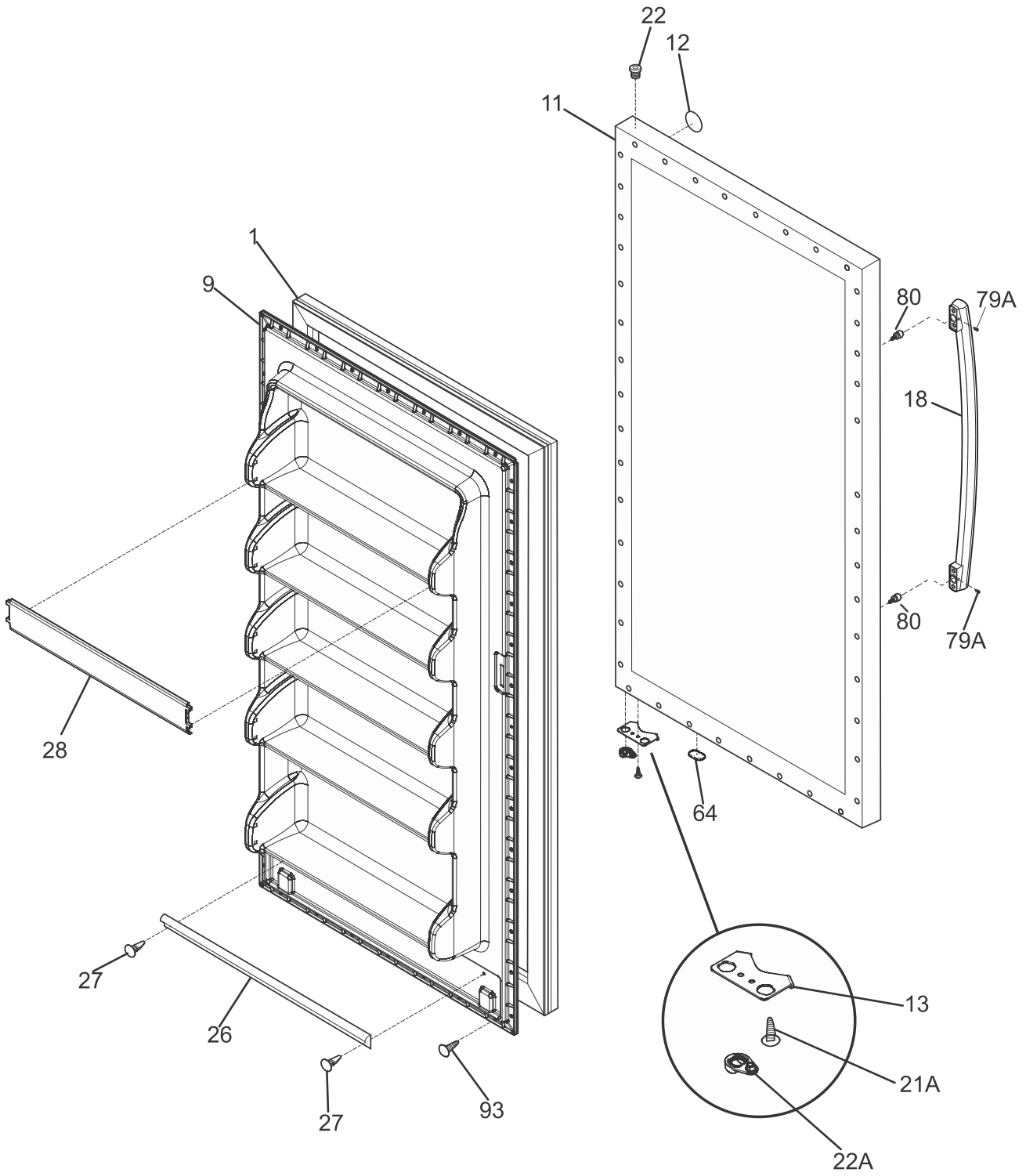
P.O. BOX 8020  
CHARLOTTE, NC 28262

### **UPRIGHT FREEZER**

Model No.  
FFFH20D1RW

Publication No.  
**5995658803**  
15/03/18  
(EN/SERVICE/)  
365

DOOR



P08D0703A

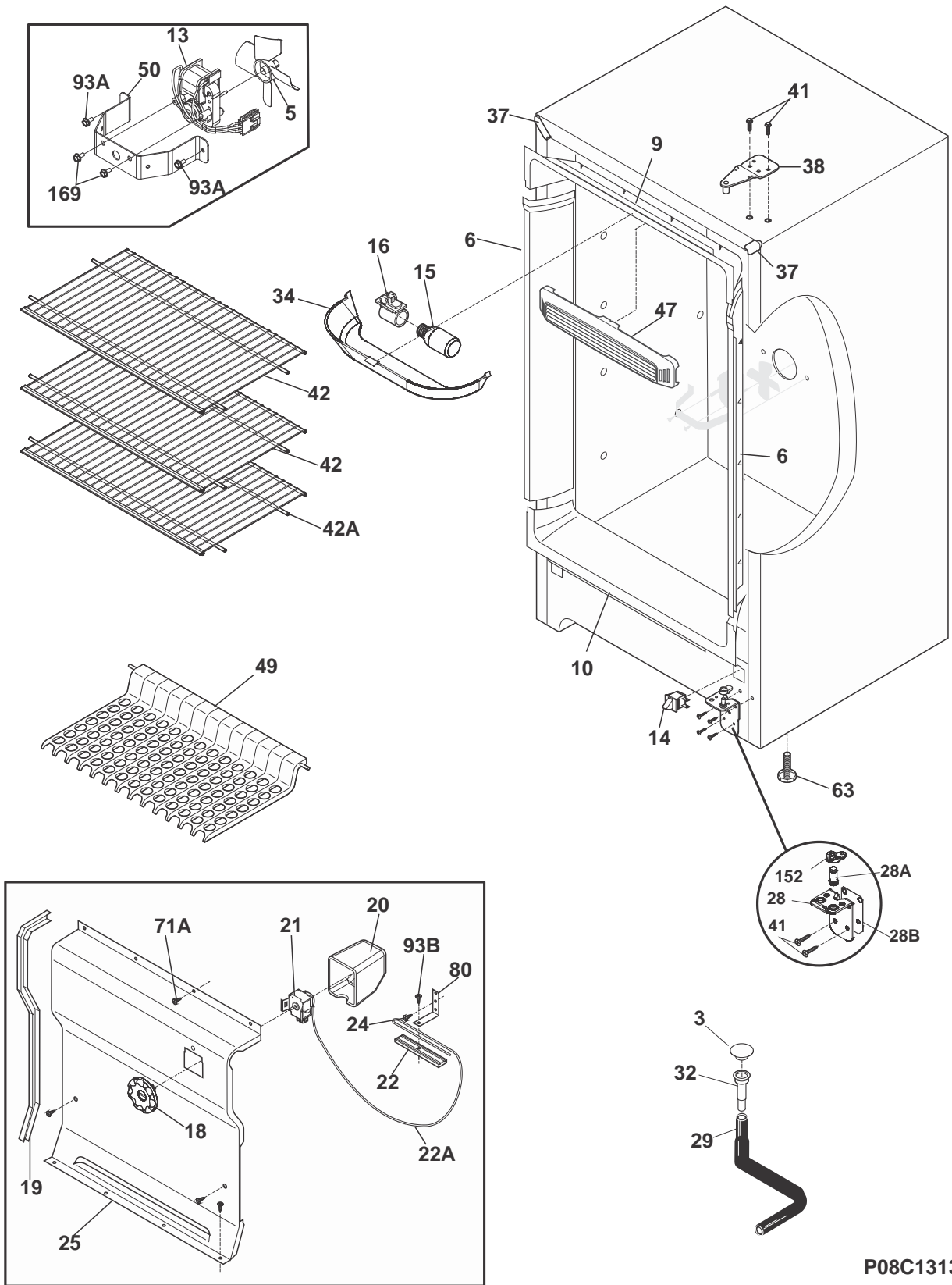
---

**DOOR**


---

POS. NO	PART NO.	DESCRIPTION
1	216522378	Gasket-door, white
9	297382901	Panel-outer
11	297316753	Panel-outer door, white
12	242062801	Nameplate, white
13	297416200	Door Stop
18	297437820	Handle, Gallery, white, assy
*	240537301	Nut-anchor, door hdl screw
21A	297197500	Screw, door stop mtg, FH38-16X.750, P Twin
22	216970802	Bearing, hinge, black, top
22A	297415900	Ramp, door closer
26	297387100	Gasket, secondary
27	5304472186	Clip, panel mtg
27*	5304406520	Clip, panel mtg kit, (40)
28	5304494023	Rack, door
41	297236250	Screw, hex head, 1/4-20x5/8, hinge
64	297014702	Plug-button, door base
79A	297295900	Screw-set
80	218755504	Screw, shoulder, #10-AB, handle mounting
93	5304460605	Screw, ph truss head, 8-18AB x 0.500
*	297410600	Screw, 8-18 X .500

CABINET



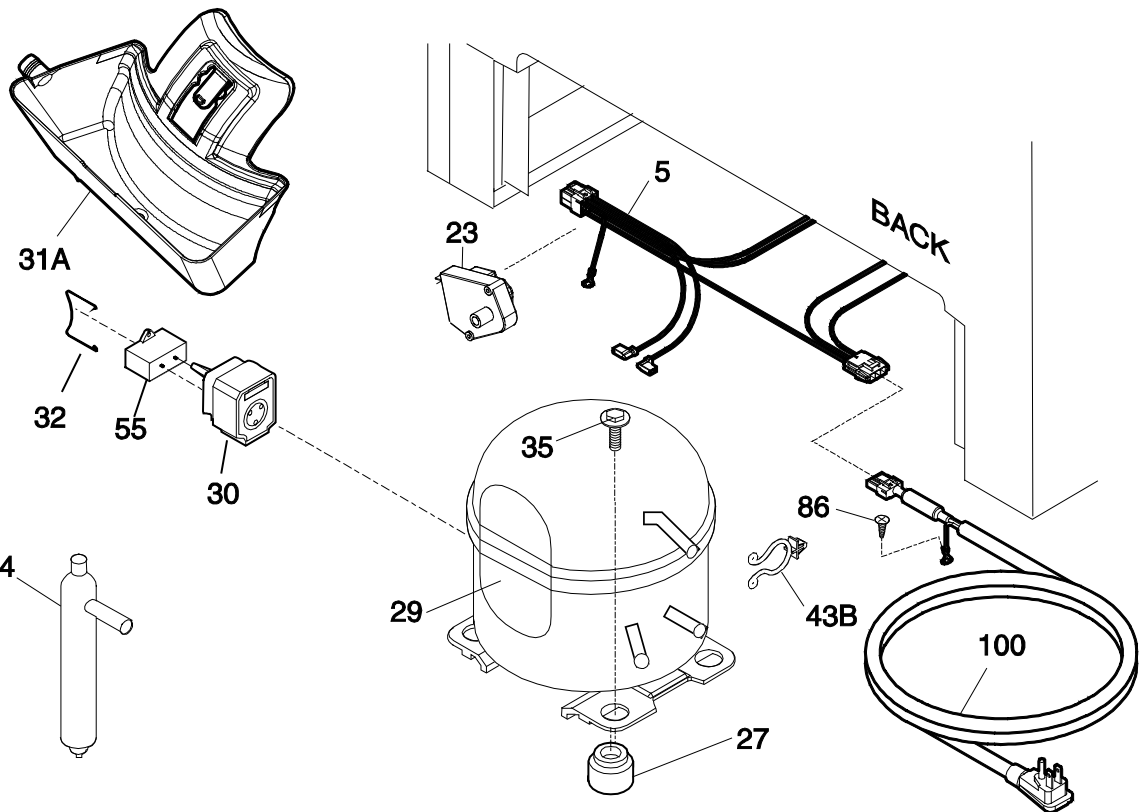
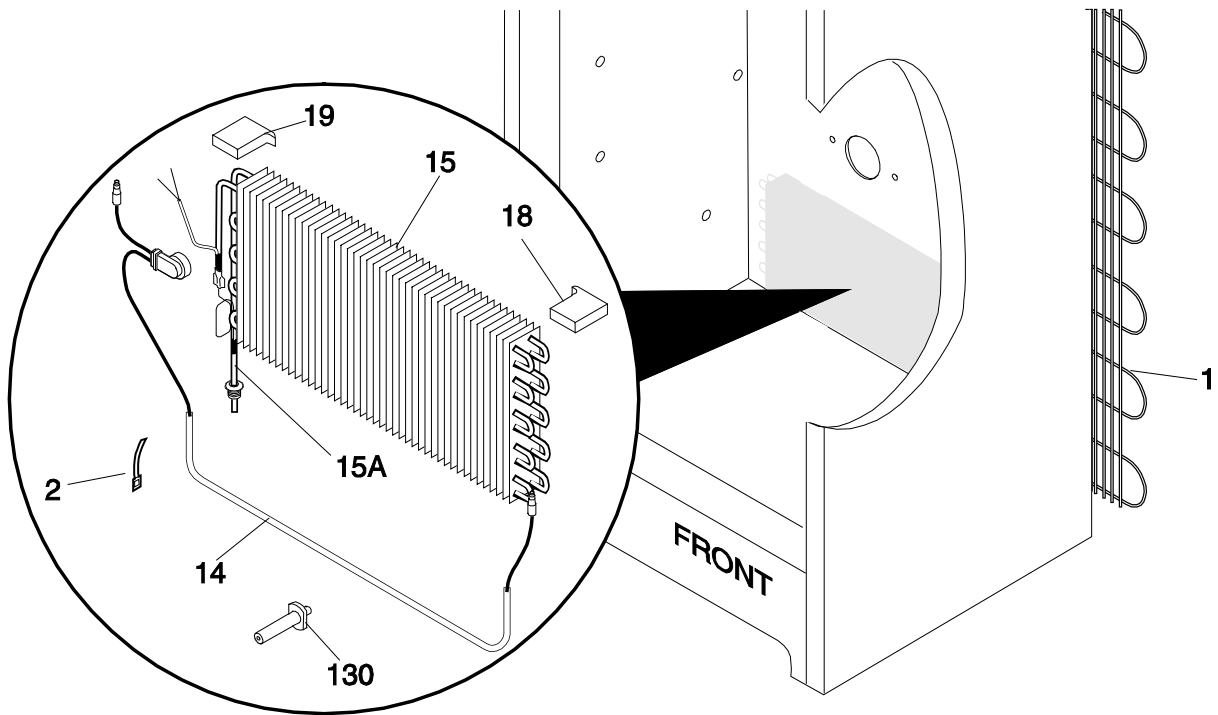
P08C1313F

## CABINET

---

POS. NO	PART NO.	DESCRIPTION
3	216503100	Screen-drain
5	297437300	Fan Blade
6	297435605	Breaker
9	297403901	Breaker, top
10	297403902	Breaker, bottom
12	242062801	Nameplate, white
13 #	297250000	Motor, fan, 115 V
14	216822900	Switch, light/lamp, ramp
15	216846400	Light Bulb/Lamp
16	297139501	Socket, light/lamp, 25 W
18	216707200	Knob, temp control
19	216204902	Gasket-evap cover
20	216967201	Cover, temp control
21 #	297216037	Control-temperature
22	216823500	Clamp, cap tube, cold control
22A	5303916855	Tube, sensor sleeve, plastic, clear
24	5304460604	Screw, type A, 10-24 x 3/8
25	297099250	Cover-evaporator
26	297415900	Ramp, door closer
28	297416301	Hinge, reversible, bottom RH
28A	297438300	Pin, bottom hinge
29	216313501	Hose-drain
32	297382000	Drain
34	297184400	Shield-light
37	297273900	Trim-cabinet corner, white, (2)
38	297283800	Hinge-upper
41	297236250	Screw, hex head, 1/4-20x5/8, hinge
42	297367500	Shelf, wire, 16.69x27.88, white, (3)
42A	297367400	SHELF WH 14.50 X 27.88
*	216502400	Grommet-shelf mtg
47	297192900	Baffle, air
49	216937700	Trivet
50	216394050	Bracket, fan motor mount
63	216396900	Screw, leveling foot, plastic, adjustable
63*	297164650	Bracket, LH leg levelor
63*	297164651	Bracket, RH leg levelor
71A	297146820	Screw, 8-18AB x.470 QX
80	06594601	Bracket, control
93	297410600	Screw, 8-18 X .500
*	5303313703	Clip, wire
93A	297174300	Screw, self pierce, #8, 18x.63
93B	216036601	Screw, RWHD, 8-32A x 0.500, GX-CA
130	297244700	Support, evaporator mtg
152	297416000	Closer, bearing hinge
169	216912401	Screw, hex washer head, 8-32 x 0.500, bracket fan mtr, (2)
170	297280400	Valve, breather
*	5304499750	Energy Guide
*	5304498525	Service Data Sheet
*	297001704	Insulation, 24", drain tube
*	216337701	Screw, HWH, 10-24 x 0.500, Swage

**SYSTEM**



R08S0542A

## SYSTEM

---

POS. NO	PART NO.	DESCRIPTION
1 #	5300083897	Condenser
2	5308000110	Strap-evap/heater, aluminum, (2)
4 #	297396820	Filter-dryer
5 #	297170200	Harness-main
14 #	5304496284	Heater, defrost, w/thermostat
15 #	297414900	Evaporator
15A	297217900	Heat Exchanger, suct/cap tube
18	297078701	Insulator-evap, styrofoam, RH
19	297078801	Insulator-evap, styrofoam, LH
23 #	297318010	Timer, defrost, 115V, tab
27	216337701	Screw, HWH, 10-24 x 0.500, Swage
29 #	297414054	Compressor
30	297259502	Controller, compressor
31A	297217001	Pan-drain
32	216954300	Clip, controller
35	297368500	Bolt, compressor
43B	297315800	Clip, wire
55 #	297286803	Capacitor-run
86	216036601	Screw, RWHD, 8-32A x 0.500, GX-CA
100#	297366804	Cord, power
130	297244700	Support, evaporator mtg
*	297014500	Plug-suction line
*	297102800	Spacer-tube
*	240555002	Screw-#8-32 X 3/8
*	297174300	Screw, self pierce, #8, 18x.63