



# Home Comfort

FRA065AT7

## Mini Compact Air Conditioner



### Product Dimensions

Height	13-2/5"
Width	18-1/2"
Depth	15-1/2"

### More Easy-To-Use Features

#### Energy and Cost Savings

The unit operates at a low voltage – conserving energy and saving you money.

#### Multi-Speed Fan

Features three different fan speeds, for more cooling flexibility.

#### Sleep Mode

Quiet operation keeps you cool without keeping you awake. Plus, Sleep Mode gradually increases room temperature after being activated.

#### Quickly Cools

Quickly cool a room on hot days.

#### Comfort Control Design

Easily control the direction of your cool air, wherever your unit is.

#### Effortless™ Restart

Automatically resumes operating at its previous settings when power is restored to your unit.

#### Clean Filter Alert

Notifies you when your filter needs to be cleaned.

#### Power Cord

Comes with an extra long three-prong cord that makes extension cords unnecessary.

#### SpaceWise® Adjustable Design Optional Side Panels

Extend so you can adjust your unit to fit your window.

#### 24-Hour On/Off Timer

Keep things cool on your schedule.

## Signature Features

### Effortless™ Temperature Control

Our air conditioners maintain the preset room temperature, so you will remain comfortable at all times.

### Ready-Select® Controls

Easily select options with the touch of a button.

### Remote Control

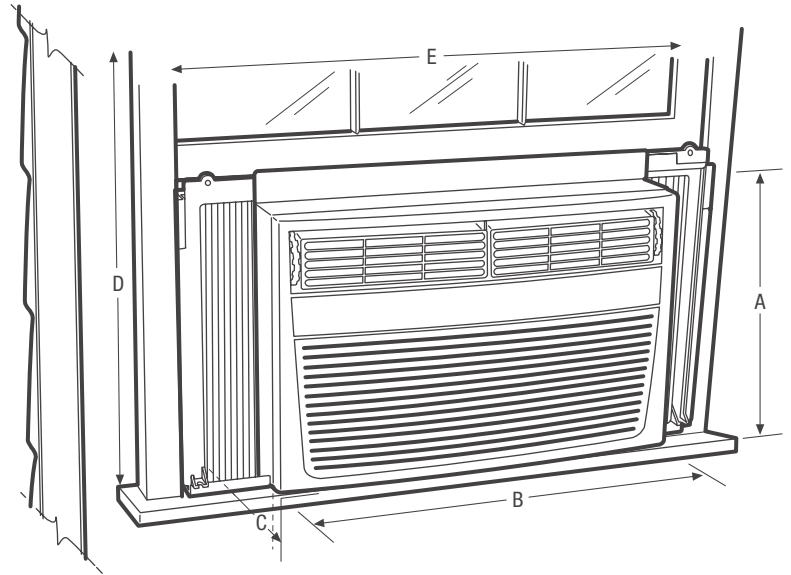
Allows you to precisely control the temperature and fan speed from across the room.

### Effortless™ Clean Filter

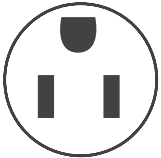
Our antibacterial filter reduces bacteria, room odors and other airborne particles for a cool, comfortable environment.

Performance	BTUs
Cool	6,000

<b>Performance</b>	
BTU (Cool)	6,000
Dehumidification (Pints/Hour)	1.3
Cool Area (Sq. Ft.)	216
Energy Efficiency Ratio	10.7
<b>Electrical</b>	
Volts	115
Amps (Cool)	5.4
Watts (Cool)	560
Length of Power Cord (Min./Max.)	6' / 6.5'
Plug Type (NEMA)	LCDFI (5-15P)
<b>Features</b>	
Electronic Controls	Ready-Select® Controls
Fan Speeds (Cool / Fan)	3 / 3
Low Voltage Start-Up	Yes
Auto Cool Function	Yes
Energy Save	Yes
Sleep Mode	Yes
Filter Check	Yes
24-Hour On / Off Timer	Yes
Clean Air Ionizer	Yes
Remote Control	Full-Function
Air CFM (High / Med / Low)	176 / 153 / 123
Air Direction Control	8-Way
Fresh Air / Exhaust Vent / Closed	No / No / Yes
Filter Type	Antibacterial Mesh
Filter Access	Tilt-Out
Slide-Out Chassis	
Window Mounting Kit (Included)	Pleated Quick Mount
Warranty <sup>1</sup>	Yes
<b>Certifications</b>	
ENERGY STAR®	
Performance	AHAM
<b>Specifications</b>	
Refrigerant	R410a
Shipping Weight (Approx.)	51 Lbs.



<sup>1</sup>Warranty 5 year sealed system / 1 year full parts and labor.



Plug Type (NEMA)  
5-15P

**NOTE:** For planning purposes only. Always consult local and national electric codes. Refer to Product Installation Guide for detailed installation instructions on the web at [frigidaire.com](http://frigidaire.com).



Product Dimensions		Window Dimensions	
A - Height	13-2/5"	D - Height (Min.)	14"
B - Width	18-1/2"	E - Width (Min./Max.)	23" / 36"
C - Depth	15-1/2"		

Accessories information available on the web at [frigidaire.com](http://frigidaire.com)

**FRIGIDAIRE**

USA • 10200 David Taylor Drive • Charlotte, NC 28262 • 1-800-FRIGIDAIRE • [frigidaire.com](http://frigidaire.com)  
 CANADA • 5855 Terry Fox Way • Mississauga, ON L5V 3E4 • 1-800-265-8352 • [frigidaire.ca](http://frigidaire.ca)

FRA065AT7 10/13

© 2013 Electrolux Home Products, Inc.

Specifications subject to change.