

Frigidaire

Factory Parts Catalog

Product No.	FAH14ER2T1	FAH14ER2T2
Series	TTW/Builder	TTW/Builder
Color	white	white
Volts	230/208	230/208
BTU-Cooling	14000/13600 BTU	14000/13600 BTU
BTU-Heating	10600/8600 BTU	10600/8600 BTU
Owner's Guide	66121618en	66121618en
Installation Instructions	66121624	66121624
Market	North America	North America

 **Electrolux**

Electrolux Major Appliances
 North & Latin America
 P.O. BOX 212378
 AUGUSTA, GA 30917

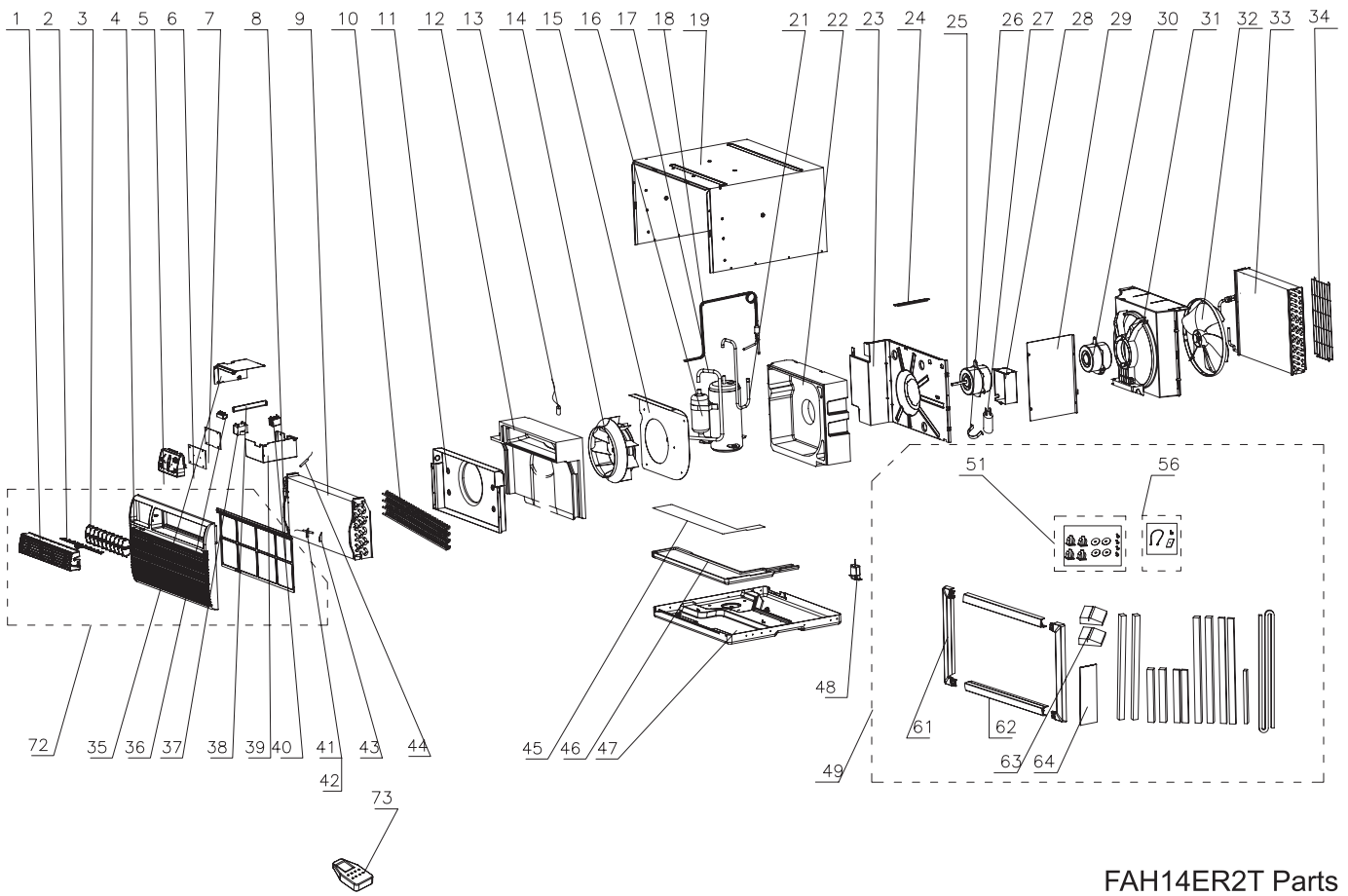
Publication No.
5995486577
 07/03/16
 (EN/SERVICE/KC)
 099

**ROOM AIR
 CONDITIONER**

**Model No.
 FAH14ER2**

Copyright © 2007 Electrolux Home Products, Inc.
 All rights reserved.

RECOMMENDED SPARE PARTS



FAH14ER2T Parts

RECOMMENDED SPARE PARTS

Model Index: A FAH14ER2 (FAH14ER2T1)
 B FAH14ER2 (FAH14ER2T2)

POS. NO	PART NO.		DESCRIPTION
1 #	5304459668	A B	Louver, horizontal
2	5304459705	A B	Link, vertical louver, with handle
3 #	5304459706	A B	Louver, vertical
4	5304459669	A B	Panel, front grille
5	5304459670	A B	Control Panel, display console
6 #	5304459741	A B	PC Board, display/input
7 #	5304459736	A B	PC Board, control, main
8 #	5304459671	A B	Filter, air
9 #	5304459742	A B	Evaporator
10 #	5304459743	A B	Heater, electric
11	5304459744	A B	Frame, heater housing
12	5304459745	A B	Scroll, blower housing, front
13 #	5304459746	A B	Thermistor, discharge, high heat
14 #	5304459747	A B	Blower Wheel, centrifugal fan
15	5304459748	A B	Baffle, scroll
16 #	5304459749	A B	Compressor
17 #	5304459750	A B	Tube, suction
18 #	5304459751	A B	Tube, capillary
19	5304459752	A B	Cabinet, wrapper/sleeve
21 #	5304459753	A B	Tube, discharge
22	5304459754	A B	Scroll, blower housing, rear
23	5304459755	A B	Bulkhead, air system
24	5304459779	A B	Support, bulkhead/shroud, steel
25 #	5304459756	A -	Motor, blower
25 #	5304459829	- B	Motor, fan
26	5304459182	A B	Strap, capacitor clamp
27 #	5304459757	A B	Capacitor, compressor
28	5304459758	A B	Housing, capacitor box
29	5304459783	A B	Baffle, plate
30 #	5304459784	A B	Motor, fan
31	5304459785	A B	Shroud, condenser fan
32 #	5304459786	A B	Fan Blade, propeller
33 #	5304459787	A B	Condenser
34	5304459788	A B	Grille, rear
35	5304459789	A B	Cover, control box
36 #	5304459674	A B	Terminal, electric, board 2-8
37 #	5304459790	A B	Capacitor, fan motor
38	5304459780	A B	Support, control box, steel
39	5304459791	A B	Control Box
40 #	5304459461	A B	Relay
41 #	5304459792	A B	Thermistor, temp sensor, ambient
42	5304459194	A B	Clip, sensor support
43	5304459777	A B	Deflector, air filter, guide
44 #	5304459793	A B	Thermistor, evap sensor, defrost
45 #	5304459778	A B	Shield, heat, drip tray
46	5304459794	A B	Tray, drip pan
47	5304459795	A B	Base, unit chassis
48 #	5304459477	A B	Valve, drain
49 #	5304459826	A B	Mounting Kit, complete
51	5304459817	A B	Fastener Kit, screws, washers
56 #	5304459818	A B	Grounding Kit
61	5304459820	A B	Trim, cabinet frame, side
62	5304459821	A B	Trim, cabinet frame, top/bottom
63	5304459822	A B	Block, spacer support, (2)
64	5304459823	A B	Spacer, tapered board, baffle
72 #	5304459825	A B	Front Assembly, complete panel
73 #	5304459455	A B	Remote Control, transmitter

WIRING DIAGRAM

