

*Frigidaire*

Factory Parts Catalog

Product No.	ATF7000FE0	ATF7000FG0
Series	Frigidaire	Frigidaire
Market	North America	North America
Color	black	glacier blue
Volts	115	115
Wiring Diagram	134879700	134879700
Owner's Guide	134850600	134850600
Energy Guide	134817100	134817100
Installation Instructions	134849700	134849700
Operating Instructions	134851000	134851000

 **Electrolux**

Electrolux Major Appliances  
 North & Latin America  
 P.O. BOX 212378  
 AUGUSTA, GA 30917

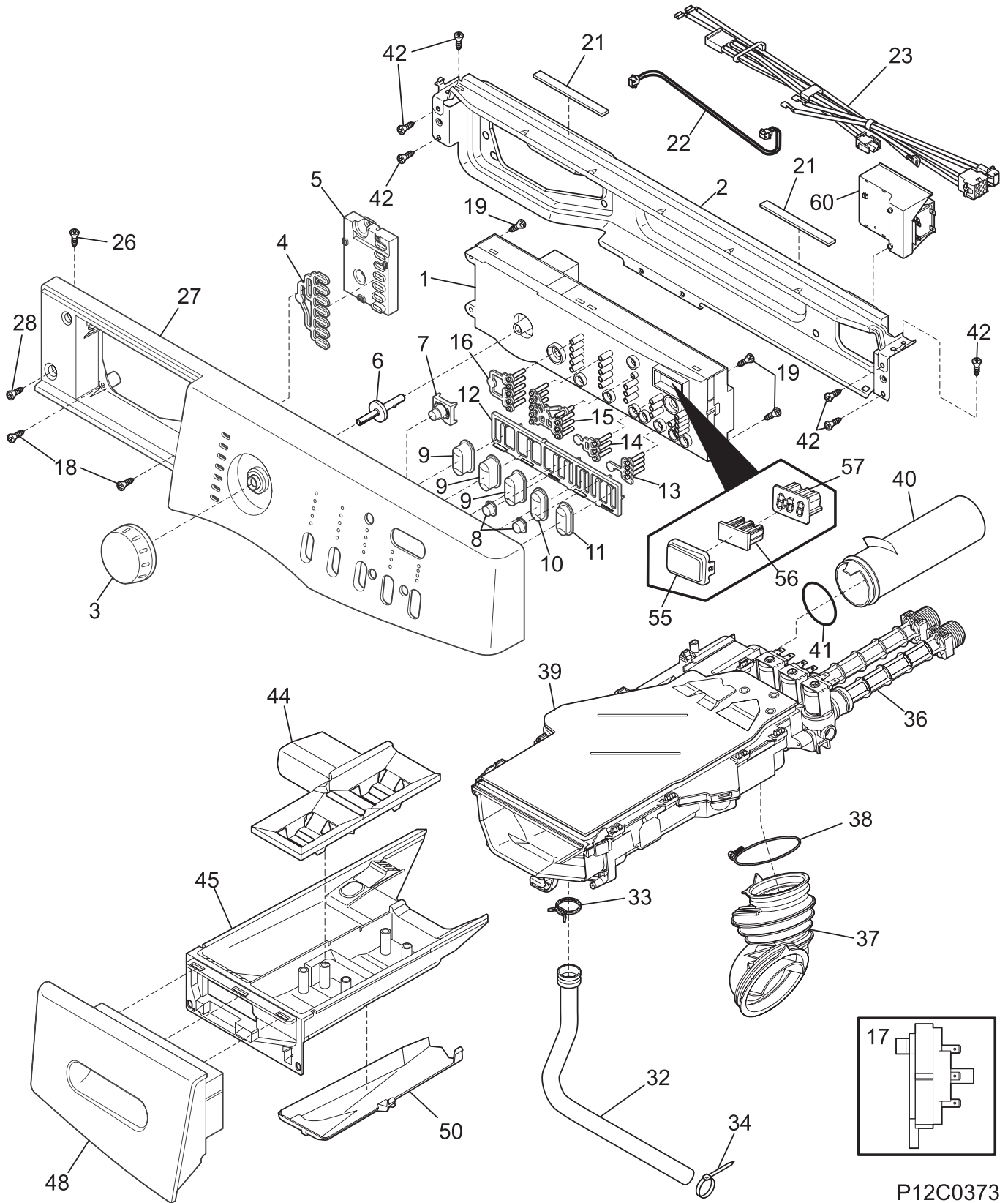
Publication No.  
**5995486379**  
 07/03/14  
 (EN/SERVICE/WTC)  
 361

**FRONT-LOAD  
 WASHING MACHINE**

Model No.  
**ATF7000F**

Copyright © 2007 Electrolux Home Products, Inc.  
 All rights reserved.

### CONTROL PANEL



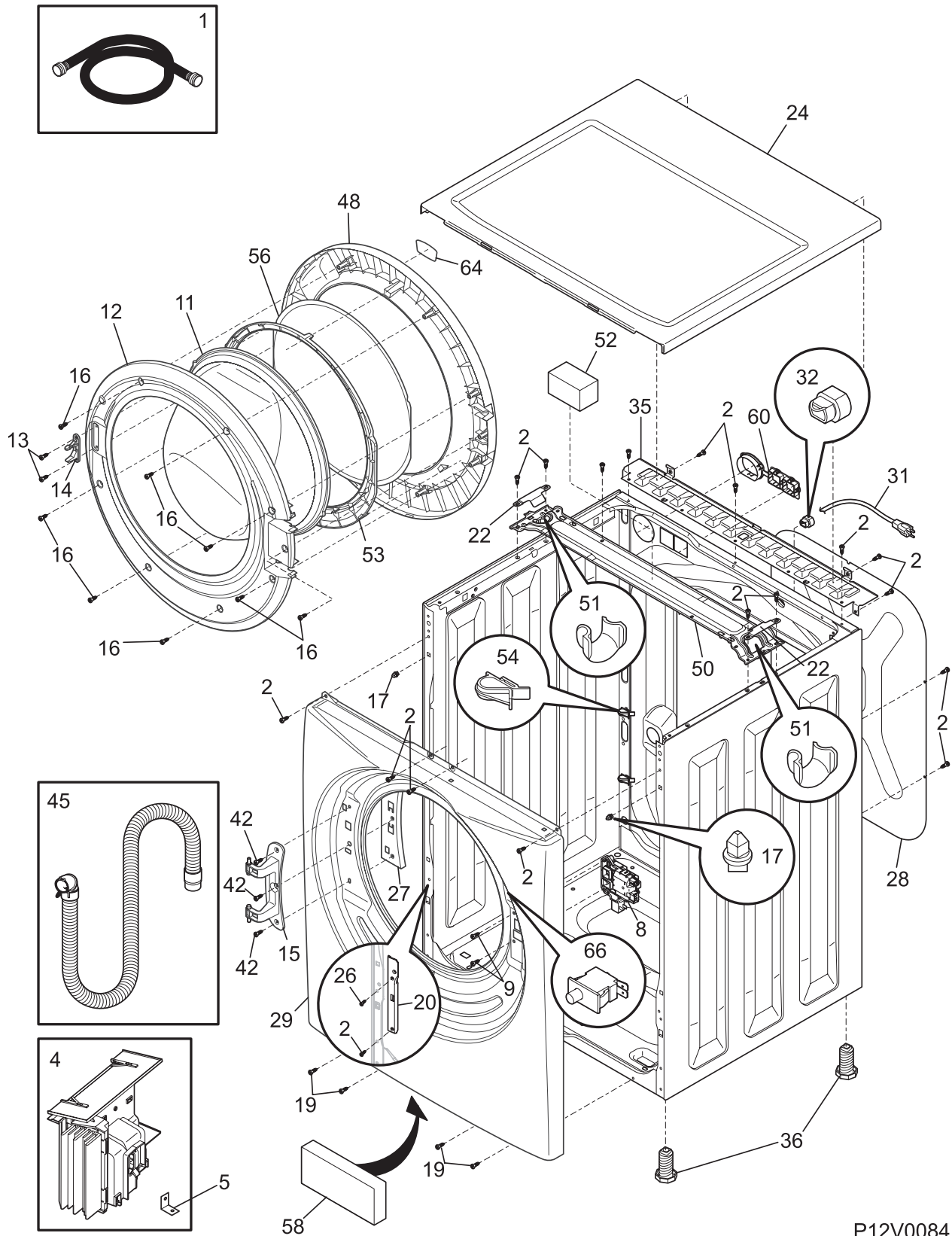
## CONTROL PANEL

---

*Model Index:*    A ATF7000F (ATF7000FE0)  
                           B ATF7000F (ATF7000FG0)

POS. NO	PART NO.		DESCRIPTION
1 #	134855600	A B	Control Board, pc, with housing
2	134364800	A B	Bracket, top front
3	134551210	A B	Knob, program
4	134553100	A B	Light Pipe, program
5 #	134556500	A B	Interface Board, pc, auxiliary
6	134347700	A B	Pin, program knob
7	134555610	A B	Push Button, round, #2
8	134555510	A B	Push Button, round, #1
9	134553410	A B	Push Button, oval, #1
10	134555410	A B	Push Button, oval, #2 (soil)
11	134595610	A B	Push Button, oval, start
12	134553300	A B	Spring, push button
13	134557500	A B	Light Pipe, start group
14	134557400	A B	Light Pipe, row of 3
15	134552800	A B	Light Pipe, 5 x 4
16	134600000	A B	Light Pipe, row of 5
17 #	134407800	A B	Switch, pressure, analog
18	131302800	A B	Screw, 10-16AB x 0.375
19	134402900	A B	Screw, phillips, 6-19 x 0.650
21	134407900	A B	Dampener, vibration
22 #	134602100	A B	Wiring Harness, interface board
23 #	134739500	A B	Wiring Harness, controls
23*#	134737900	A B	Wiring Harness, main
26	131205100	A B	Screw, #8 pan head, 10-10B x 0.500, cr/sq drive
27	134556460	A -	Panel, control console, black
27	134556420	- B	Panel, control console, blue
28	131205300	A B	Screw, 10-16 x 0.750
32	134586500	A B	Hose, disp-to-bellows
33	131306216	A B	Clamp
34	5303321209	A B	Cable Tie, 5.60 inch
36 #	134371220	A B	Valve, dispenser, NTC/short tube
36*	131311900	A B	Screw, quadrex ph, 8-18AB x 0.500
37	134372300	A B	Hose, disp-to-tub
38	134372400	A B	Clamp, tub hose
39	134446120	A B	Housing, dispenser, w/valve, cover
39*	134371300	A B	Gasket, disp-to-valve
40	134372100	A B	Tube, disp-to-overflo
41	134372200	A B	O-ring, overflow tube
42	131168200	A B	Screw, pan head, 8-18B x 0.31
44	134370200	A B	Cover, dispenser
45	134370000	A B	Drawer, dispenser
48	134556760	A -	Handle/Drawer Assy, black
48	134556720	- B	Handle/Drawer Assy, blue
48*	134555800	A B	Pad, drawer handle, soft touch
50	134370100	A B	Conveyor, dispenser, lower
55	134553200	A B	Lens, digital display
56	134557300	A B	Light Pipe, digital display
57 #	134503300	A B	Display, digital
60 #	134558200	A B	Control, heater, w/transformer

CABINET/TOP



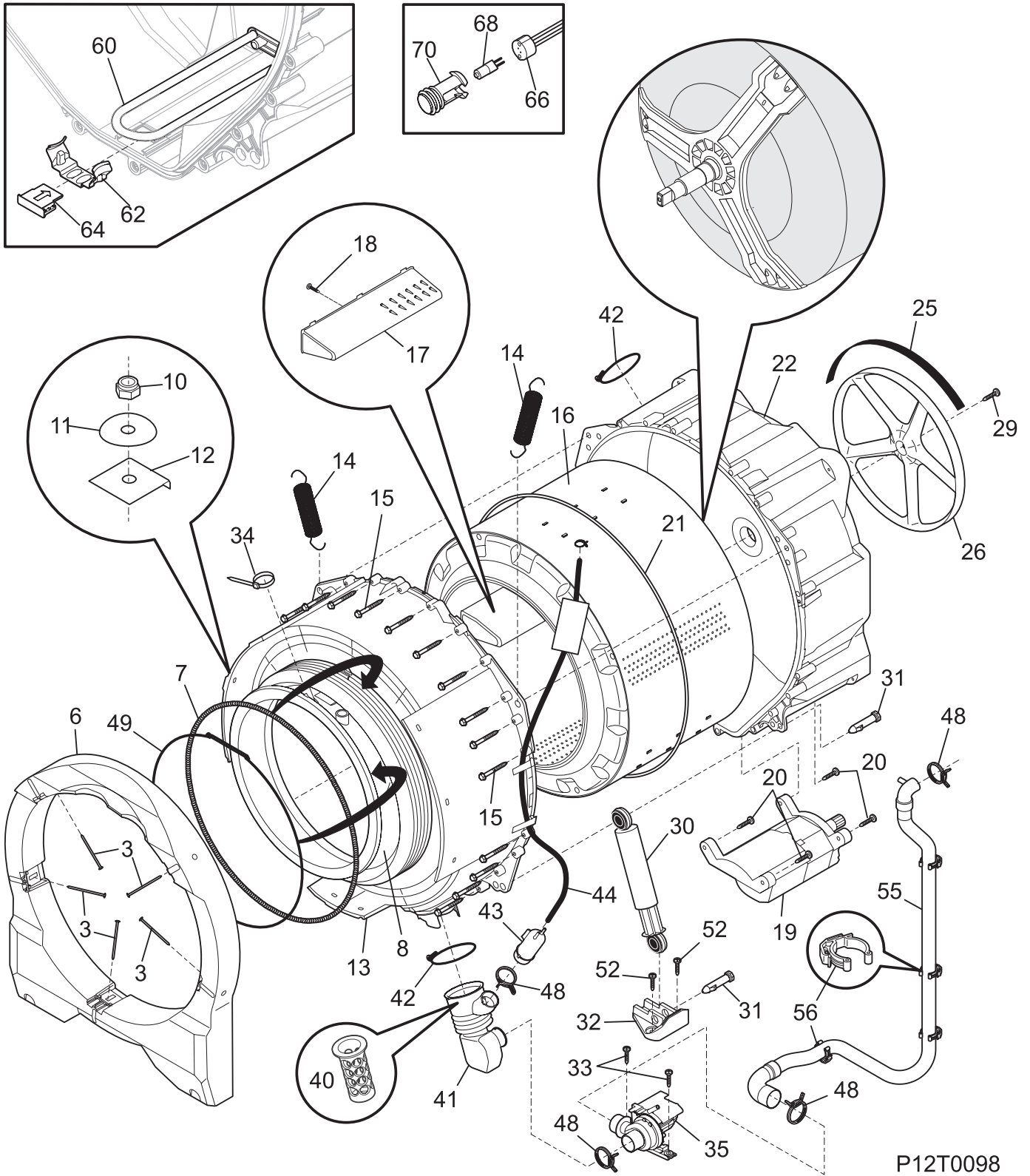
P12V0084

**CABINET/TOP**

*Model Index:* A ATF7000F (ATF7000FE0)  
B ATF7000F (ATF7000FG0)

POS. NO	PART NO.		DESCRIPTION
1	131454100	A B	Hose, water inlet, 4 ft., hose & washer
2	131168200	A B	Screw, pan head, 8-18B x 0.31
4 #	134409904	A B	Control Board, motor
4* #	134547600	A B	Wiring Harness, motor control
5	134522900	A B	Bracket, angle, motor control
5*	134178901	A B	Screw, 8-18AB x 0.455
8 #	131763245	A B	Door Lock/Switch Assy
8* #	134603100	A B	Wiring Harness, door switch
9	131303300	A B	Screw, pan head, 10-16AB x 0.500, locking
11	134366400	A B	Panel, door glass
12	134550740	A B	Frame, inner door
13	131302901	A B	Screw, 10-16 x 0.750
14	134456640	A B	Striker, door/lock
15	134550800	A B	Hinge, door, with bushings
16	131205300	A B	Screw, 10-16 x 0.750
17	134408700	A B	Clip, assembly
19	131258400	A B	Screw, 10-16AB x 0.500
20	134434901	A B	Bracket, LS panel, reinforcement
20*	134434900	A B	Bracket, RS panel, reinforcement
22	134364700	A B	Retainer, spring steel
24	134365060	A -	Panel, work top, black
24	134365030	- B	Panel, work top, blue
26	134521600	A B	Screw, hex washer head, M5 0.8 x 15
27	134550900	A B	Bracket, hinge, reinforcement
28	134364300	A B	Panel, service access, rear
29	134550160	A -	Panel, cabinet front, black
29	134550130	- B	Panel, cabinet front, blue
31 #	134501000	A B	Power Cord, electric svce
32	5303209428	A B	Bushing, power cord
35	134365100	A B	Bracket, top support, rear
36	134548800	A B	Leveling Leg, screw, plastic
42	134601900	A B	Screw, flat head, M5 x .8 x 17.5
45 #	134369400	A B	Hose, drain, external
48	134550510	A B	Panel, outer door, platinum
48*	134554500	A B	Pad, outer door
50	134364600	A B	Bracket, tub suspension
51	134562100	A B	Protector, tub brkt, spring hook, (2)
52	131931202	A B	Dampener, vibration, foam
53	134551300	A B	Ring, door transition
54	134364900	A B	Fastener, wire harn clip
56	134550600	A B	Glass, outer door lens
58	131800405	A B	Insulation, noise absorber
60	134372000	A B	Grommet, dispenser, back panel
64	134601600	A B	Nameplate, Affinity
66 #	131843146	A B	Switch, door, with drum light
*	134591500	A B	Plug Assy, shipping holes, back
*	134596200	A B	Shipping Support Kit

MOTOR/TUB



P12T0098

**MOTOR/TUB**

*Model Index:* A ATF7000F (ATF7000FE0)  
B ATF7000F (ATF7000FG0)

POS. NO	PART NO.		DESCRIPTION
3	131793303	A B	Bolt, carriage, 1/4-20 x 2.60
6	134362200	A B	Counterweight, front, one piece
7	134365300	A B	Spring, bellows clamp, retainer
8 #	134728400	A B	Bellows Kit, boot, w/light hole
10	131304700	A B	Nut, hex, 1/4-20 UNC-2B, (2)
11	131276900	A B	Washer, Bellville, spring steel
12	134430600	A B	Plate, counterweight
13	134362000	A B	Shell, tub, front
14 #	134362800	A B	Spring Assy, suspension
15	134408300	A B	Screw, hex head, 6.5 x 51 mm
16	134360910	A B	Drum Assy, spin basket
17	134509600	A B	Vane Kit, drum
18	131302800	A B	Screw, 10-16AB x 0.375
19 #	134362500	A B	Motor, 120 V
20	131303500	A B	Screw, 12-14AB x 1.50, motor mtg.
21	134361900	A B	O-ring, tub
22	134721310	A B	Shell, tub, rear, w/bearing, seal
25 #	134051001	A B	Belt, drive, poly-V, 6-rib
26 #	134362600	A B	Pulley, drum drive, large, rear
29	134408400	A B	Screw, 10.9 class, M10 x 25 mm
30	134560400	A B	Shock Absorber, dual stage
31	131268300	A B	Pin, shock mtg.
32	134363200	A B	Bracket, shock mtg.
33	134160900	A B	Screw, washer hd, 10-16AB X 0.75
34	5303321209	A B	Cable Tie, 5.60 inch
35 #	134051200	A B	Pump, drain
40	134565200	A B	Filter, pump
41	134455900	A B	Hose, coin trap, tub-to-pump
42	134737300	A B	Clamp, hose
43	134369000	A B	Chamber, air
44	134369900	A B	Hose, air pressure
48	131306234	A B	Clamp, hose, wire
49	134527100	A B	Clamp, bellows, spring held
52	131202300	A B	Screw, 10-16AB x 0.625
55 #	134679000	A B	Hose, internal drain
56	134369800	A B	Fastener, hose clip, (3)
56*	134261300	A B	Clip, drain hose, push-mount
60 #	134552300	A B	Element, heating, 1000 W
62	134558000	A B	Bracket, heating element
64	134558100	A B	Stop, detente, heating element
66 #	134602000	A B	Receptacle, lamp, door light
68	134554600	A B	Lamp, G4 light bulb, 5 W, 12 V
70	134551600	A B	Diffuser, lamp, door light
*	134817100	A B	Energy Guide

WIRING DIAGRAM

**WARNING** TO REDUCE THE RISK OF ELECTRICAL SHOCK DISCONNECT THIS APPLIANCE FROM THE POWER SUPPLY BEFORE ATTEMPTING ANY USER MAINTENANCE. TURNING THE CONTROLS TO THE OFF POSITION DOES NOT DISCONNECT THIS APPLIANCE FROM THE POWER SUPPLY.

**AVERTISSEMENT** POUR RÉDUIRE LE RISQUE DE CHOC ÉLECTRIQUE, DÉBRANCHER CET APPAREIL DE L'ALIMENTATION AVANT DE PROCÉDER À L'ENTRETIEN. EN TOURNANT LES COMMANDES À LA POSITION ARRÊT, L'ON NE COUPE PAS L'ALIMENTATION ÉLECTRIQUE DE L'APPAREIL.

**ADVERTENCIA** PARA REDUCIR EL RIESGO DE CHOCQUE ELÉCTRICO, DESENCHUFE ESTE APARATO DE LA ALIMENTACIÓN ELÉCTRICA ANTES DE EFECTUAR EL MANTENIMIENTO. AL GIRAR LOS CONTROLES A LA POSICIÓN OFF (APAGADO) NO SE CORTA LA ALIMENTACIÓN ELÉCTRICA AL ARTEFACTO.

COMPONENT RESISTANCE TABLE

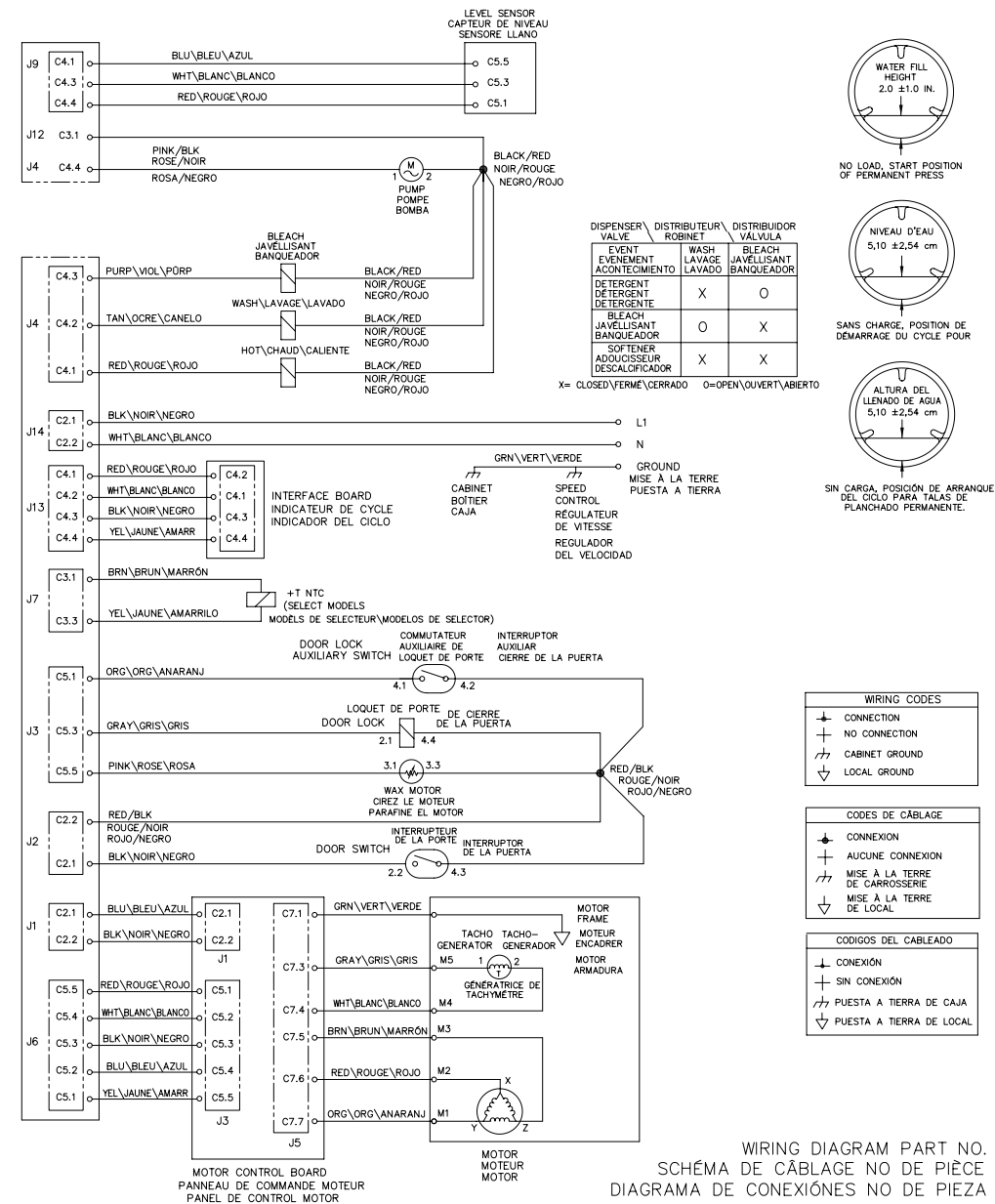
ELECTRICAL COMPONENT	RESISTANCE Ω @ 77° F	
DOOR LOCK SOLENOID	1325 ±10%	
PUMP MOTOR	12.0 ±7%	
DISPENSER VALVE SOLENOIDS	800 ±7%	
MOTOR	M1 TO M2	5.3 ±7%
	M2 TO M3	5.3 ±7%
	M1 TO M3	5.3 ±7%
	M5 TO M4	118 ±7%

TABLEAU DE RÉSISTANCE DES COMPOSANTS

COMPOSANT ÉLECTRIQUE	RÉSISTANCE Ω @ 25° C	
SOLENOÏDE DU LOQUET DE PORTE	1325 ±10%	
MOTEUR DE POMPE	12.0 ±7%	
SOLENOÏDE DU ROBINET DISTRIBUTEUR	800 ±7%	
MOTEUR	M1 VERS M2	5.3 ±7%
	M2 VERS M3	5.3 ±7%
	M1 VERS M3	5.3 ±7%
	M5 VERS M4	118 ±7%

TABLA DE RESISTENCIA DE LOS COMPONENTES

COMPONENTE ELÉCTRICO	RESISTENCIA Ω @ 25° C	
SOLENOÏDE DE CIERRE DE LA PUERTA	1325 ±10%	
BOMBA DE MOTOR	12.0 ±7%	
SOLENOÏDE DE LA VALVULA DEL DISTRIBUIDOR	800 ±7%	
MOTOR	M1 A M2	5.3 ±7%
	M2 A M3	5.3 ±7%
	M1 A M3	5.3 ±7%
	M5 A M4	118 ±7%



WIRING DIAGRAM PART NO. SCHEMA DE CÂBLAGE NO DE PIÈCE DIAGRAMA DE CONEXIONES NO DE PIEZA 134879700 A



WIRING DIAGRAM

