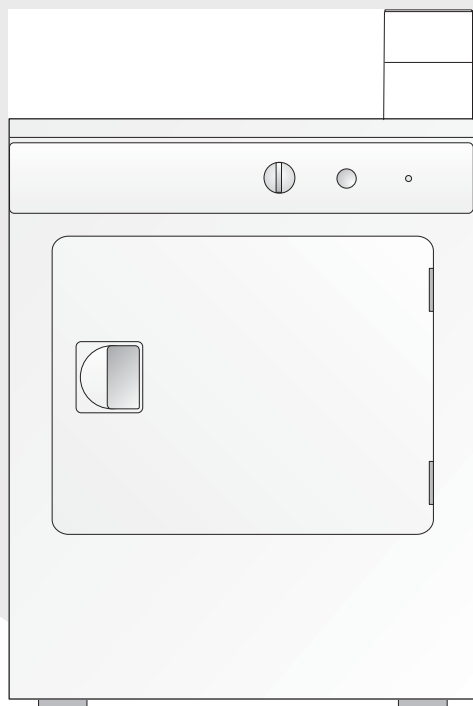


# *Frigidaire*

## Factory Parts Catalog



Product No.	FCED3000ES0
Series	Frigidaire
Market	Commercial
Color	white
Volts	240
Wiring Diagram	134308200
Installation Instructions	134589900

 **Electrolux**

Electrolux Major Appliances  
North & Latin America  
P.O. BOX 212378  
AUGUSTA, GA 30917

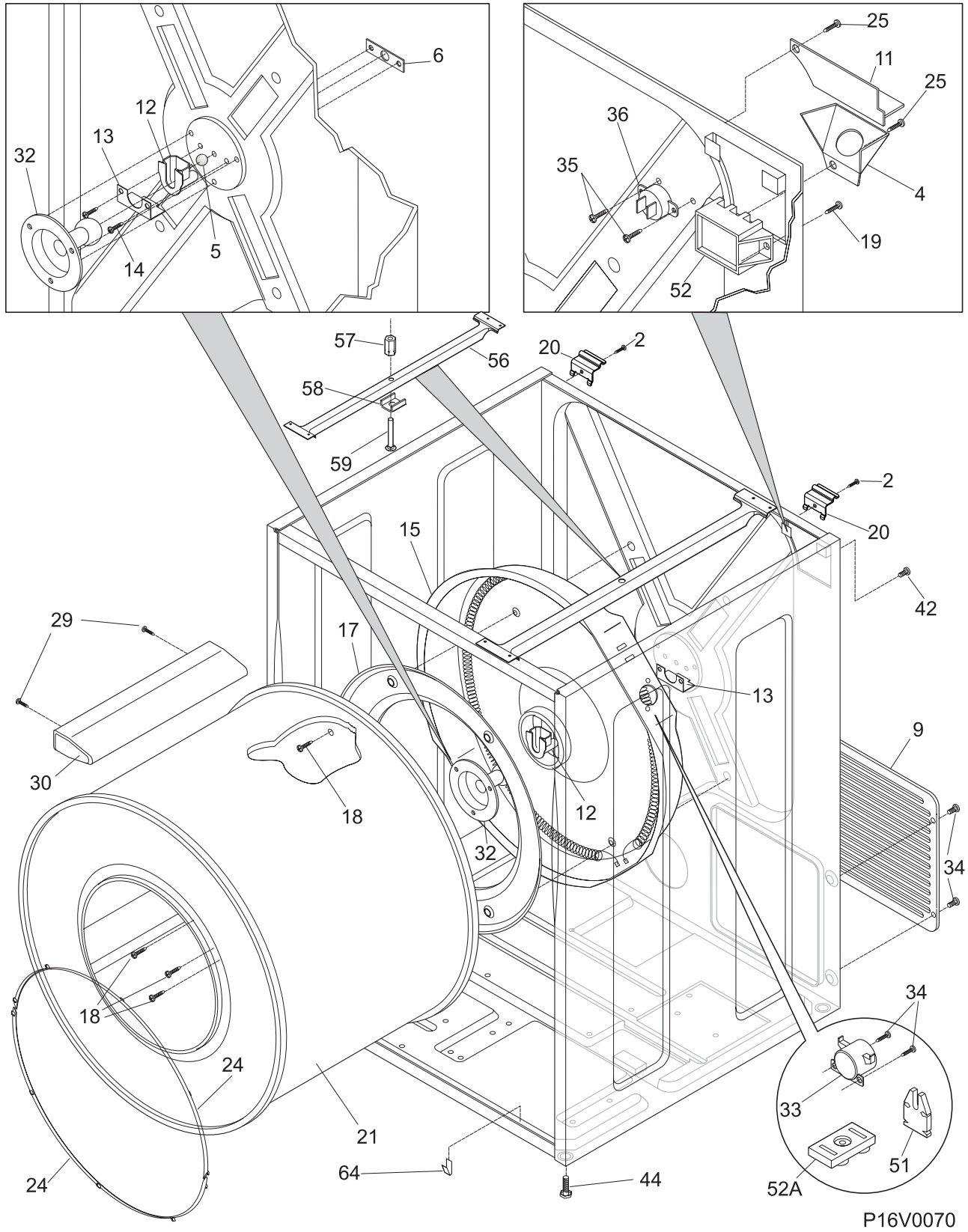
Publication No.  
**5995456182**  
05/12/13  
(EN/SERVICE/KC)  
361

**ELECTRIC DRYER**

Model No.  
**FCED3000E**

Copyright © 2005 Electrolux Home Products, Inc.  
All rights reserved.

CABINET/DRUM

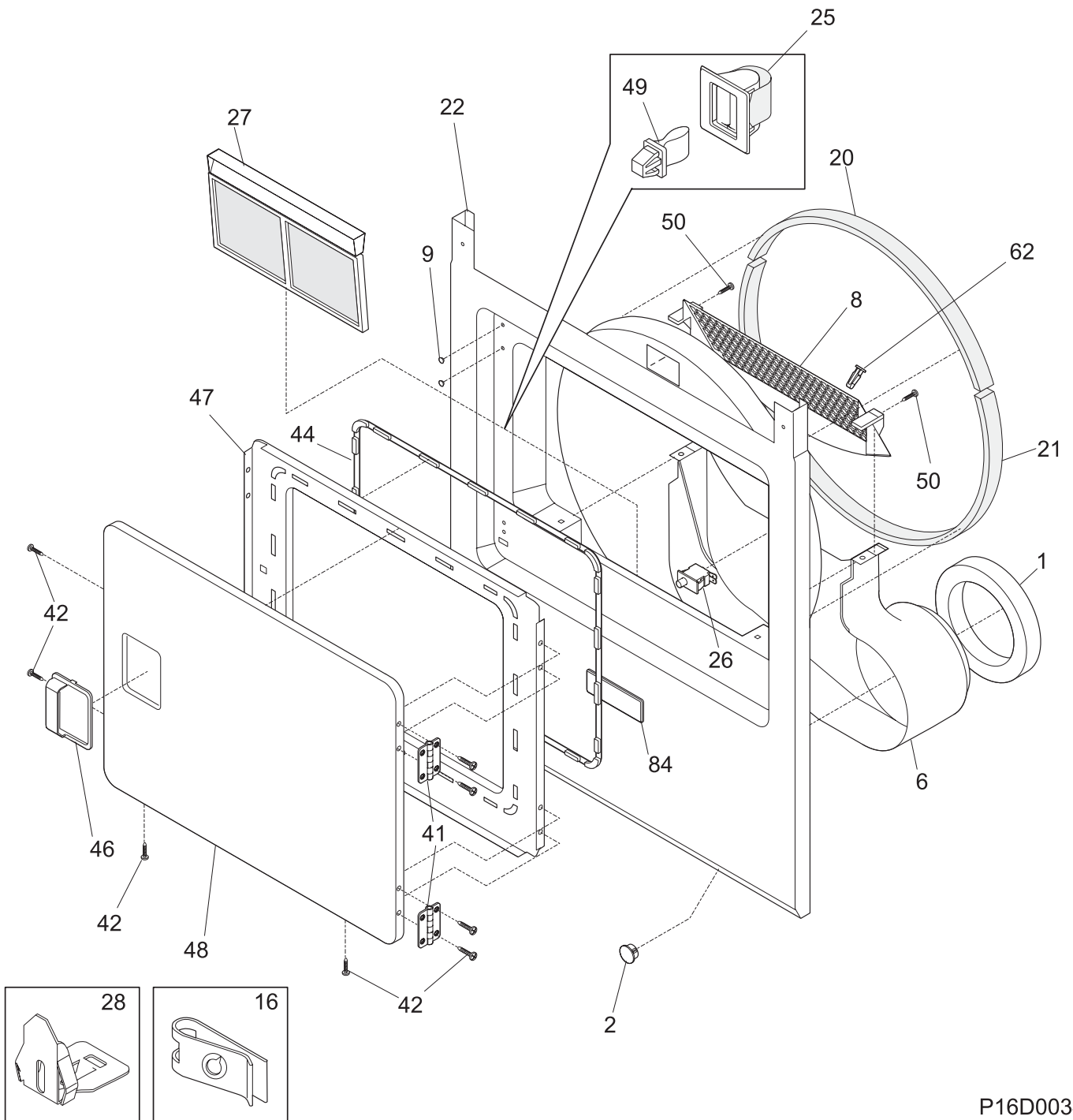


P16V0070

**CABINET/DRUM**

POS. NO	PART NO.	DESCRIPTION
2	131962400	Screw, tamper resist, 10-16 x .375
4	131785200	Bracket, elec power cord, knock out
5	5303281019	Ball, grounding
6	5303281020	Clip, ball, steel, flat nut
9	131793200	Panel, service access, rear
11	5303211428	Cover, terminal block
12	131825900	Bearing, drum support
13	131724300	Bracket, bearing support
14	131205400	Screw, bracket mtg., 10-16B x 1.375, cr/sq drive
15 #	131553900	Heater Assy, w/housing/felt
17	3204254	Baffle, heater shield
18	131477000	Screw, 10-16AB x 0.375
19	131168200	Screw, pan head, 8-18B x 0.31
20	131469100	Bracket, hinge, rear, top panel mtg.
21 #	134122532	Drum, dryer, galvanized stl., service kit
24	131963900	Glide, drum
25	5303015671	Screw, hex washer head, 8-18 x 0.375, cup point
29	131382300	Screw, quadrex head, 10-14 x 1.00, vane mtg., special
30	5303201200	Vane, straight
32	131777700	Shaft, drum support, ballhitch
32*	5303307893	Lubricant, high temp
33 #	3204267	Thermostat, safety
34	131243700	Screw, pan head, 8-18AB x 0.375, cr/sq drive
35	131892100	Screw, 6-20B x 0.230
36 #	134120900	Thermal Limiter
42	134154100	Screw, hex washer head, 10-32 x 0.375, ground
44	134158000	Leveling Leg, screw
51	131472100	Insulator, heater housing
52 #	134101400	Terminal Block, main
* #	134310100	Wiring Harness, main
52A#	3202786	Terminal Block, heater housing
56	131949300	Brace
57	131981900	Spacer, security
58	131949400	Retainer
59	131686601	Bolt, carriage, 3/8-16 x 3.50
64	131704600	Clip, front, cabinet bottom
* #	5303281153	Rear Bearing Kit, includes 5, 6, 12, 13, 14, 18, 32

FRONT PANEL/LINT FILTER



P16D0034

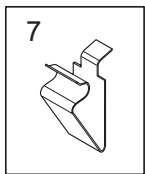
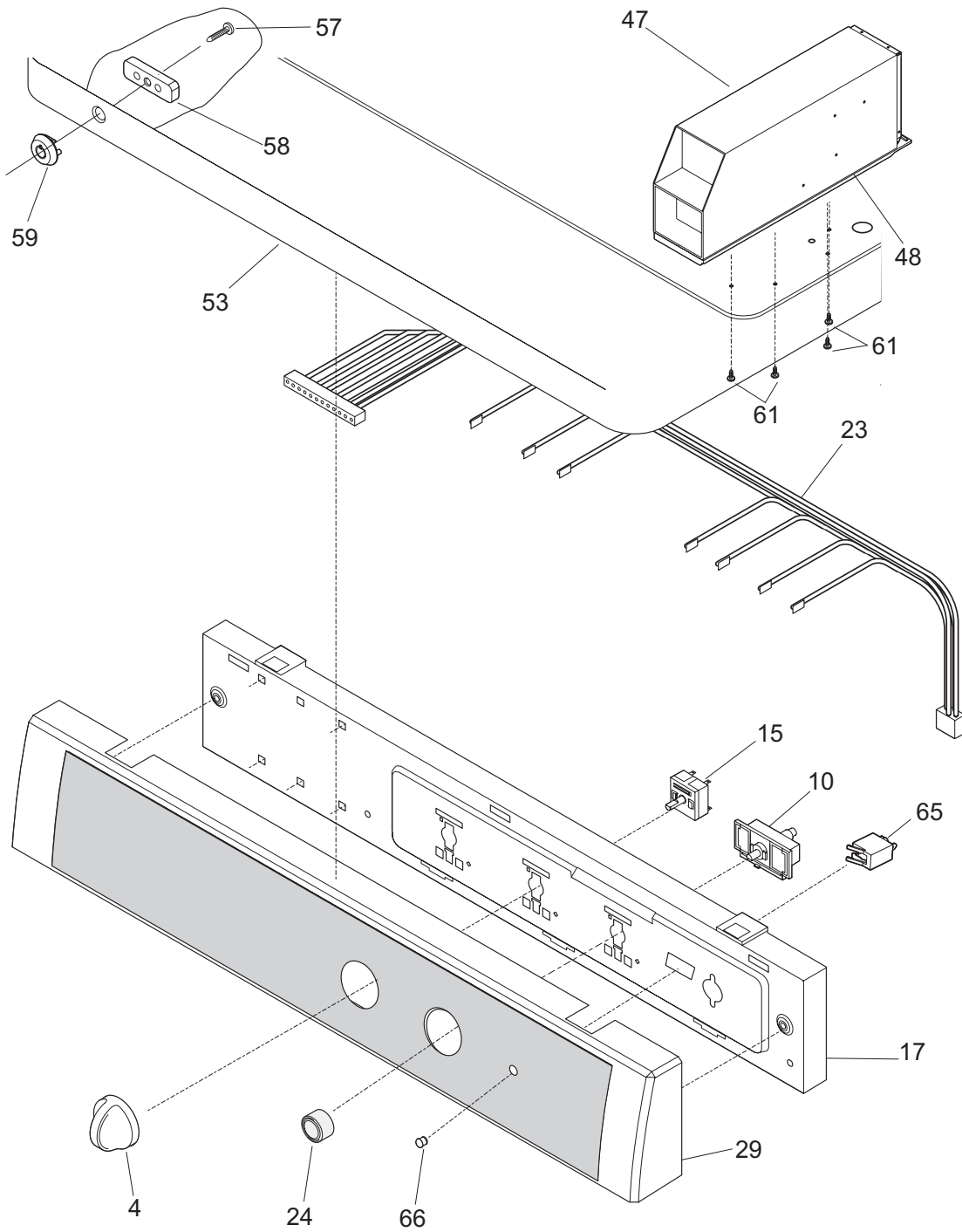
---

**FRONT PANEL/LINT FILTER**


---

POS. NO	PART NO.	DESCRIPTION
1	134417000	Seal, air duct
2	131397000	Plug, dome, white
6	131621900	Duct, air
8	131622202	Cover, lint housing
9	131633200	Plug, white
16	134440100	Clip, U-nut
20	134440200	Seal, felt, upper
20*	5308027429	• Adhesive, high temp
21	134134700	Seal, felt, lower
22	131845902	Panel, front, white, w/lamp hole
22*	131474700	Insulation
22*	131870700	Plug, light hole
25	131658800	Door Catch
26 #	131843100	Switch, door, w/o drum light
27	131450300	Trap, lint blade assy
28	134440000	Clip, guide
41	134222900	Hinge, dryer door
42	134156200	Screw, flat head, 8-18AB x 0.44, quad drive
44	131129900	Gasket, door seal
46	131644700	Handle, door, white
47	131844104	Panel, inner door, white
48	131789303	Panel, outer door, white
49	5303211430	Door Strike
50	131303300	Screw, pan head, 10-16AB x 0.500, locking
62	131872000	Pin, retainer, lint blade
84	297073400	Nameplate, Commercial, stainless

**CONTROLS/TOP PANEL**



P16C0217

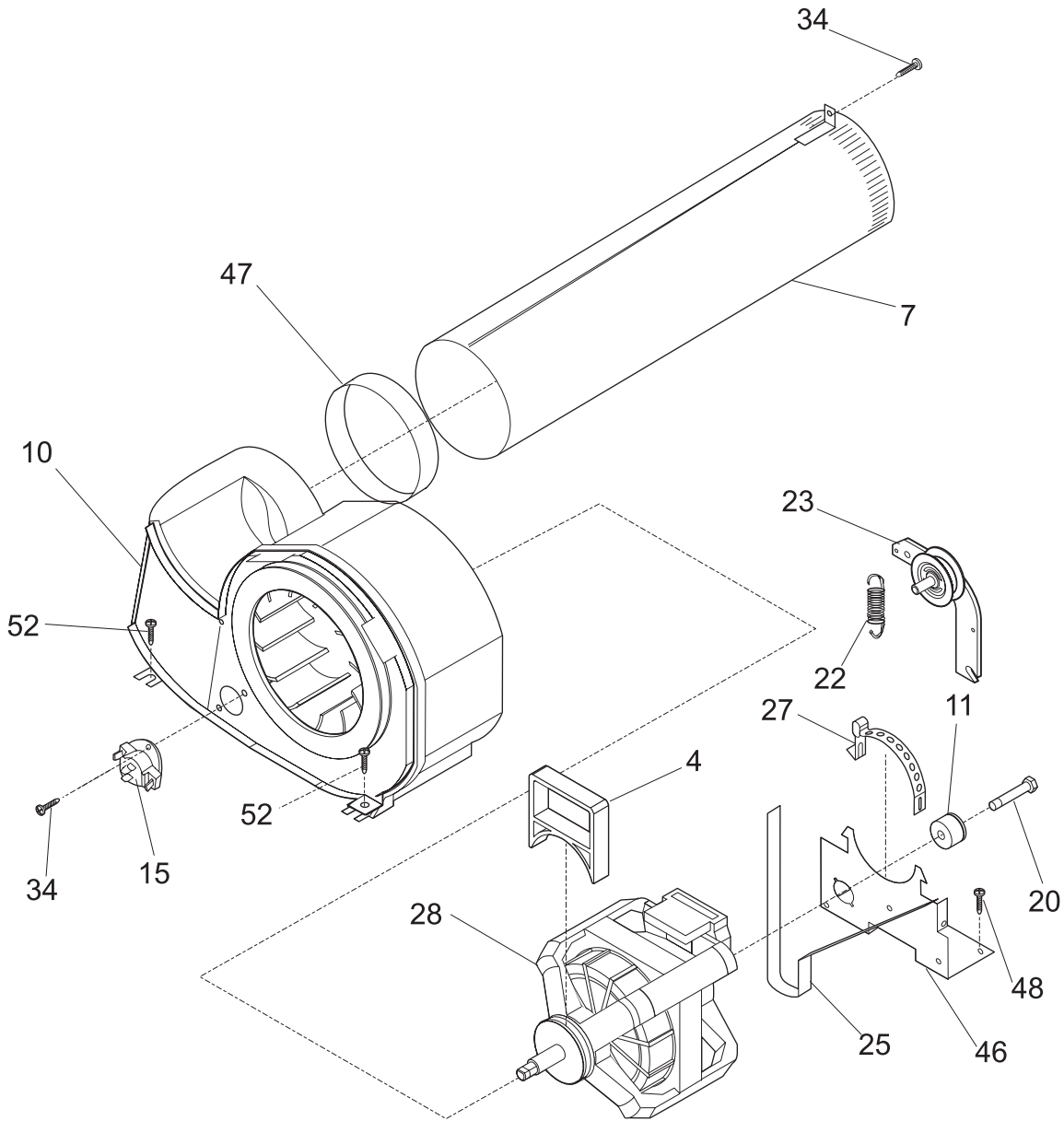
---

**CONTROLS/TOP PANEL**


---

POS. NO	PART NO.	DESCRIPTION
4	131265000	Knob, switch, white
7	3205821	Clip, top-to-front
10 #	131469000	Switch, push/start
15 #	131259200	Switch, temperature
17	134064501	Bracket, control mtg.
23 #	134028500	Wiring Harness, controls
* #	134310100	Wiring Harness, main
24	131970200	Button, push/start, white
29	131666981	Console, frame, w/trim
47 #	134274000	Meter Case, assy
47*	5304435395	Mounting Hardware, meter case, security
48	134028000	Gasket, meter housing
53	134086822	Panel, dryer top, white, coin-op
57	3205253	Screw, pan head, 6-20B X 0.375
58	131863800	Retainer, button plug
59	131863700	Plug, button
61	131901700	Screw, mcu point, 1/4-20, (4)
65 #	131724700	Lamp, status light
66	131724800	Lens, status light, clear

**MOTOR**



P16M0024



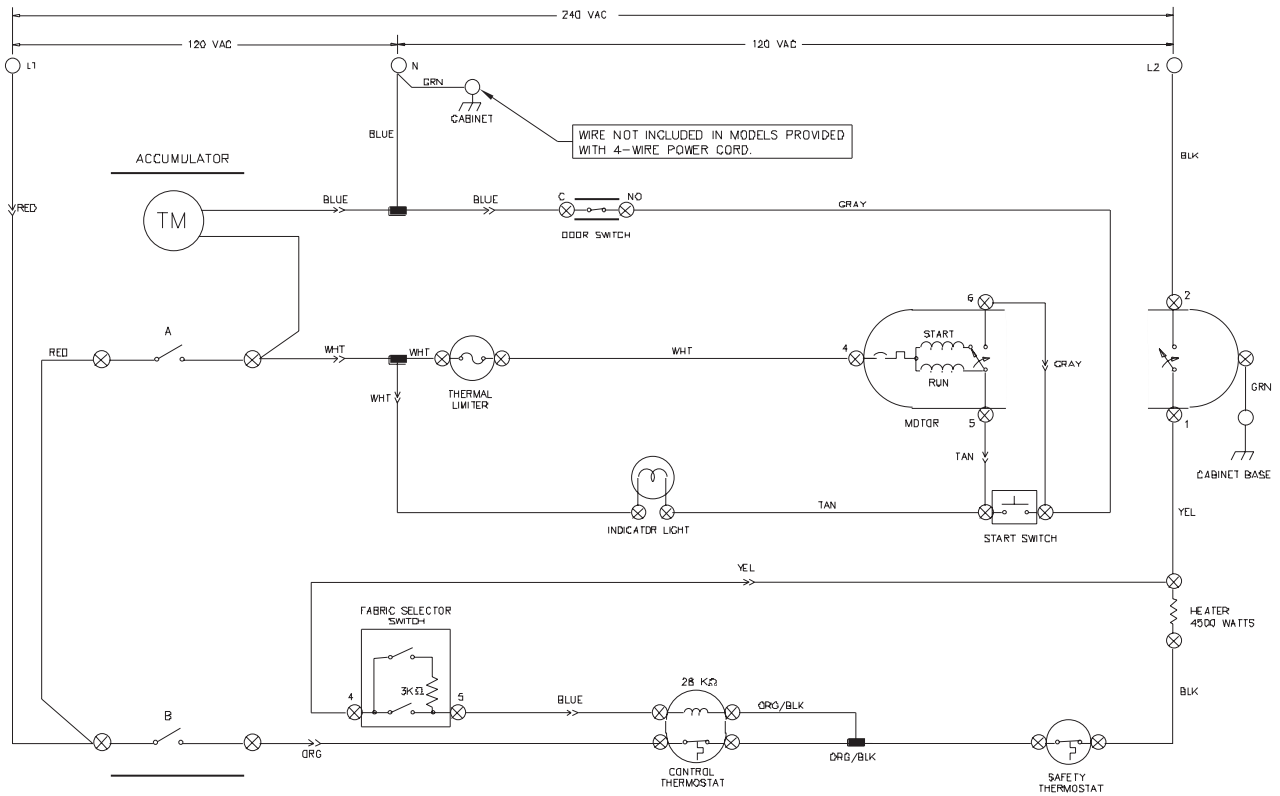
## MOTOR

---

POS. NO	PART NO.	DESCRIPTION
4	131435200	Lock, blower housing
7	131451600	Tube, exhaust, rear, w/mtg bracket
7*	131456800	Tube, exhaust, side/bottom, Optional Kit
10 #	131775600	Blower Assy, housing, w/cover & wheel
11	131749800	Spacer, idler
15 #	131298300	Thermostat, temp control
20	131017900	Screw, hex head, 1/4-20T x 1.25, spacer mtg., thread cutting
22	131601000	Spring, idler arm
23 #	131863005	Idler Arm Assy, w/pulley
25 #	134503600	Belt, dryer
27	134242400	Clamp, motor mtg.
28 #	131560100	Motor & Pulley Assy
34	131243700	Screw, pan head, 8-18AB x 0.375, cr/sq drive
46	134203400	Bracket, motor mtg
47	131633300	Seal, exhaust tube
48	131168200	Screw, pan head, 8-18B x 0.31
52	131202300	Screw, 10-16AB x 0.625

**WIRING DIAGRAM**

**!CAUTION: DISCONNECT ELECTRIC CURRENT BEFORE SERVICING. LABEL ALL WIRES PRIOR TO DISCONNECTION WHEN SERVICING CONTROLS. WIRING ERRORS CAN CAUSE IMPROPER AND DANGEROUS OPERATION. VERIFY PROPER OPERATION AFTER SERVICING.**



WIRING CODES	
⊗	QUICK DISCONNECT TERMINAL
⊥	CONNECTION
+	NO CONNECTION
⊕	MOTOR SWITCH
—	SPLICE
— —	MOTOR PROTECTOR
⏏	CHASSIS (CABINET) GROUND
○	SCREW TERMINAL
→	HARNES CONNECTOR TERMINAL
⊗	INSULATED TERMINAL

FABRIC SELECTOR SWITCH	
FUNCTION	RESISTANCE Ω
HIGH	∞
MEDIUM	3K ±5%
LOW	1Ω MAX



NOTES:  
 1. ALL WIRING MUST CONFORM TO LOCAL ELECTRICAL CODES.  
 2. CONNECT DRYER TO A 30 AMP INDIVIDUAL BRANCH CIRCUIT.  
 3. SHOWN IN OFF POSITION, DOOR SWITCH CLOSED, MOTOR AT REST, THERMOSTAT CLOSED AND FABRIC SELECTOR SWITCH AT REGULAR.

1 ACCUMULATION

