

Frigidaire

Factory Parts Catalog

Product No.	FEQ1442FE0
Series	Frigidaire
Market	North America
Color	black
Volts	240
Wiring Diagram	134509400
Owner's Guide	134674100
Installation Instructions	134940700
Operating Instructions	134420600

 **Electrolux**

Electrolux Major Appliances
North & Latin America
P.O. BOX 212378
AUGUSTA, GA 30917

Publication No.
5995501664
07/10/08
(EN/SERVICE/WTC)
361

ELECTRIC DRYER

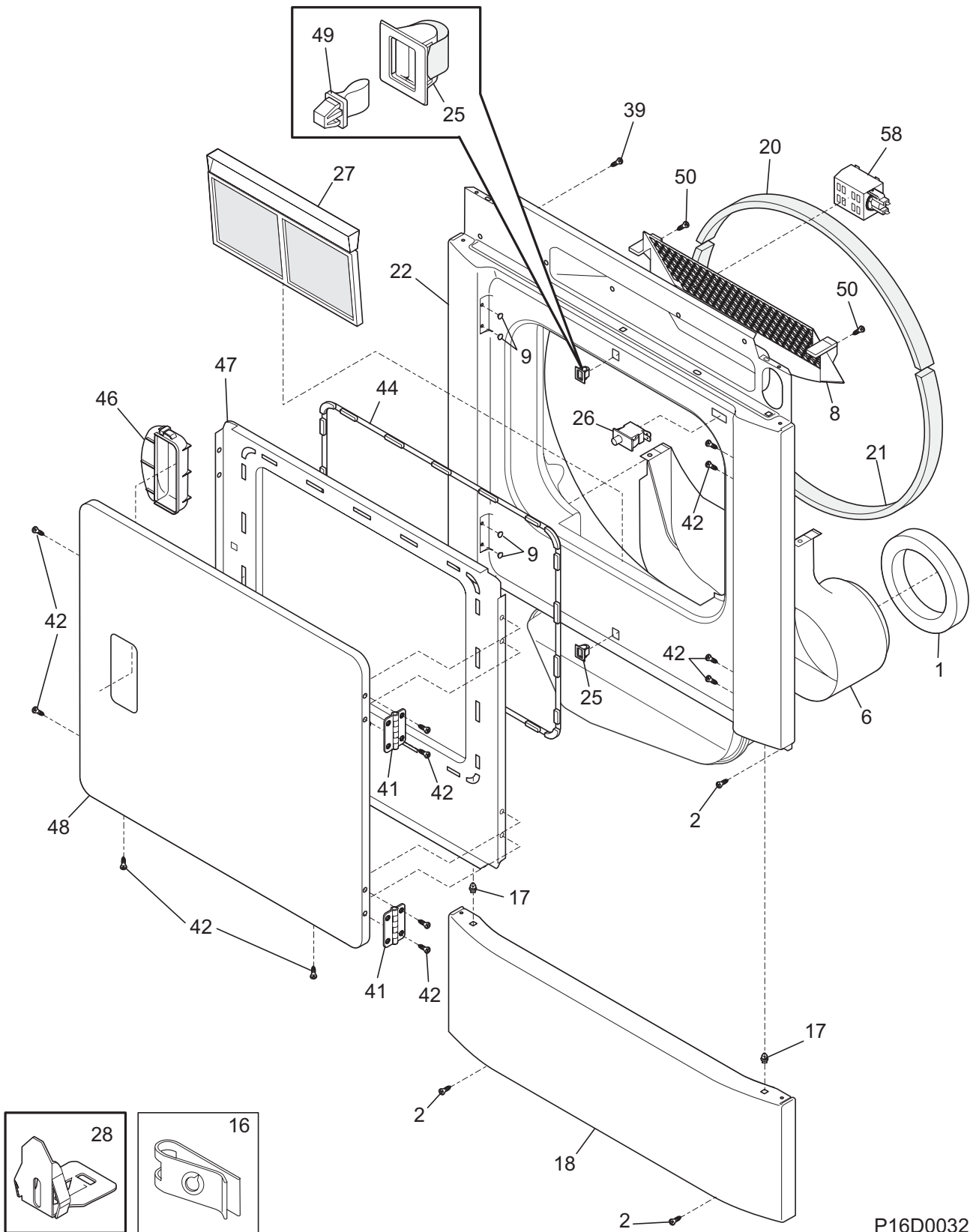
Model No.
FEQ1442F

Copyright © 2007 Electrolux Home Products, Inc.
All rights reserved.

CABINET/DRUM

POS. NO	PART NO.	DESCRIPTION
2	131168200	Screw, pan head, 8-18B x 0.31
4	131785200	Bracket, elec power cord, knock out
5	5303281019	Ball, grounding
6	5303281020	Clip, ball, steel, flat nut
9	131793200	Panel, service access, rear
11	5303211428	Cover, terminal block
12	131825900	Bearing, drum support
13	131724300	Bracket, bearing support
14	131205400	Screw, bracket mtg., 10-16B x 1.375, cr/sq drive
15 #	131553900	Heater Assy, w/housing/felt
17	3204254	Baffle, heater shield
18	131477000	Screw, 10-16AB x 0.375
20	134166500	Bracket, top panel mtg., rear
21	134122532	Drum, dryer, galvanized stl., service kit
24	131963900	Glide, drum
29	131382300	Screw, quadrex head, 10-14 x 1.00, vane mtg., special
30	5303201200	Vane, straight
32	131777700	Shaft, drum support, ballhitch
32*	5303307893	Lubricant, high temp
33 #	3204267	Thermostat, safety
34	131243700	Screw, pan head, 8-18AB x 0.375
35	131892100	Screw, 6-20B x 0.230
36 #	134120900	Thermal Limiter
42	134154100	Screw, hex washer head, 10-32 x 0.375, ground
44	134344900	Leveling Leg, screw
51	131472100	Insulator, heater housing
52 #	134101400	Terminal Block, main
* #	134394200	Wiring Harness, main
52A#	3202786	Terminal Block, heater housing
64	134360100	Bracket, svce panel mtg.
* #	5303281153	Rear Bearing Kit, includes 5, 6, 12, 13, 14, 18, 32

FRONT PANEL/LINT FILTER

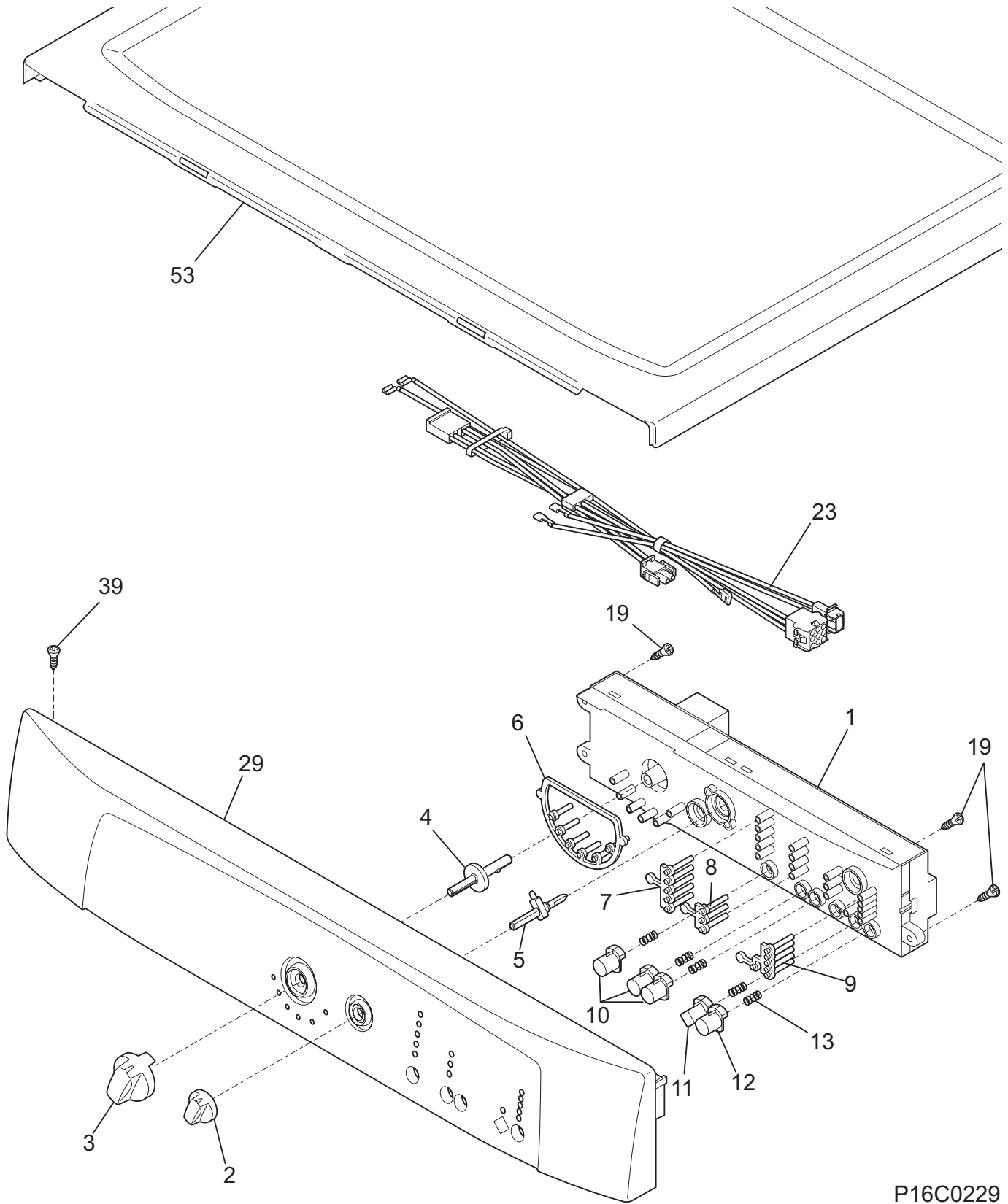


P16D0032

FRONT PANEL/LINT FILTER

POS. NO	PART NO.	DESCRIPTION
1	134417000	Seal, air duct
2	131168200	Screw, pan head, 8-18B x 0.31
6	134382900	Duct, air
8 #	131845845	Cover, lint housing, w/moist sensor
9	131633260	Plug, black
16	134440100	Clip, U-nut
17	134408700	Clip, assembly
18	134321760	Panel, front service, black
20	134440200	Seal, felt, upper
20*	5308027429	• Adhesive, high temp
21	134134700	Seal, felt, lower
22	134915560	Panel, front, black, w/lamp hole
25	131658845	Door Catch, gray, upper
26 #	131843145	Switch, door, with drum light
27	131450345	Trap, lint blade assy, gray
28	134440000	Clip, guide
39	131205100	Screw, #8 pan head, 10-10B x 0.500, cr/sq drive
41	134412460	Hinge, door, black
42	134156200	Screw, flat head, 8-18AB x 0.44, quad drive
44	134413345	Gasket, door seal, gray
46	134439360	Handle, door, black
47	134913260	Panel, inner door, black
48	134913060	Panel, outer door, black
49	134548100	Door Strike
50	131303300	Screw, pan head, 10-16AB x 0.500, locking
58 #	131843500	Lamp Assy, drum light, w/mtg bracket
58*#	131862800	• Lamp

CONTROLS/TOP PANEL

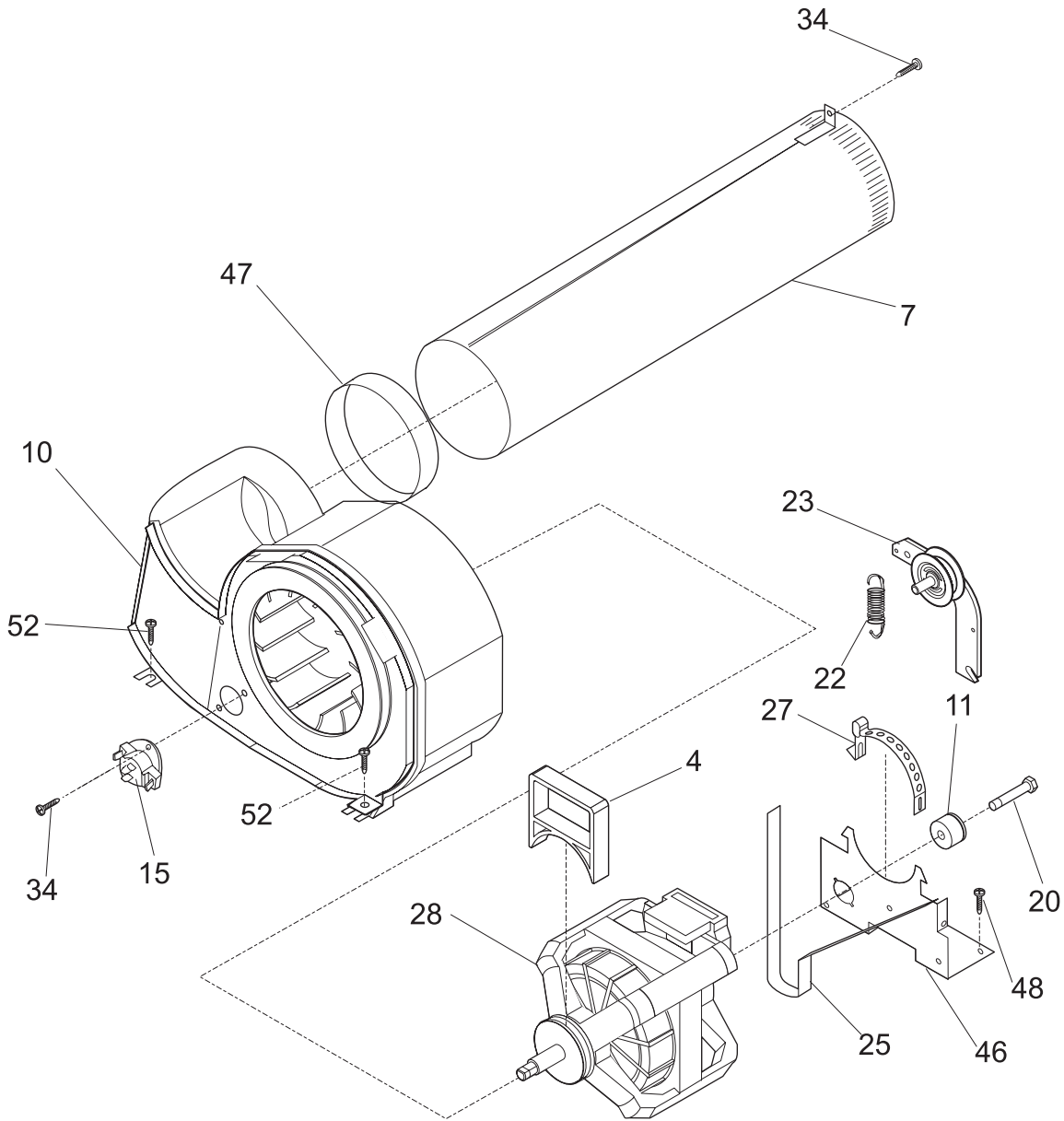


P16C0229

CONTROLS/TOP PANEL

POS. NO	PART NO.	DESCRIPTION
1 #	134484212	Control Board, pc, with housing
2	134432060	Knob, function
3	134431860	Knob, program, black
4	134347700	Pin, program knob
5	134347300	Pin, function knob
6	134447600	Light Pipe, array, 9 curved prgm
7	134429100	Light Pipe, array, 1 row of 5
8	134429200	Light Pipe, array, 2 row of 4
9	134429400	Light Pipe, array, 4 start group
10	134385160	Push Button, function
11	134385201	Push Button, start
12	134385301	Push Button, pause
13	134349400	Spring, push button
19	134402900	Screw, phillips, 6-19 x 0.650
23 #	134394400	Wiring Harness, controls
23*#	134101400	Terminal Block, main
23*#	134394200	Wiring Harness, main
29	134442460	Panel, control console
39	134178901	Screw, 8-18AB x 0.455
53	134365060	Panel, work top, black

MOTOR



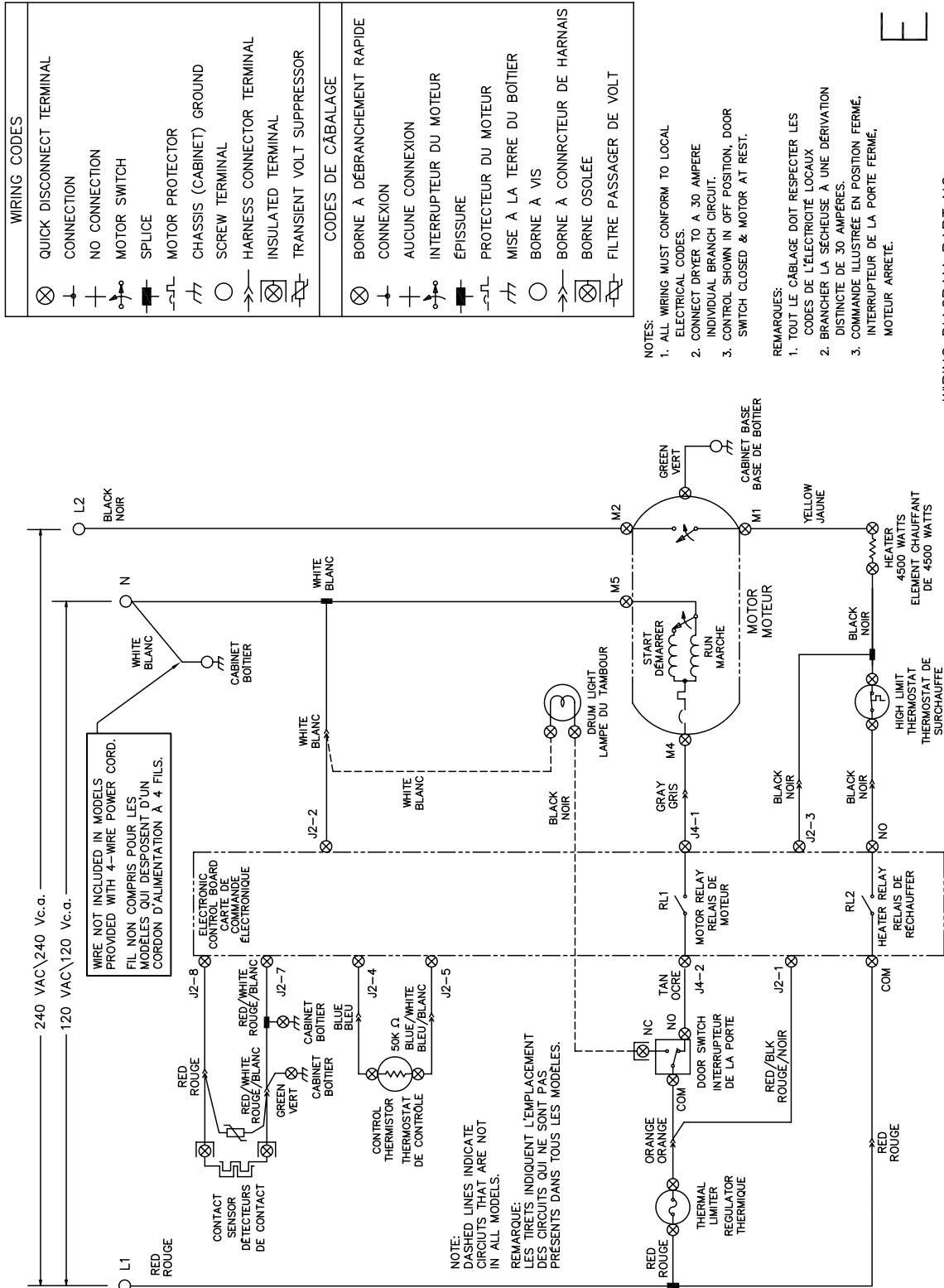
P16M0024

MOTOR

POS. NO	PART NO.	DESCRIPTION
4	131435200	Lock, blower housing
7	131451600	Tube, exhaust, rear, w/mtg bracket
7*	131456800	Tube, exhaust, side/bottom, Optional Kit
10 #	131775600	Blower Assy, housing, w/cover & wheel
11	131749800	Spacer, idler
15 #	134587700	Thermistor, control
20	131017900	Screw, hex head, 1/4-20T x 1.25, spacer mtg., thread cutting
22	131601000	Spring, idler arm
23 #	131863007	Idler Arm Assy, w/pulley
25 #	134503600	Belt, dryer
27	134242400	Clamp, motor mtg.
28 #	131560100	Motor & Pulley Assy
34	131243700	Screw, pan head, 8-18AB x 0.375
46	134203400	Bracket, motor mtg
47	131633300	Seal, exhaust tube
48	131168200	Screw, pan head, 8-18B x 0.31
52	131202300	Screw, 10-16AB x 0.625

WIRING DIAGRAM

MISE EN GARDE: METTRE HORS TENSION AVANT D'EFFECTUER TOUTE MESURE D'ENTRETIEN.



WIRING CODES	
	QUICK DISCONNECT TERMINAL CONNECTION
	NO CONNECTION
	MOTOR SWITCH
	SPLICE
	MOTOR PROTECTOR
	CHASSIS (CABINET) GROUND
	SCREW TERMINAL
	HARNESS CONNECTOR TERMINAL
	INSULATED TERMINAL
	TRANSIENT VOLT SUPPRESSOR
CODES DE CÂBLAGE	
	BORNE À DÉBRANCHEMENT RAPIDE
	CONNEXION
	AUCUNE CONNEXION
	INTERRUPTEUR DU MOTEUR
	ÉPISURE
	PROTECTEUR DU MOTEUR
	MISE À LA TERRE DU BOÎTIER
	BORNE À VIS
	BORNE À CONNEXION DE HARNAIS
	BORNE OSOLÉE
	FILTRE PASSAGER DE VOLT

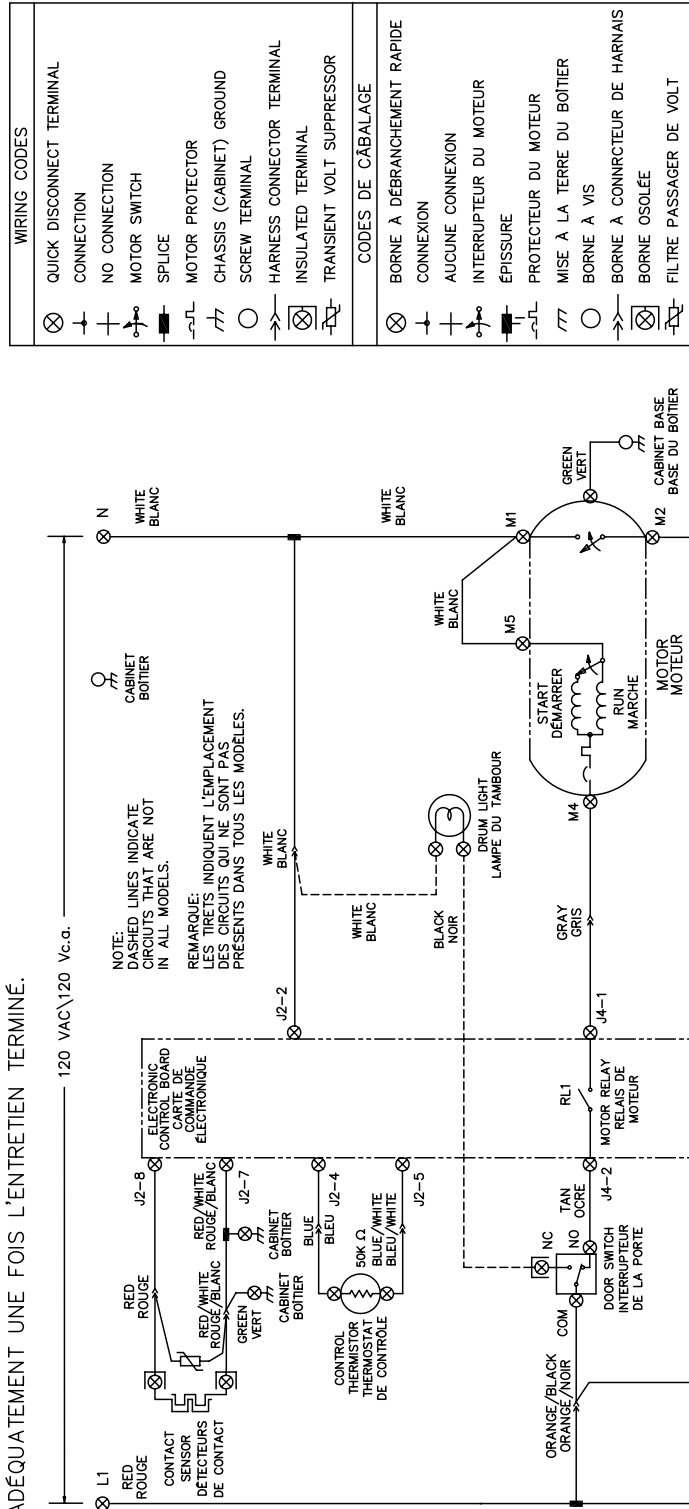
NOTES:
 1. ALL WIRING MUST CONFORM TO LOCAL ELECTRICAL CODES.
 2. CONNECT DRYER TO A 30 AMPERE INDIVIDUAL BRANCH CIRCUIT.
 3. CONTROL SHOWN IN OFF POSITION, DOOR SWITCH CLOSED & MOTOR AT REST.

REMARQUES:
 1. TOUT LE CÂBLAGE DOIT RESPECTER LES CODES DE L'ÉLECTRICITÉ LOCAUX
 2. BRANCHER LA SÈCHEUSE À UNE DÉRIVATION DISTINCTE DE 30 AMPÈRES.
 3. COMMANDE ILLUSTRÉE EN POSITION FERMÉ, INTERRUPTEUR DE LA PORTE FERMÉ, MOTEUR ARRÊTÉ.

WIRING DIAGRAM PART NO. 134509400
 SCHEMA DE CÂBLAGE N° DE PIÈCE

WIRING DIAGRAM

! CAUTION: DISCONNECT ELECTRIC CURRENT BEFORE SERVICING. LABEL ALL WIRES PRIOR TO DISCONNECTION WHEN SERVICING CONTROLS. WIRING ERRORS CAN CAUSE IMPROPER AND DANGEROUS OPERATION. VERIFY PROPER OPERATION AFTER SERVICING.
 ! ATTENTION: LORS DES OPÉRATIONS D'ENTRETIEN DES COMMANDES, ÉTIQUETER TOUS LES FILS ANAVT DE LES DÉCONNECTER TOUTE ERREUR DE CÂBLAGE PEUT ÊTRE UNE SOURCE DE DANGER ET DE PANNE. S'ASSURER QUE L'APPAREIL FONCTIONNE ADÉQUATEMENT UNE FOIS L'ENTRETIEN TERMINÉ.



WIRING CODES	
	QUICK DISCONNECT TERMINAL CONNECTION
	NO CONNECTION
	MOTOR SWITCH
	SPLICE
	MOTOR PROTECTOR
	CHASSIS (CABINET) GROUND
	SCREW TERMINAL
	HARNESS CONNECTOR TERMINAL
	INSULATED TERMINAL
	TRANSIENT VOLT SUPPRESSOR
CODES DE CÂBLAGE	
	BORNE À DÉBRANCHEMENT RAPIDE
	CONNEXION
	AUCUNE CONNEXION
	INTERRUPTEUR DU MOTEUR
	ÉPISURE
	PROTECTEUR DU MOTEUR
	MISE À LA TERRE DU BOÎTIER
	BORNE À VIS
	BORNE À CONNEXEUR DE HARNAIS
	BORNE OSOLÉE
	FILTRE PASSAGER DE VOLT

- NOTES:
1. ALL WIRING MUST CONFORM TO LOCAL ELECTRICAL CODES.
 2. CONNECT DRYER TO A 15 AMPERE INDIVIDUAL BRANCH CIRCUIT.
 3. CONTROL SHOWN IN OFF POSITION. DOOR SWITCH CLOSED & MOTOR AT REST.
- REMARQUES:
1. TOUT LE CÂBLAGE DOIT RESPECTER LES CODES DE L'ÉLECTRICITÉ LOCAUX
 2. BRANCHER LA SÈCHEUSE À UNE DERIVATION DISTINCTE DE 15 AMPÈRES.
 3. L'INTERRUPTEUR EST EN POSITION FERMÉE, L'INTERRUPTEUR DE LA PORTE FERMÉE, MOTEUR ARRÊTÉ.

WIRING DIAGRAM PART NO. 134509400
 SCHEMA DE CÂBLAGE N° DE PIÈCE