

Frigidaire

Factory Parts Catalog

Product No.	GLGR104FSS0
Series	Gallery
Market	North America
Color	white
Volts	120
Wiring Diagram	134067100
Owner's Guide	134671200
Installation Instructions	134296400
Operating Instructions	134843000

 **Electrolux**

Electrolux Major Appliances
 North & Latin America
 P.O. BOX 212378
 AUGUSTA, GA 30917

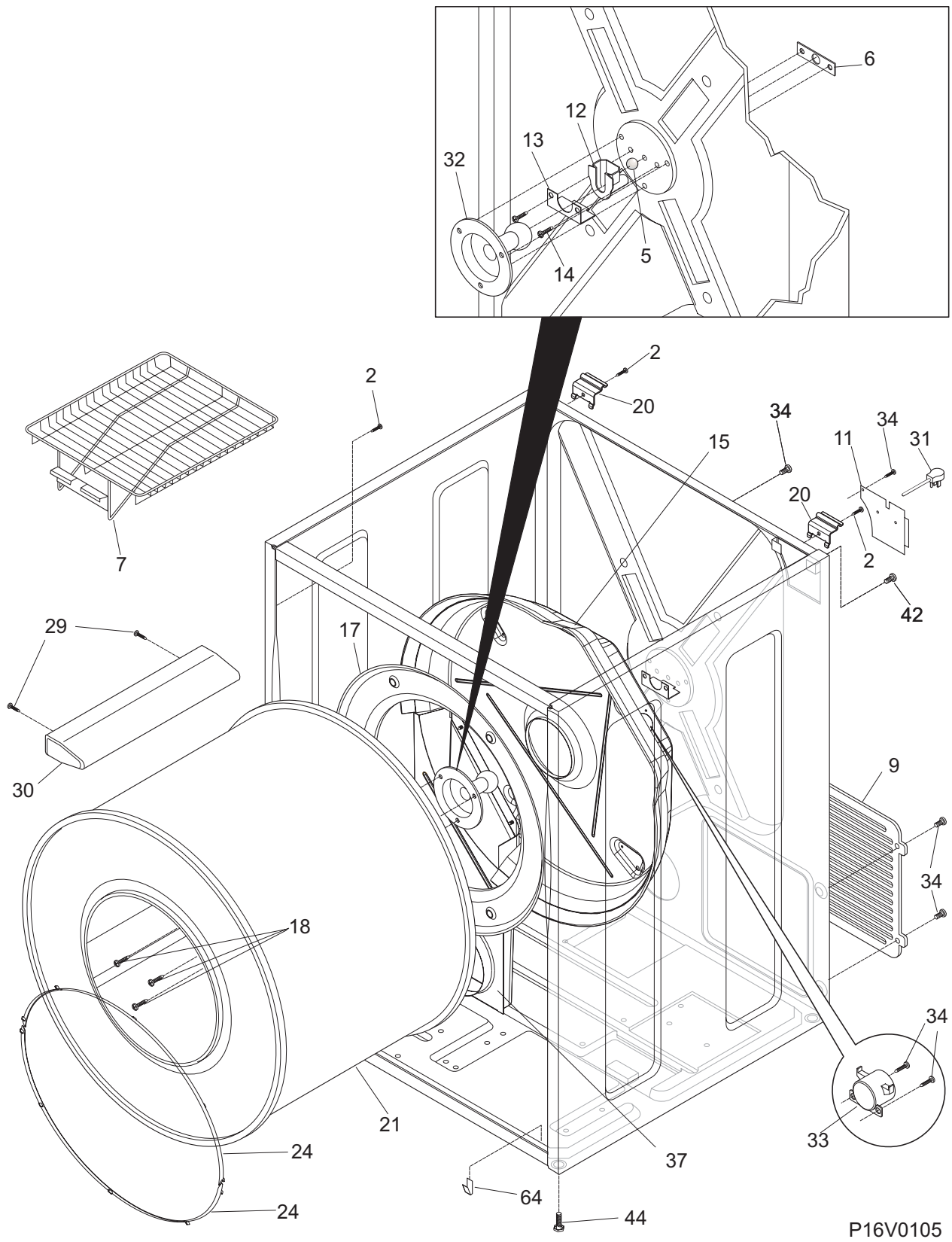
Publication No.
5995485314
 07/02/27
 (EN/SERVICE/WTC)
 361

GAS DRYER

Model No.
GLGR104FS

Copyright © 2007 Electrolux Home Products, Inc.
 All rights reserved.

CABINET/DRUM

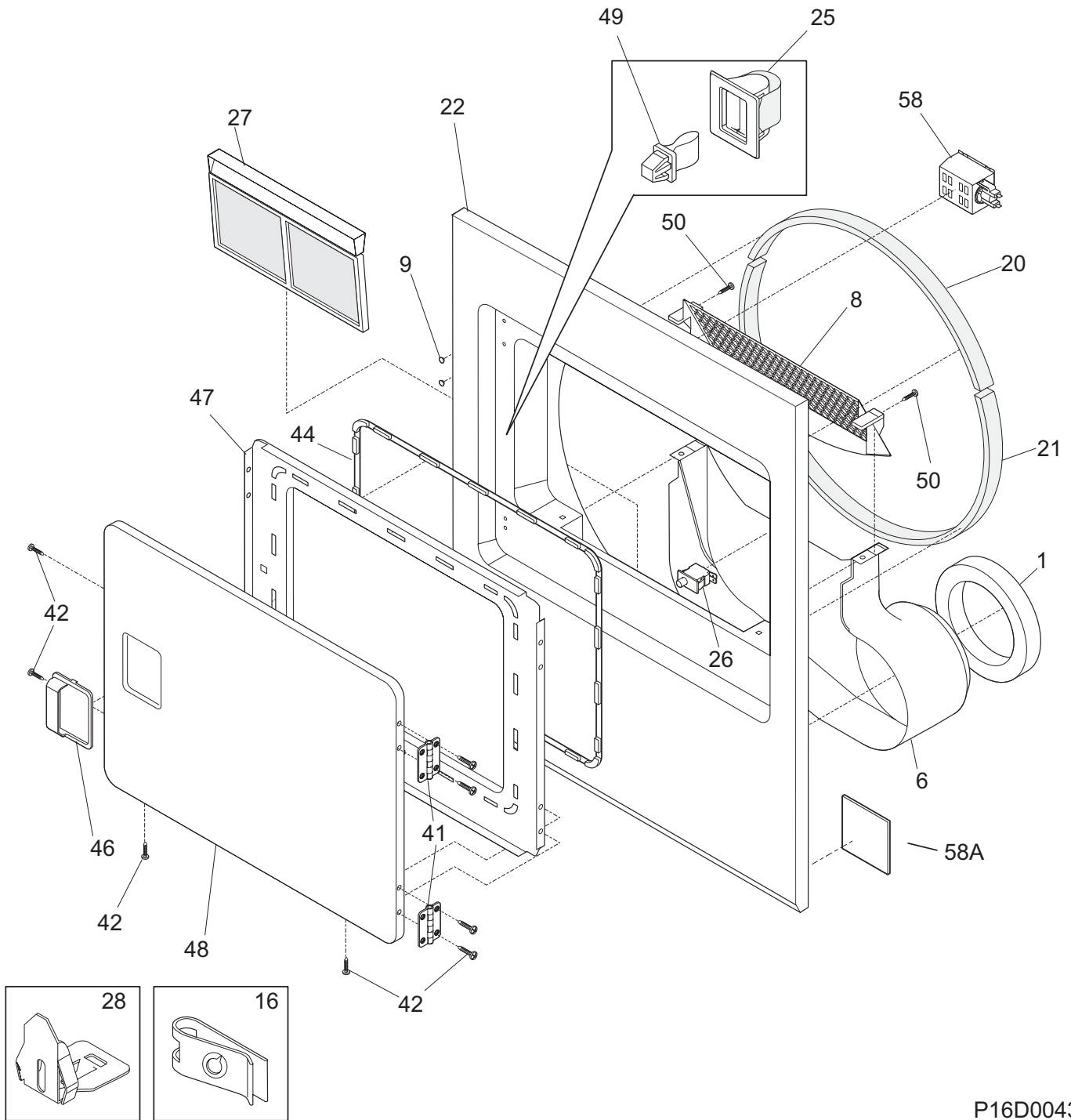


P16V0105

CABINET/DRUM

POS. NO	PART NO.	DESCRIPTION
2	131168200	Screw, pan head, 8-18B x 0.31
5	5303281019	Ball, grounding
6	5303281020	Clip, ball, steel, flat nut
7	134121200	Rack, drying
9	131793200	Panel, service access, rear
11	131363200	Cover, terminal block
12	131825900	Bearing, drum support
13	131724300	Bracket, bearing support
14	131205400	Screw, bracket mtg., 10-16B x 1.375, cr/sq drive
15 #	131600500	Housing, gas heater assy, w/seal
17	3204254	Baffle, heater shield
18	131477000	Screw, 10-16AB x 0.375
20	131469100	Bracket, hinge, rear, top panel mtg.
21	134122552	Drum, dryer, stainless steel, service kit
24	131963900	Glide, drum
29	131382300	Screw, quadrex head, 10-14 x 1.00, vane mtg., special
30	5303201200	Vane, straight
31 #	134501200	Power Cord, electric svce
32	131777700	Shaft, drum support, ballhitch
32*	5303307893	Lubricant, high temp
33 #	5308015399	Thermostat, safety
34	131243700	Screw, pan head, 8-18AB x 0.375
37	131952100	Duct, heat
42	134154100	Screw, hex washer head, 10-32 x 0.375, ground
44	134158000	Leveling Leg, screw
64	131704600	Clip, front, cabinet bottom
* #	134101400	Terminal Block, main
* #	5303281153	Rear Bearing Kit, includes 5, 6, 12, 13, 14, 18, 32

FRONT PANEL/LINT FILTER

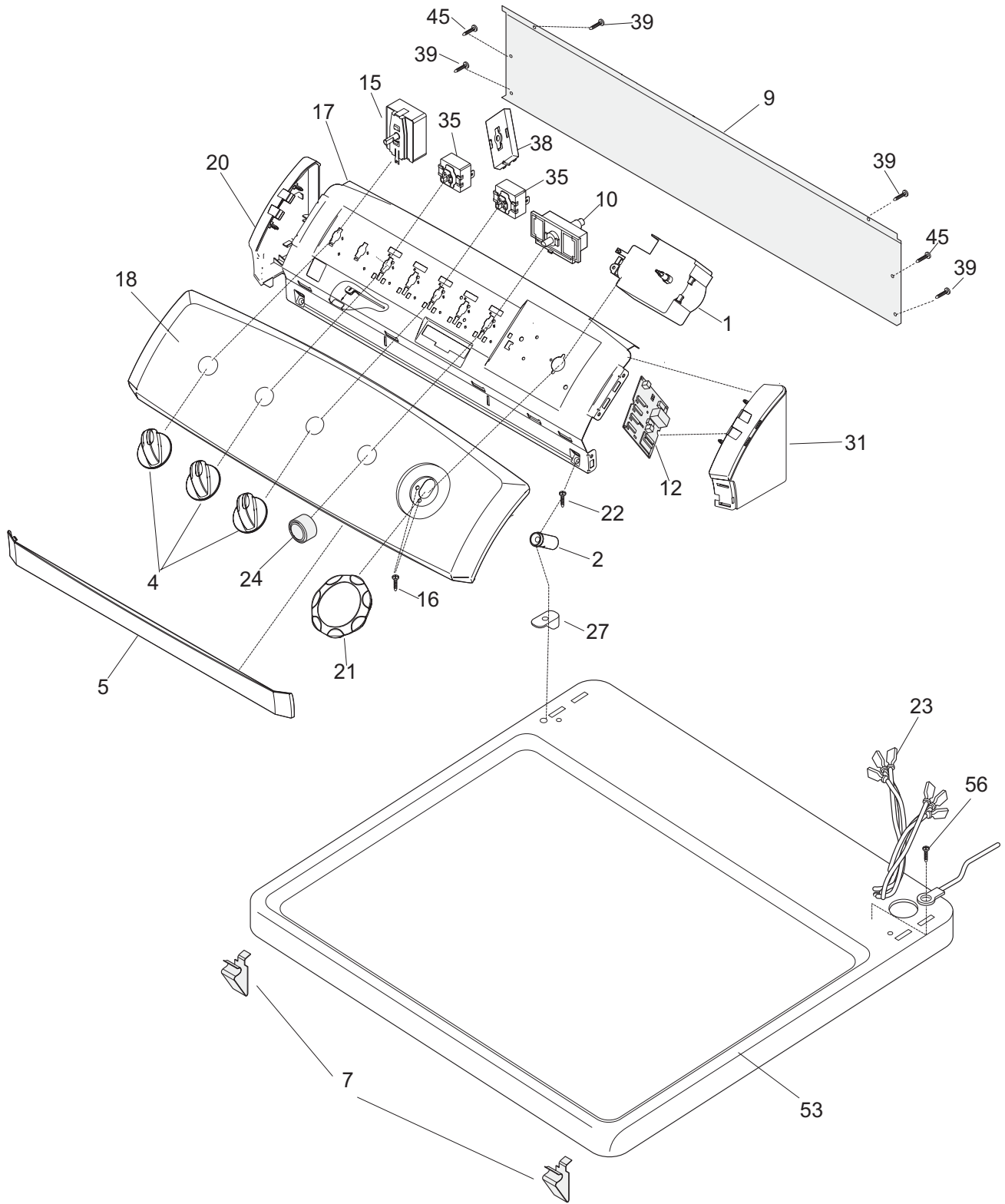


P16D0043

FRONT PANEL/LINT FILTER

POS. NO	PART NO.	DESCRIPTION
1	134417000	Seal, air duct
6	131621900	Duct, air
8 #	131845800	Cover, lint housing, w/moist sensor
8* #	131846600	Wiring Harness, sensor & light
9	131633200	Plug, white
16	134440100	Clip, U-nut
20	134440200	Seal, felt, upper
20*	5308027429	• Adhesive, high temp
21	134134700	Seal, felt, lower
22	131845912	Panel, front, white, w/lamp hole
22*	131474700	Insulation
25	131658800	Door Catch
26 #	131843101	Switch, door, rectangle, with drum light
27	131450300	Trap, lint blade assy
28	134440000	Clip, guide
41	134222900	Hinge, dryer door
42	134156200	Screw, flat head, 8-18AB x 0.44, quad drive
44	131129900	Gasket, door seal
46	131644700	Handle, door, white
47	131844104	Panel, inner door, white
48	131789303	Panel, outer door, white
49	5303211430	Door Strike
50	131303300	Screw, pan head, 10-16AB x 0.500, locking
58 #	131843500	Lamp Assy, drum light, w/mtg bracket
58* #	131862800	• Lamp
58A	131744202	Damper, vibration

CONTROLS/TOP PANEL

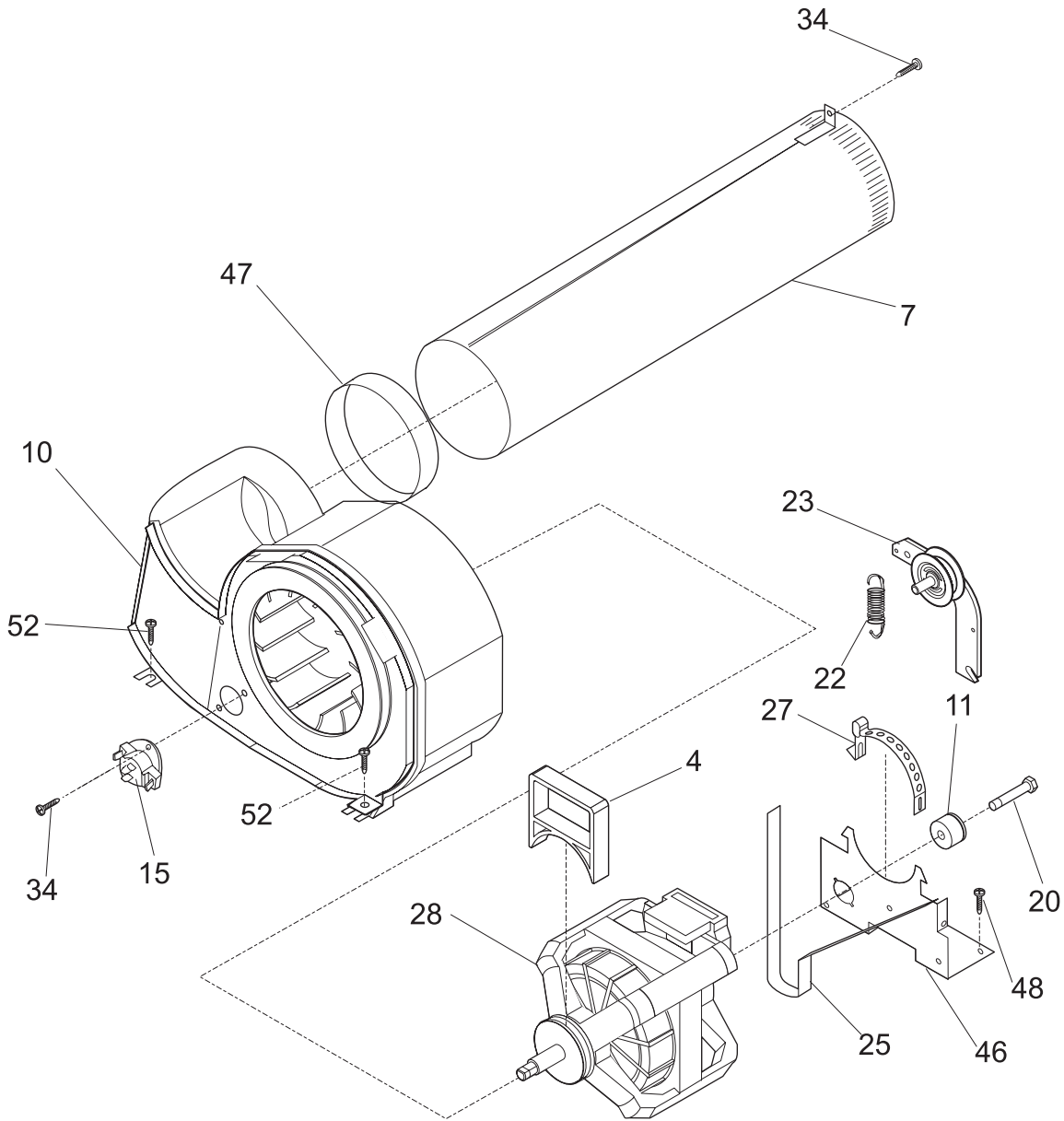


P16C0236

CONTROLS/TOP PANEL

POS. NO	PART NO.	DESCRIPTION
1 #	131930600	Timer
2	134096100	Spacer, console mtg
4	134034910	Knob, rotary, white
5	134019900	Closure, console trim, white, front
7	3205821	Clip, top-to-front
9	131992900	Panel, backsheet, console
10 #	131469000	Switch, push/start
12	134216300	Control Board, moisture sensor
15 #	134398600	Switch, temperature, 4 posn rotary
16	134034300	Screw, pan hd phillips, 8-18B x 0.250
17	131993040	Bracket, control mtg.
18	134843100	Panel, trimplate, white, console front
20	134019610	End Cap, white, LH
21	134035500	Knob, timer, white/gray
22	131266330	Screw, 8-18 x 1.250
23 #	134134000	Wiring Harness
24	131111501	Button, start switch, white, push type
27	131197000	Clip, console mtg
31	134019600	End Cap, white, RH
35 #	131243200	Switch, 2 position
38 #	131959200	Beeper, continuous, low tone
39	131168200	Screw, pan head, 8-18B x 0.31
45	131205100	Screw, #8 pan head, 10-10B x 0.500, cr/sq drive
53	134086802	Panel, dryer top, white, console mtg
56	131243800	Screw, pan hd locking, 8-32CA x 0.375, cup point

MOTOR

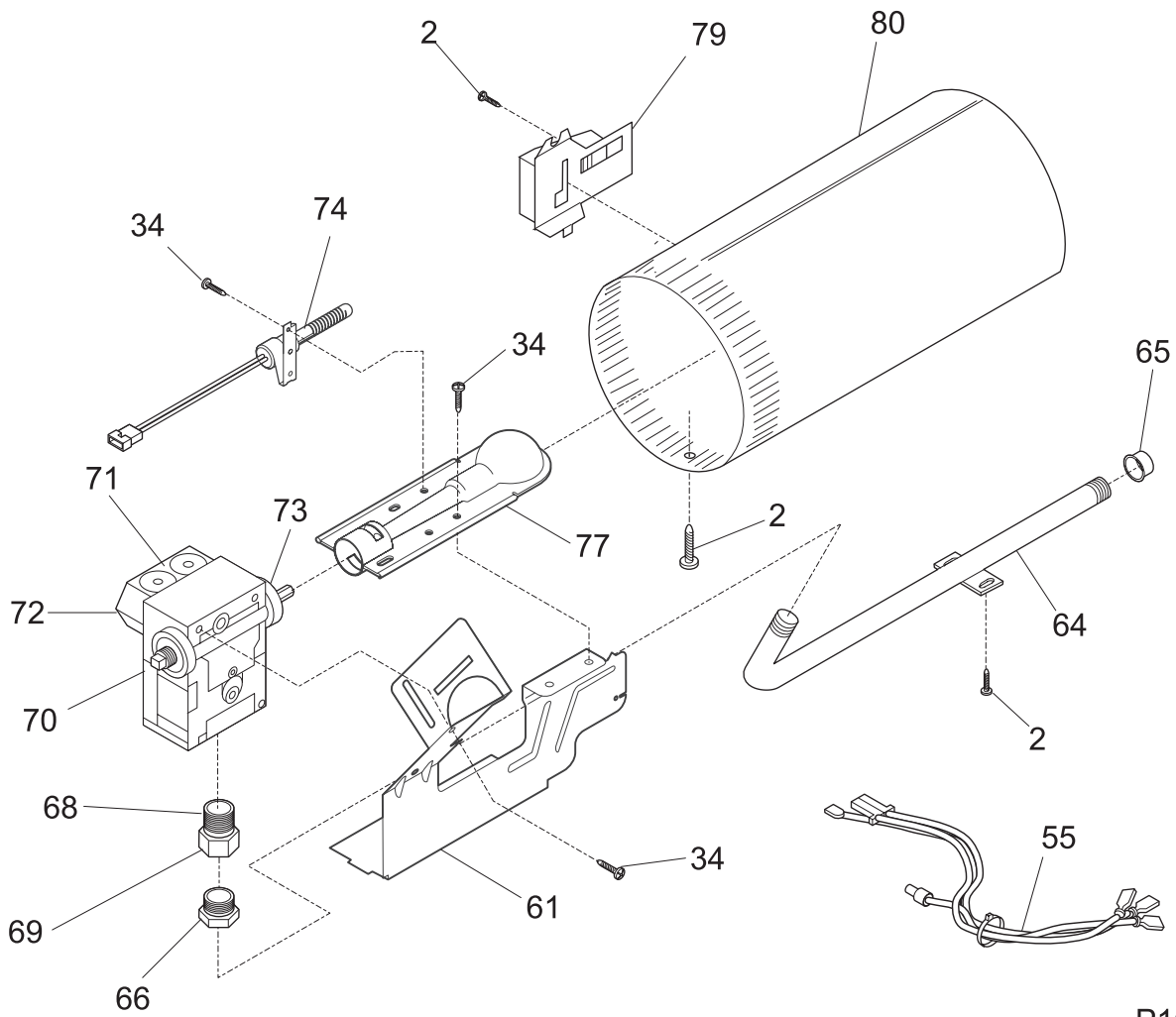


P16M0024

MOTOR

POS. NO	PART NO.	DESCRIPTION
4	131435200	Lock, blower housing
7	131451600	Tube, exhaust, rear, w/mtg bracket
7*	131456800	Tube, exhaust, side/bottom, Optional Kit
10 #	131775600	Blower Assy, housing, w/cover & wheel
11	131749800	Spacer, idler
15 #	134048900	Thermostat, control
20	131017900	Screw, hex head, 1/4-20T x 1.25, spacer mtg., thread cutting
22	131601000	Spring, idler arm
23 #	131863007	Idler Arm Assy, w/pulley
25 #	134503600	Belt, dryer
27	134242400	Clamp, motor mtg.
28 #	131560100	Motor & Pulley Assy
34	131243700	Screw, pan head, 8-18AB x 0.375
46	134203400	Bracket, motor mtg
47	131633300	Seal, exhaust tube
48	131168200	Screw, pan head, 8-18B x 0.31
52	131202300	Screw, 10-16AB x 0.625

BURNER



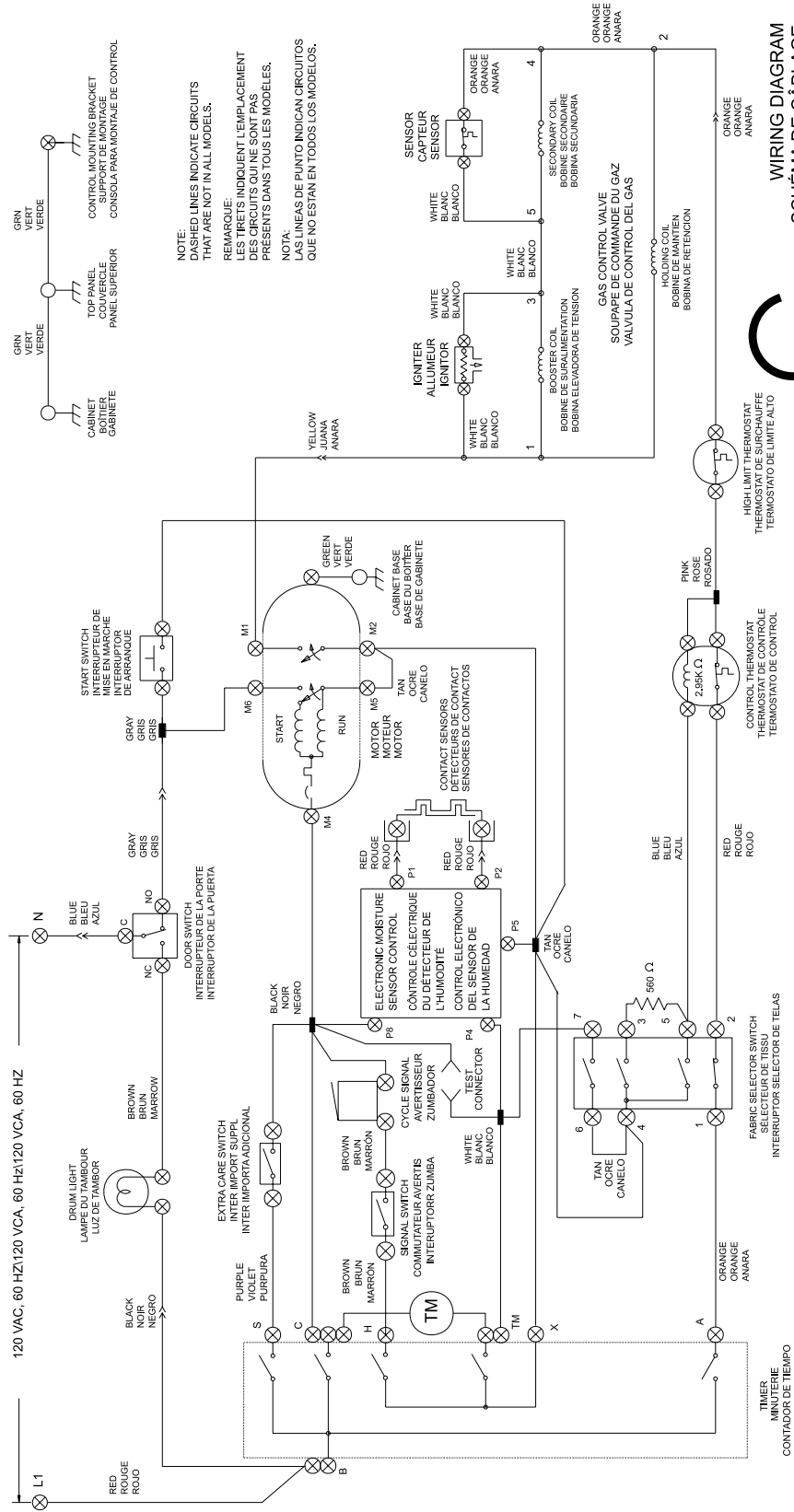
P16B0015

BURNER

POS. NO	PART NO.	DESCRIPTION
2	131168200	Screw, pan head, 8-18B x 0.31
34	131243700	Screw, pan head, 8-18AB x 0.375
55 #	134389600	Wiring Harness, gas valve
61	134122000	Bracket, burner mtg
64	134144900	Pipe, gas, right angle
65	08015112	Cap, pipe
66	134128700	Bushing, coupler
68	134185100	Tail Piece, coupling
69 #	5308015194	Union, hex nut
70 #	5303207409	Valve, gas
71 #	5303307291	Coil, secondary
72 #	5303307292	Coil, booster
73 #	5303207410	Orifice, natural gas, size 44
74 #	134192000	Igniter Assy
77 #	134197700	Burner, gas
79 #	5303281135	Sensor, radiant
80 #	134200801	Tube, burner, riveted
* #	134315100	LP Conversion Kit, natural to LP

WIRING DIAGRAM

- ! CAUTION: DISCONNECT ELECTRIC CURRENT BEFORE SERVICING. LABEL ALL WIRES PRIOR TO DISCONNECTION WHEN SERVICING CONTROLS. WIRING ERRORS CAN CAUSE IMPROPER AND DANGEROUS OPERATION. VERIFY PROPER OPERATION AFTER SERVICING.
- ! ATTENTION: LORS DES OPÉRATIONS D'ENTRETIEN DES COMMANDES, ÉTIQUETER TOUS LES FILS AVANT DE LES DÉCONNECTER. TOUTE ERREUR DE CÂBLAGE PEUT ÊTRE UNE SOURCE DE DANGER ET DE PANNE. S'ASSURER QUE L'APPAREIL FONCTIONNE ADÉQUATEMENT UNE FOIS L'ENTRETIEN TERMINÉ.
- ! ATENCIÓN: CUANDO SE REPARAN LOS CONTROLES, MARQUE TODOS CABLES CON ETIQUETAS ANTES DE DESCONECTARLOS. CUALQUIER ERRORES DE CABLEADO PUEDEN CAUSAR LA OPERACIÓN INADECUADA Y PELIGROSA. ASEGÚRESE DE QUE LA SECADORA FUNCIONE ADECUADAMENTE DESPUÉS DE REPARARLA.



WIRING DIAGRAM
SCHEMA DE CÂBLAGE
DIAGRAMA DE CONEXIONES
134067100



WIRING DIAGRAM

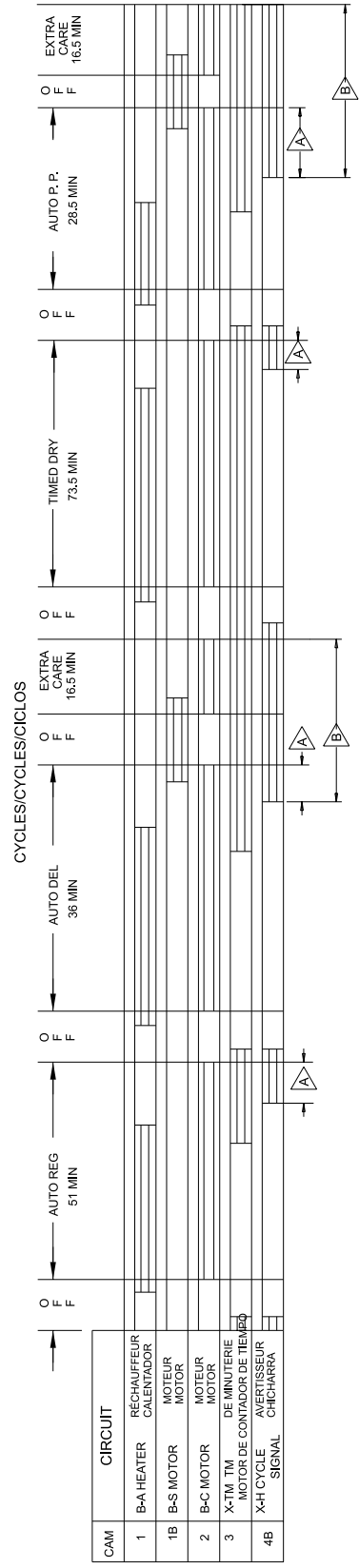
FABRIC SELECTOR SWITCH BOUTTON DE SELECTION DU TISSU INTERRUPTOR SELECTOR DE TELAS		CIRCUIT CIRCUIT CIRCUITO	
FUNCTION REGULIER MEDIUM LOW	FUNCTION REGULIER MEDI BAJO	1-2 X X X	4-3 4-5 6-7 X X X
REGULIER	REGULIER	X	
MEDIUM	MEDI	X	
LOW	BAJO	X	
AIR FLUFF	ESQUINADO COVARE		X

WIRING CODES	CODES DE CÂBLAGE	CODIGOS DE ALAMBRADOS
⊗ QUICK DISCONNECT TERMINAL CONNECTION	BORNE À DÉBRANCHEMENT RAPIDE CONNEXION	TERMINAL DE DESCONEXION RAPIDA CONEXION
⊕ NO CONNECTION	AUCUNE CONNEXION	SIN CONEXION
⊖ MOTOR SWITCH	INTERRUPTEUR DU MOTEUR EPISSURE	INTERRUPTOR DEL MOTOR EMPALME
⊖-⊕ MOTOR PROTECTOR	PROTECTEUR DU MOTEUR MISE À LA TERRE DU BOMISE ITER	PROTECTOR DEL MOTOR PUESTAA TERRA DEL CHASIS (GABINETE)
⊖ CHASSIS (CABINET) GROUND	BORNE À VIS	BORNE DE TORNILLO
⊖ HARNESS CONNECTOR TERMINAL	BORNE À CONNECTEUR DE HARNAIS	TERMINAL CONECTOR DE CONEXIONADO
⊖ INSULATED TERMINAL	BORNE OSOLÉE	TERMINAL AISLADO

NOTAS:
 1. ALL WIRING MUST CONFORM TO LOCAL ELECTRICAL CODES.
 2. CONNECT DRYER TO A 15 AMP INDIVIDUAL BRANCH CIRCUIT.
 3. TIMER SHOWN IN OFF POSITION, DOOR SWITCH CLOSED, MOTOR AT REST, THERMOSTAT CLOSED AND FABRIC SELECTOR SWITCH AT REGULAR.

REMARQUES:
 1. TOUT LE CÂBLAGE DOIT RESPECTER LES CODES DE L'ELECTRICITE' LOCAUX.
 2. BRANCHER LA SÈCHEUSE À UNE DÉRIVATION DISTINCTE DE 15 AMPÈRES.
 3. MINUTERIE ILLUSTRÉE EN POSITION FERMÉ. INTERRUPTEUR DE LA PORTE FERMÉ. MOTEUR ARRÊTÉ. THERMOSTAT FERMARRÊTÉ ET BOUTTON DE SELECTION DU TISSU SUR RÈGULIER.

NOTES:
 1. ALL WIRING MUST CONFORM TO LOCAL ELECTRICAL CODES.
 2. CONNECT DRYER TO A 15 AMP INDIVIDUAL BRANCH CIRCUIT.
 3. TIMER SHOWN IN OFF POSITION, DOOR SWITCH CLOSED, MOTOR AT REST, THERMOSTAT CLOSED AND FABRIC SELECTOR SWITCH AT REGULAR.



BAR CHART ABOVE REPRESENTS ONE COMPLETE REVOLUTION OF TIMER SHAFT.

LE DIAGRAMME SUR LA GAUCHE REPRÉSENTE UNE ROTATION COMPLÈTE DE L'ARBRE DE LA MINUTERIE.

SHADED PORTION OF BAR CHART INDICATES THE PROPORTIONAL TIMES THAT INTERNAL TIMER CONTACTS ARE CLOSED.

LA PARTIE OMBRÉE DU DIAGRAMME INDIQUE LE TEMPS RELATIF PENDANT LEQUEL LES CONTACTS INTERNES DE LA MINUTERIE SONT FERMÉS.

A PULSAR CAM, LOCATED NEXT TO THE BUZZER CAM AND ROTATING AT 12 REVOLUTIONS PER HOUR, ALLOWS CIRCUITS "X-H" TO CLOSE FOR 5 SECONDS (±3 SECONDS).

UNE CAME D'IMPULSION SITUÉE À CÔTÉ DE LA CAME DE L'AVERTISSEUR ET TOURNANT À RAISON DE 12 TOURS À L'HEURE PERMET AU CIRCUIT «X-H» DE SE FERMER PENDANT 5 SECONDES (±3 SECONDES).

EL GRÁFICO DE BARRAS DE LA IZQUIERDA REPRESENTA UNA REVOLUCION COMPLETA DEL EJE DEL CRONIZADOR.

LA PORCIÓN SOMBRADA DEL GRÁFICO DE BARRAS INDICA LOS TIEMPOS PROPORCIONALES QUE LOS CONTACTOS INTERNOS DEL CRONIZADOR ESTAN CERRADOS.

UNA LEVA GENERADORA DE IMPULSOS, UBICADA JUNTO A LA LEVA DEL ZUMBADOR Y GIRANDO A 12 REVOLUCIONES POR HORA, PERMITE QUE EL CIRCUITO "X-H" SE CIERRE DURANTE 5 SEGUNDOS (±3 SEGUNDOS).

WIRING DIAGRAM
 SCHEMA DE CÂBLAGE
 DIAGRAMA DE CONEXIONES
 134067100



⊖ 1 OR 2 TIMES IN THIS AREA
 ⊖ 5 TO 7 TIMES IN THIS AREA

⊖ 1 OU 2 FOIS DANS CETTE SECTION
 ⊖ DE 5 À 7 FOIS DANS CETTE SECTION

⊖ 1 O 2 VECES EN ESTA AREA
 ⊖ 5 A 7 VECES EN ESTA AREA