

FFFC15M4TW



AVAILABLE COLORS



SIGNATURE FEATURES

Casters Included

4 Optional casters allow you to conveniently move your freezer.

Adjustable Temperature Control

Select the correct temperature for your needs.

Power-On Indicator Light

Know at a glance that your freezer is working.

Lock with Pop-Out Key

The freezer key automatically ejects after locking the door so you won't leave it in the door.

FREEZER

MANUAL DEFROST
14.8 CU. FT. CHEST

PRODUCT DIMENSIONS

Height (Including Lid)	32-1/2"
Width	55-3/4"
Depth	29-9/16"

MORE EASY-TO-USE FEATURES

SpaceWise® Adjustable Baskets

Find items faster with removable plastic baskets that can help you organize items by categories or purchase date, and can be slid across freezer.

Color-Coordinated Handle

LED Lighting

FFFC15M4TW FREEZER

14.8 CU. FT. CHEST

FRIGIDAIRE

FEATURES

Defrost	Manual
Adjustable Temperature Control	Yes
Interior Lighting	LED
SpaceWise® Removable Baskets	2
Defrost Water Drain	Yes
Lid Handle	Yes
Lock with Pop-Out Key	Yes
Casters (Included)	4
Power-On Light	Yes

CERTIFICATIONS

CSA Rating	Household
------------	-----------

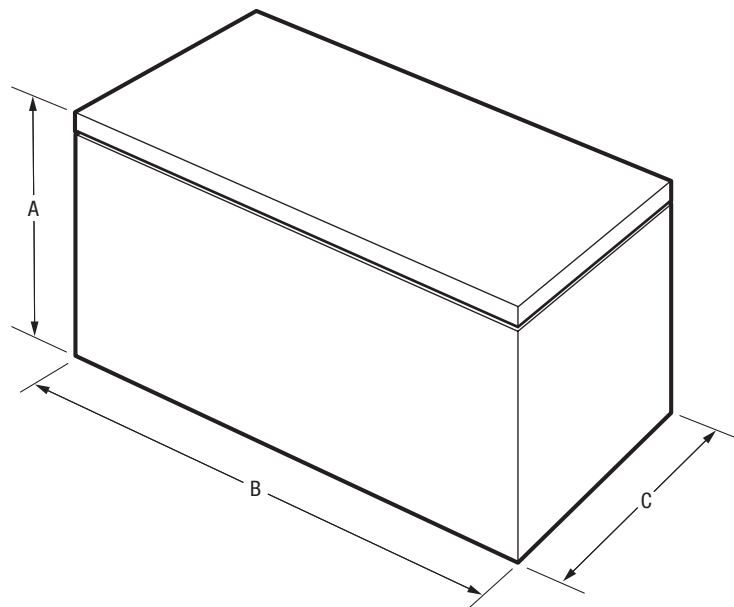
SPECIFICATIONS

Total Capacity (Cu. Ft.)	14.8
Annual Energy (kWH)	296
Annual Energy Cost (.1065/kWH)	\$35.52
Power Cord Connection Location	Left Bottom Rear
Voltage Rating	115V/60Hz
Connected Load (kW rating) @ 115 Volts ¹	0.6
Amps @ 115 Volts	5
Minimum Circuit Required (Amps)	15
Shipping Weight (Approx.)	152 Lbs.

¹An electrical supply with grounded three-prong receptacle is required. The power supply circuit must be installed in accordance with current edition of National Electrical Code (NFPA 70) and local codes & ordinances.

PRODUCT DIMENSIONS

A - Height (Including Lid)	32-1/2"
B - Width	55-3/4"
C - Depth	29-9/16"
Height with Lid Open 90°	59-7/8"

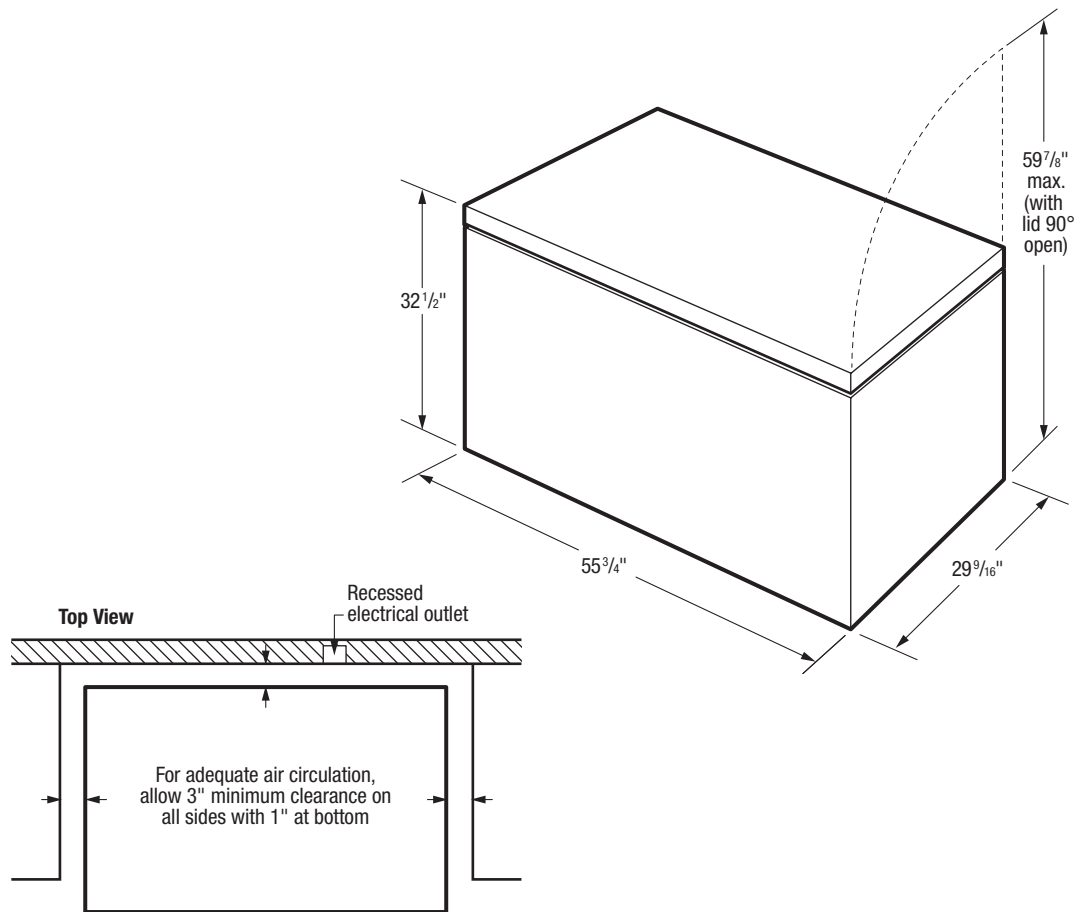


Note: For planning purposes only. Always consult local and national electric, gas and plumbing codes. Refer to Product Installation Guide for detailed installation instructions on the web at frigidaire.com / frigidaire.ca. Specifications subject to change. Accessories information available on the web at frigidaire.com / frigidaire.ca

FRIGIDAIRE

USA • 10200 David Taylor Drive • Charlotte, NC 28262 • 1-800-FRIGIDAIRE • frigidaire.com
CANADA • 5855 Terry Fox Way • Mississauga, ON L5V 3E4 • 1-800-265-8352 • frigidaire.ca

FFFC15M4T 11/17
© 2017 Electrolux Home Products, Inc.



INSTALLATION SPECIFICATIONS

- Product Shipping Weight (approx.) – 152 Lbs.
- An electrical supply with grounded three-prong receptacle is required. The power supply circuit must be installed in accordance with current edition of National Electrical Code (NFPA 70) and local codes & ordinances.
- Voltage Rating – 115V/60 Hz
- Connected Load (kW Rating) @115 Volts = 0.6 kW
- Amps @115 Volts = 5 Amps
- Always consult local and national electric codes.
- For adequate air circulation, allow 3" minimum clearance on all sides with 1" at bottom.
- Locate where surrounding air temperature will not exceed 110°F, to ensure optimum performance. (Temperatures 32°F and below will NOT affect operation.)
- All bottom corners of unit MUST rest firmly on solid level surface of hard material, same height as flooring. Surface must be strong and stable enough to support unit when fully loaded.
- Equipped with adjustable leveling legs to ensure unit is level, which is required in order to function properly.

