



Freezer

FFFU21M1QW

Manual Defrost
21 Cu. Ft. Upright



Product Dimensions

Height (Including Hinges)	73-1/4"
Width	34"
Depth (Including Door)	30-1/2"

More Easy-To-Use Features

Colour-Coordinated Handle

Adjustable Temperature Control
Select the correct temperature for your needs.

Available in:



White
(W)

Signature Features

Bright Lighting

Our bright lighting makes it easy to see what's inside.

Lock with Pop-Out Key

The freezer key automatically ejects after locking the door so you won't leave it in the door.

Power-On Indicator Light

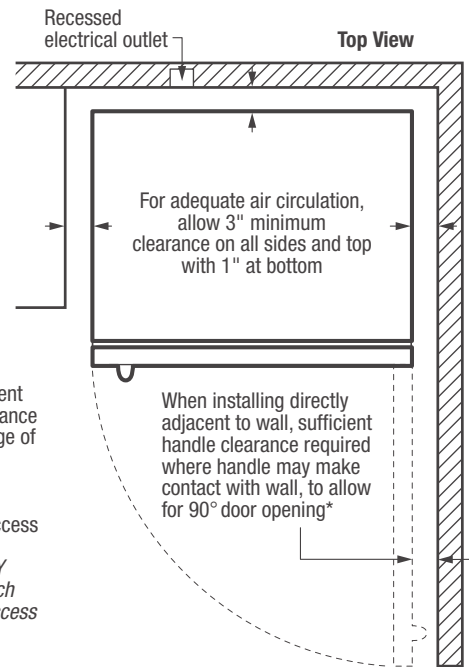
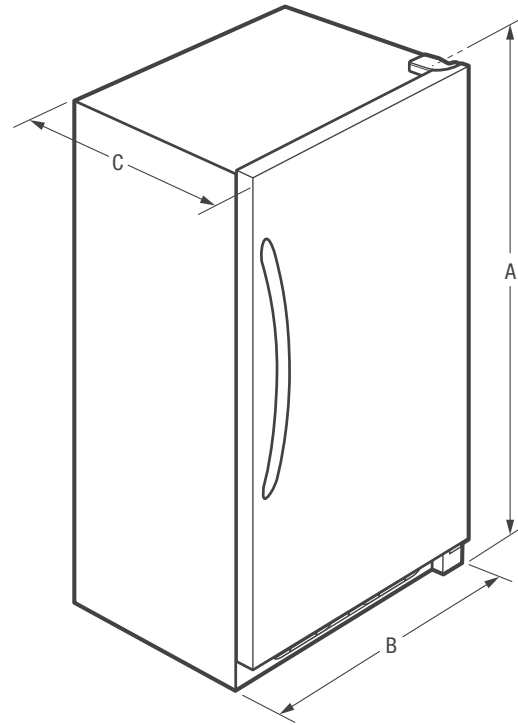
Know at a glance that your freezer is working.

Defrost Water Drain

Use the drain to conveniently remove water during defrosting.

Features	
Door Handle Design	Reach-Through
Reversible Door	
Automatic Door Closer	Yes
Leveling Legs	Yes
Lock with Pop-Out Key	Yes
Defrost	Manual
Adjustable Temperature Control	Mechanical Dial
Front Digital Display	
Temp Display Mode	1-7
High-Temp Duration Readout	
High-Temp Alarm	
Door Ajar Alarm	
Airflow Ports	
Interior Lighting	Incandescent
Full-Width Adjustable Shelves	
Full-Width Fixed Shelves	4 Wire
Removable Trivet	
Mid-Level Baskets	
Lower Storage Basket	
Basket Dividers	
Retractable Pizza Shelf	
Full-Width Door Bins	
Store-More™ Tilt-Out Wire Door Bins	
Fixed Door Racks	6
Defrost Drain	Yes
Power-On Light	Yes
Certifications	
CSA Rating	Household
Specifications	
Total Capacity (Cu. Ft.)	20.94
Shelf Area (Sq. Ft.)	13.1
Annual Energy (kWH)	397
Annual Energy Cost (.12/kWH)	\$48
Power Supply Connection Location	Lower Right Rear
Voltage Rating	115V, 60Hz
Connected Load (kW rating) @ 115 Volts ¹	.60
Amps @ 115 Volts	5
Minimum Circuit Required (Amps)	15
Shipping Weight (Approx.)	198 Lbs.

¹An electrical supply with grounded three-prong receptacle is required. The power supply circuit must be installed in accordance with current local codes & ordinances.



* When installing freezer adjacent to wall, cabinet or other appliance that extends beyond front edge of unit, 20" minimum clearance recommended to allow for optimum 140° door swing, providing complete basket access and removal. (Absolute 3" minimum clearance will ONLY allow for 90° door swing which will provide limited basket access with restricted removal.)

When installing directly adjacent to wall, sufficient handle clearance required where handle may make contact with wall, to allow for 90° door opening*

NOTE: For planning purposes only. Always consult local and national electric codes. Refer to Product Installation Guide for detailed installation instructions on the web at frigidaire.ca.



Product Dimensions	
A - Height (Including Hinges)	73-1/4"
B - Width	34"
C - Depth (Including Door)	30-1/2"
Depth with Door Open 90°	62-1/8"

Accessories information available on the web at frigidaire.ca