

Frigidaire

Factory Parts Catalog

Product No.	PLFH1779GS3
Series	Twins
Color	black-s/s
Volts	115
Wiring Diagram	297005601
Owner's Guide	297208600
Market	North America
Energy Guide	216910408

 **Electrolux**

Electrolux Major Appliances
North & Latin America
P.O. BOX 212378
AUGUSTA, GA 30917

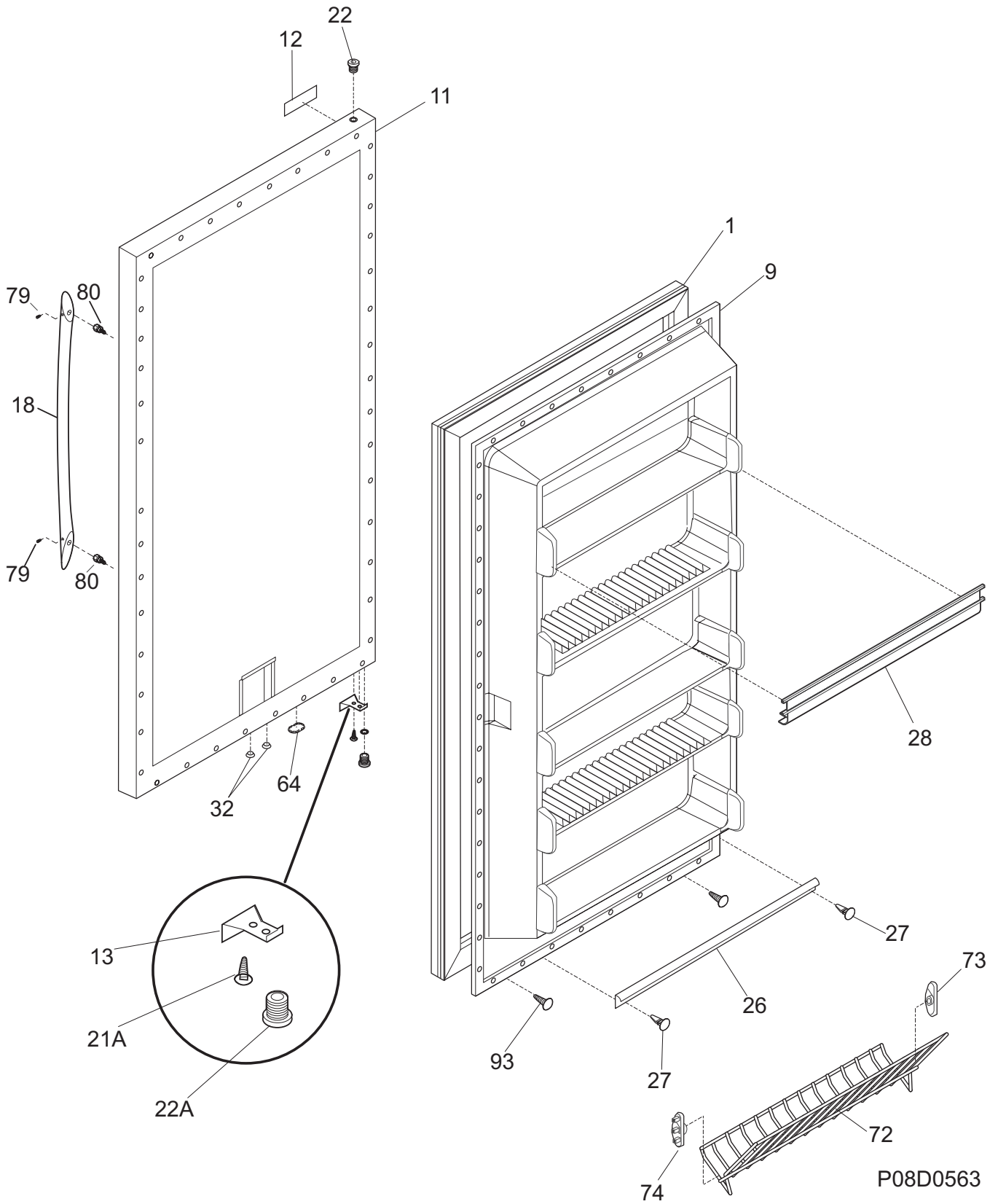
Publication No.
5995525101
08/09/30
(EN/SERVICE/MLR)
365

**UPRIGHT FREEZER
W/ICE MAKER**

Model No.
PLFH1779GS

Copyright © 2008 Electrolux Home Products, Inc.
All rights reserved.

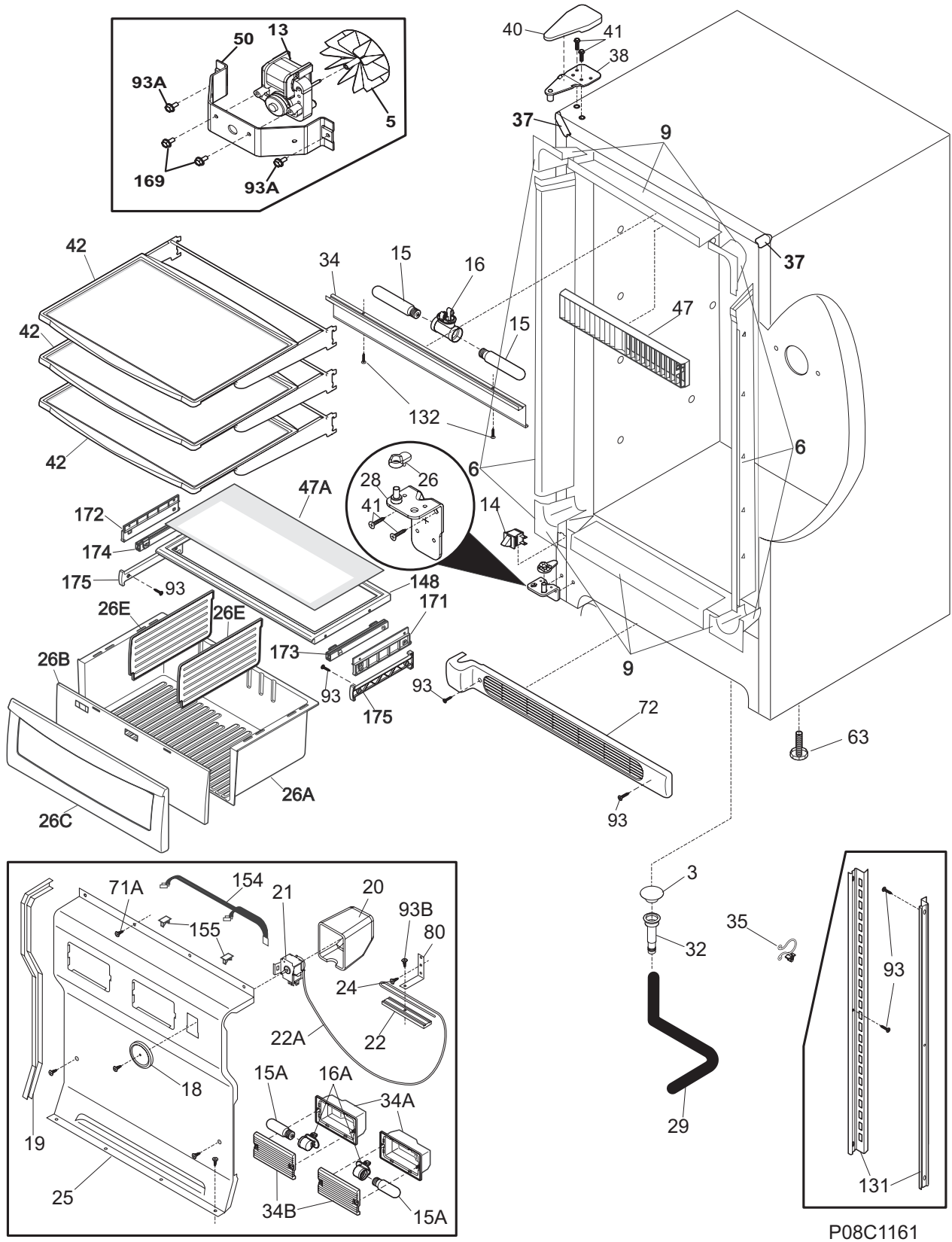
DOOR



DOOR

POS. NO	PART NO.	DESCRIPTION
1	216522311	Gasket-door, black
9	216527813	Panel-inner door
11	297245225	Panel-outer door, stainless
12	241808801	Label-nameplate
13	297254101	Door Stop, LH
18	240536818	Handle-door, stainless steel, with insert, & set screw
*	240537301	Nut-anchor, door hdl screw
*	297048000	Screw, anchor, #8, white
21A	297197500	Screw, door stop mtg, FH38-16X.750, P Twin
22	216970800	Bearing, hinge w/o'ring, top
22A	297006800	Bearing-hinge, btm, w/o'ring
26	216524200	Gasket, secondary
27	5303212828	Clip, panel mtg
27*	5304406520	Clip, panel mtg kit, (40)
28	216806100	Rack-door, contour, (3)
32	5309950074	Valve, breather
64	216403700	Plug-button, hole filler, door base
72	297118100	Shelf, tilt out, wire
73	216513900	End Cap, shelf, LH, tilt-out
74	216514000	End Cap, shelf, RH, tilt-out
79	218755402	Screw-set, 10-32 x 0.375
80	218755504	Screw-shoulder, #10 AB, handle mounting
93	5304460605	Screw, ph truss head, 8-18AB x 0.500

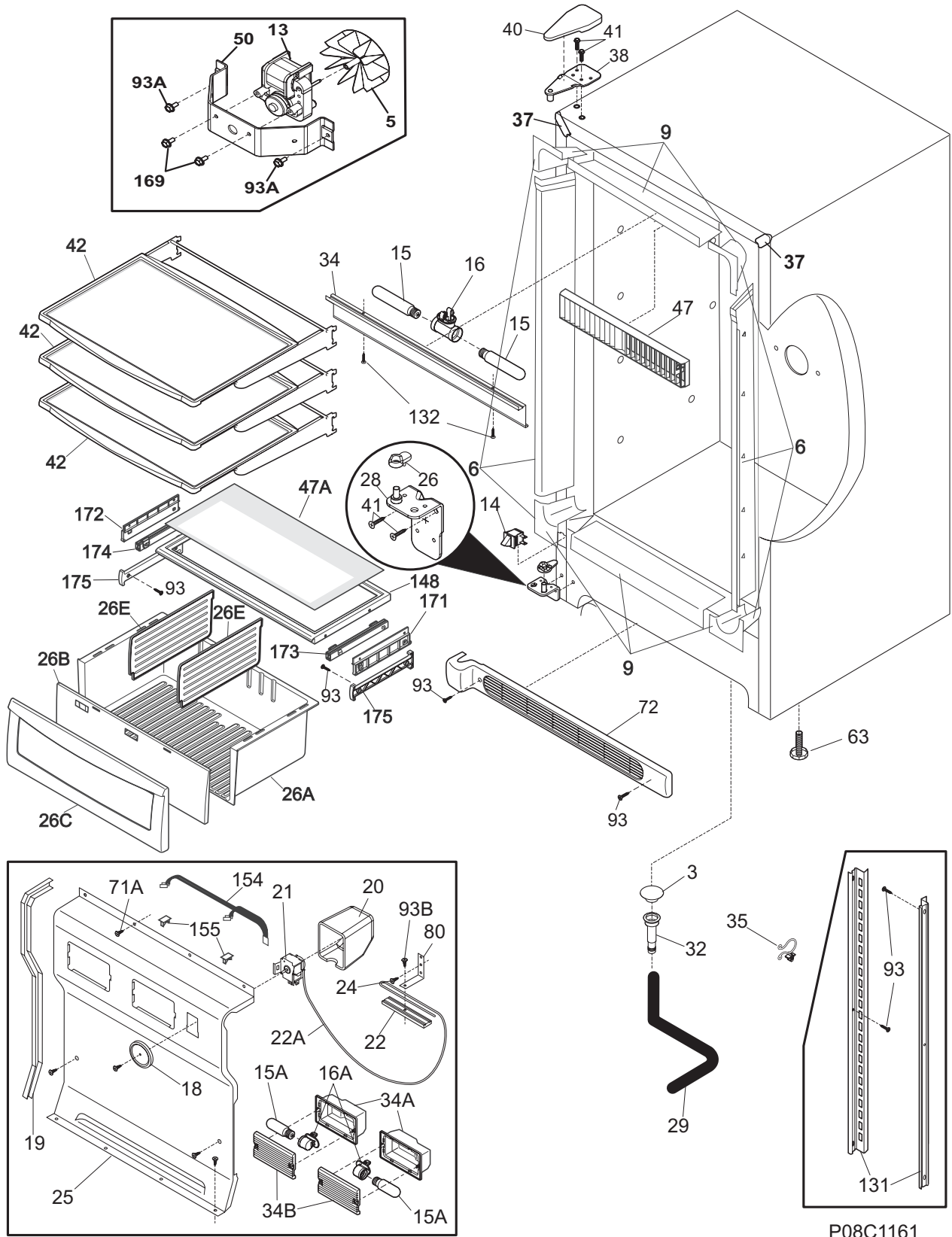
CABINET



CABINET

POS. NO	PART NO.	DESCRIPTION
3	216503100	Screen-drain
5	297259600	Fan Blade, evaporator
6	297200600	Breaker Kit w/corners, no lock slot
9	297200100	Breaker Kit w/corners, 32", top and bottom
13 #	297250000	Motor, fan, 115 V
14	216998100	Switch, light/lamp, black, ramp
15	216988100	Light Bulb/Lamp, long, blue tint, 40 W, 120V
15A	297048600	Light Bulb/Lamp, short
16	241507803	Socket-light
16*	297109500	Washer, vinyl
16A	216817600	Socket, light/lamp, 25 W
18	216707200	Knob, temp control
19	216204902	Gasket-evap cover
20	216967200	Cover, temp control
21	216715200	Control-temperature
22	216823500	Clamp, cap tube, cold control
22A	5303916855	Tube, sensor sleeve, plastic, clear
24	5304460604	Screw, type A, 10-24 x 3/8
25	297099256	Cover-evaporator
26	297248200	Ramp, door closer, LH
26A	297091600	Case-crisper, shallow
26A*	297142600	Screw, blunt, 8-32 x 5/8
26B	297091801	Panel, crisper window
26C	297091704	Panel, crisper front
26E	297099400	Divider-crisper, shallow
28	297240801	Hinge-bottom, stepped pin, LH
29	216313501	Hose-drain
32	5308005500	Drain
34	216979504	Shield-light
34A	297053100	Shield-light
34B	297053200	Lens, light
35	216273000	Clip, drain hose
37	241611303	Trim-cabinet corner, black, (2)
38	297164300	Hinge-upper
40	297164401	Cover-upper hinge, black
41	240578902	Screw, hex head, 1/4-20 x 5/8
42	297108900	Shelf-sliding, w/brackets
42*	297107000	Bracket-shelf
47	297053300	Plate, baffle, snap fit
47A	297102703	Insert-pan cover, glass
50	08013207	Bracket-fan motor
63	216396900	Screw, leveling foot, plastic, adjustable
71A	297146800	Screw, 8-18AB x 0.470
72	297036901	Grille/Kickplate, 32", black
80	06594601	Bracket, control
93	5304460605	Screw, ph truss head, 8-18AB x 0.500
93A	216629601	Screw, hex washer head, 10-16 x 0.500, tapping
93B	216036601	Screw, RWHD, 8-32A x 0.500, GX-CA
131	297108300	Channel-shelf mtg, side, (2)
132	5304460601	Screw, 6-20AB x 3/8
148	297092501	Frame-crisper cover, shallow, lower

CABINET

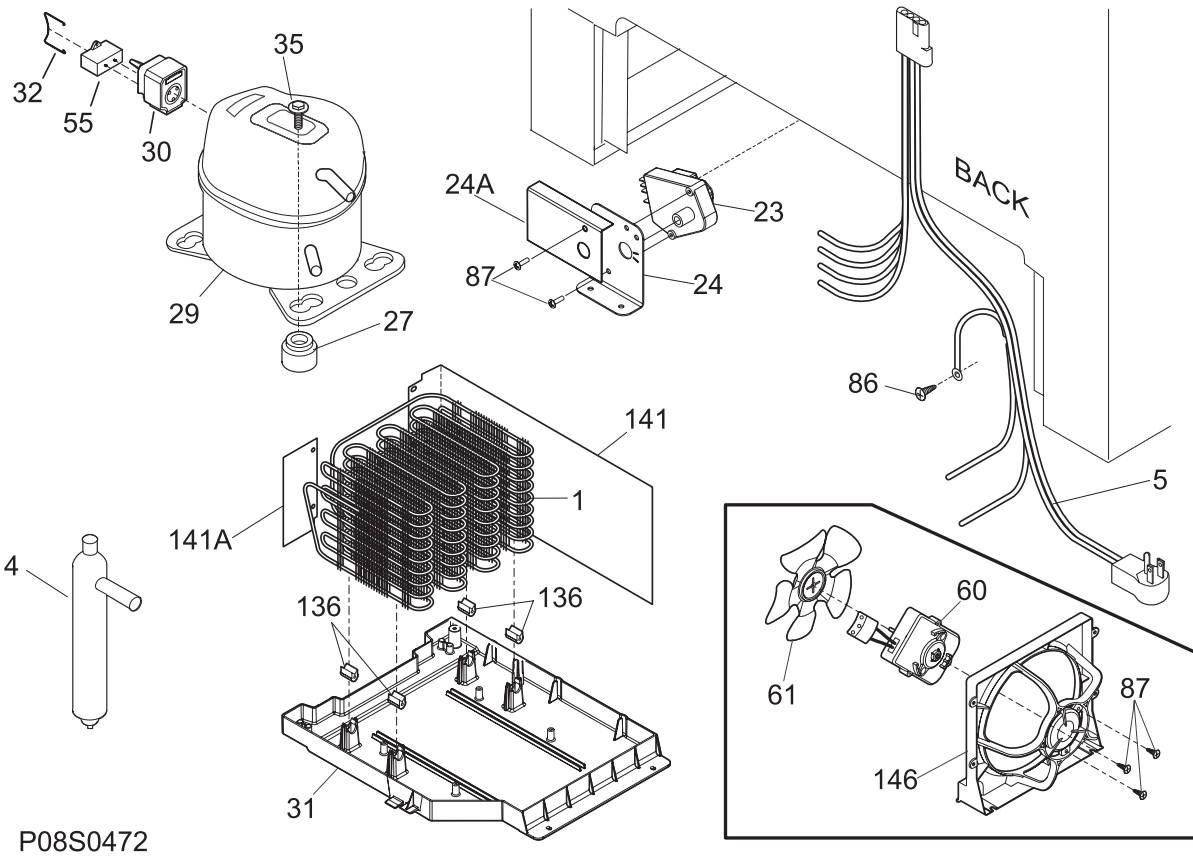
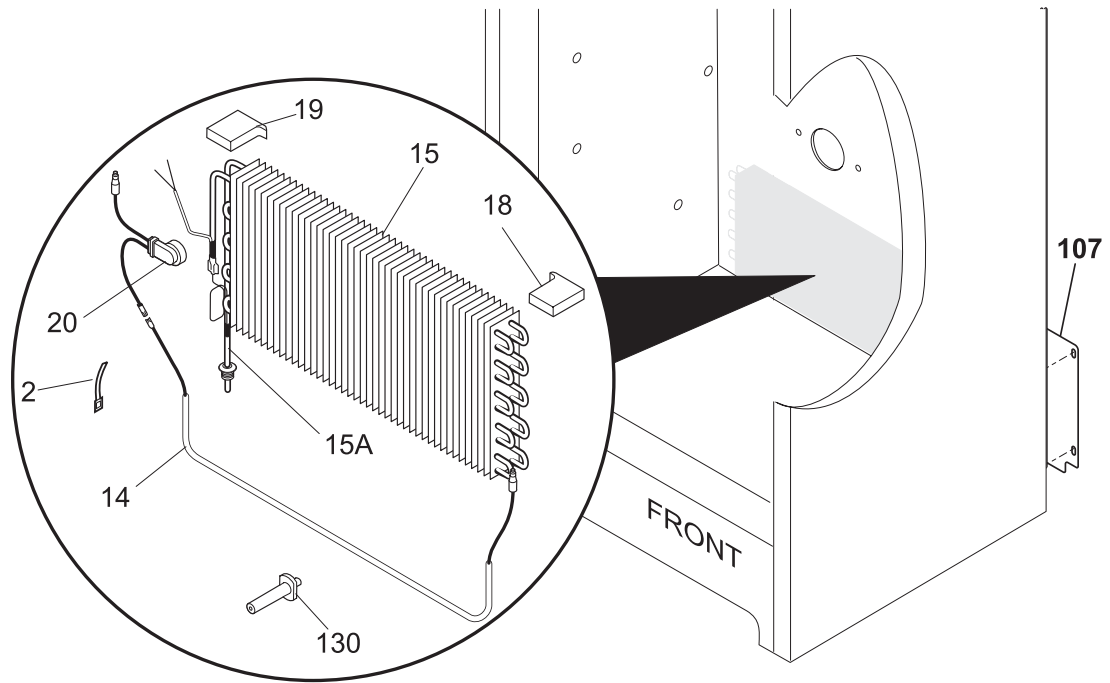


P08C1161

CABINET

POS. NO	PART NO.	DESCRIPTION
152	216974600	Bearing, hinge closer
154	297053000	Wire, jumper
155	5303313703	Clip, (2)
169	216912401	Screw, hex washer head, 8-32 x 0.500, bracket fan mtr, (2)
171	297092700	Bracket, crisper cover, RH
172	297092701	Bracket, crisper cover, LH
173	297107600	Slide, crisper, RH
174	297107601	Slide, crisper, LH
175	297099500	Support-crisper
*	216910408	Energy Guide
*	216901700	Installation Instructions, icemaker
*	297001704	Insulation, 24", drain tube
*	297013100	Instructions, water line

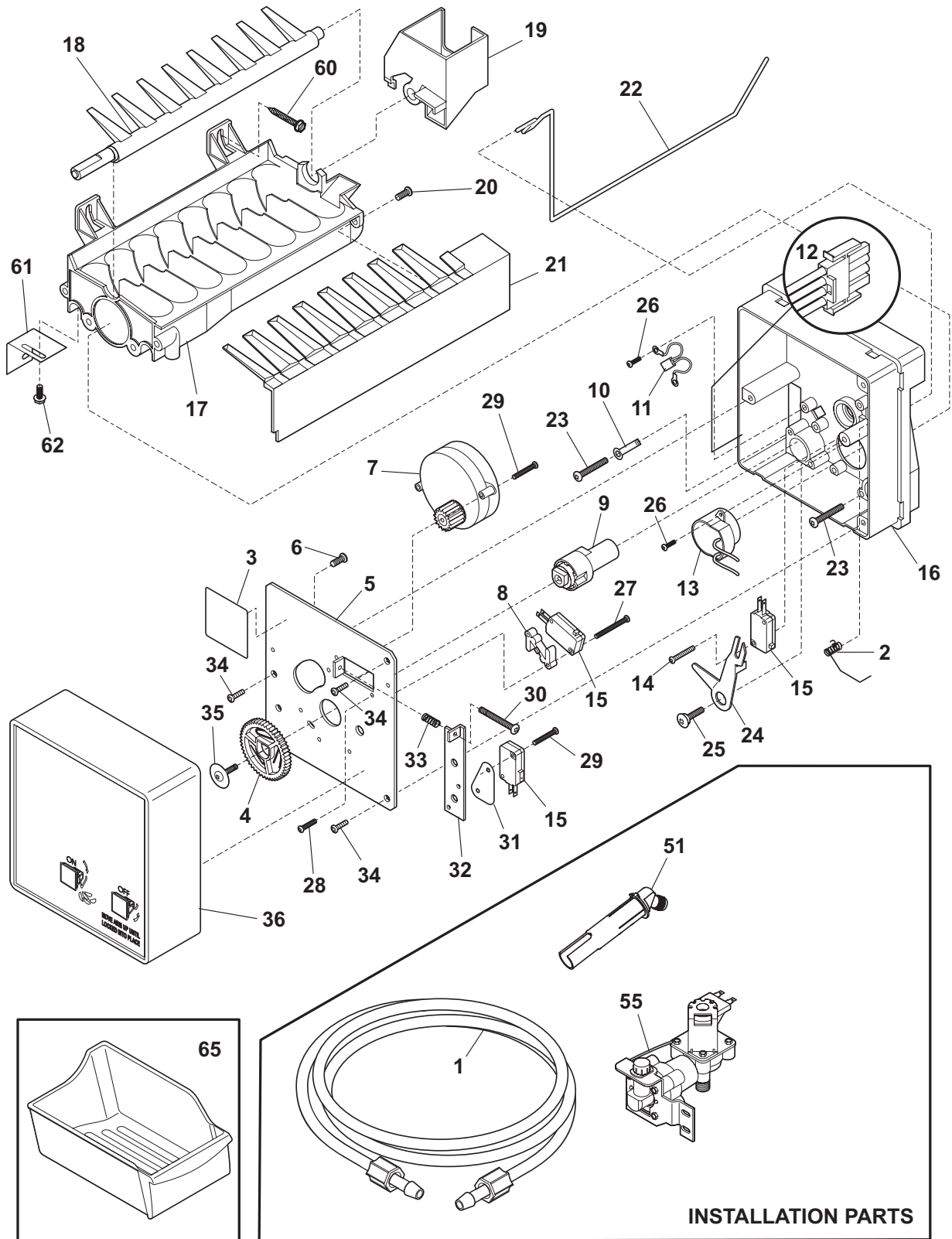
SYSTEM



SYSTEM

POS. NO	PART NO.	DESCRIPTION
1	297152201	Condenser
2	5308000110	Strap-evap/heater, aluminum, (2)
4	216987500	Drier-filter
5 #	297171700	Harness-main
14	297216100	Heater-defrost
15 #	216997300	Evaporator
15A#	297238700	Heat Exchanger
18	297078700	Insulator-evap, styrofoam
19	297078800	Insulator-evap, styrofoam
20	216872200	Thermostat, defrost
23 #	216744500	Timer-defrost
24	216968501	Bracket-timer
24A	297207900	Guard, timer
27	5308002681	Grommet, compressor
29 #	297237400	Compressor, w/o electricals
30	216954212	Controller, compressor
31	297165800	Pan-drain
32	216649200	Clip, controller
35	297177200	Bolt, compressor
55	216985002	Capacitor, run, 12 MF
60	241584301	Motor-condenser fan
61	241639501	Blade-condenser fan
86	216036601	Screw, RWHD, 8-32A x 0.500, GX-CA
87	5304463290	Screw, hi-lo blunt, #8-18X1/2
107	297165400	Shield, compressor, Compartment
*	5304460605	Screw, ph truss head, 8-18AB x 0.500
130	297244700	Support, evaporator mtg
136	240405201	Grommet, rubber, black, cond tube/wire
141	297164200	Divider, air flow
141A	297194700	Divider, small, air flow
146	297164000	Shroud-fan orifice
146*	216337701	Screw, HWH, 10-24 x 0.500, Swage
*	216502500	Sleeve, suction line
*	240555002	Screw-#8-32 X 3/8
*	297014500	Plug-suction line
*	297048400	Clip
*	297102800	Spacer-tube
* #	297169900	Cord-power, flat

ICE MAKER



P08ICE03

ICE MAKER

POS. NO	PART NO.	DESCRIPTION
1	297044900	Tube-water inlet, inlet valve, to ice maker
1*	240561701	Seal-water inlet, inlet valve, to ice maker
2	5304456650	Spring-shutoff arm, ice maker
3	5304456657	Nameplate
4	5304456658	Gear
5	5304456659	Plate-mounting
6	5304456691	Screw, M 3x20 #3, valve plate
7 #	5304445222	Motor-ice maker Svo
7*	5304445223	Spring Beam
8	5304456661	Spacer-hold switch
9	5304456662	Cam
10	5304456689	Washer, nylon
11 #	5304456663	Thermal Cutoff, ice maker, complete assy
12	5304456664	Harness-wiring
13	5304456665	Thermostat, ice maker
14	5304456676	Screw, plask, 4x14x3/4
15 #	5304456667	Switch-micro, (3)
16	5304456668	Support
17	5304456669	Mold-ice maker, w/therm cut off
18	5304456670	Ejector-ice
18*	240352602	Wiring Harness, internal, wiring harness
19	5304456671	Bearing & Inlet, fill cup
20	5304456677	Screw, 8-32 x 3/8
21	5304456672	Ice Stripper
22	5304456673	Shut-off Arm
23	5304456674	Screw, M 4x25 #2, mold-to-support, (2)
24	5304456675	Lever Arm
25	5304456676	Screw, M 4x12.8 #2, lever arm/sprt
26	5304456680	Screw, plask, 4-14 x 3/8
27	5304456677	Screw, M 3x25 #3, hold switch mtg, (2)
28	5304456660	Screw, M 4x6 #2
29	5304456678	Screw, M 3x12 #3, (2)
30	5304456679	Screw-timing adj, M 4x25 #3
31	5304456680	Insulator
32	5304456681	Plate-valve switch
33	5304456682	Spring, timing adjust
34	5304456683	Screw, M 4x12 #2, (3)
35	5304456684	Screw
36	5304456685	Cover-ice maker
36*	5304456690	Label, ID plate
51	216887500	Tube, water, ice maker
55 #	240519601	Valve-water, single solenoid, 60 Hz, 105/120 V
60	5304455852	Screw, hex washer head, 8-15A x 1.000
61	5304456686	Bracket-leveling, ice maker
62	5304456687	Screw-IM brkt mtg, pan hd phillips, 8-32T x 0.375
65	240385201	Container, ice bin
*	241642503	Ice Maker, radius cube, 115 V, Svce
*	241642601	Harness-wiring Svo
*	241806601	Connector-water, straight
*	5304456666	Screw, M 3x20 #2, (6)
*	5304456688	Terminal
*	5304456692	Washer
*	5304456693	Nut, M 3.5
*	5304456737	Washer
*	IM501	Ice Maker Kit