

Frigidaire

Factory Parts Catalog

Product No.	PLFU1778ES7
Series	Twins
Color	black-s/s
Volts	115
Wiring Diagram	297005601
Owner's Guide	297081400
Market	North America
Energy Guide	216795408

 **Electrolux**

Electrolux Major Appliances
North & Latin America
P.O. BOX 212378
AUGUSTA, GA 30917

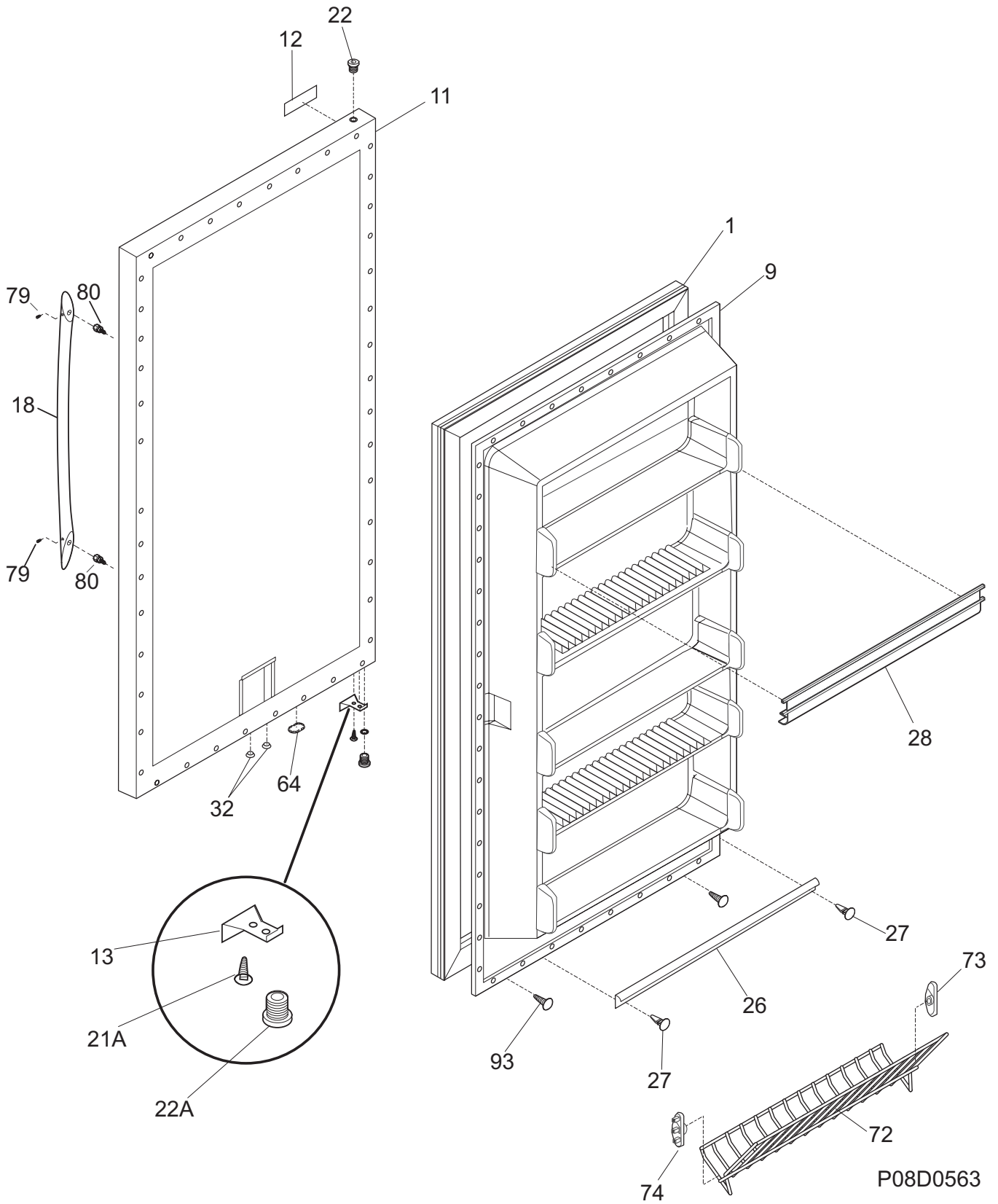
Publication No.
5995523577
08/09/08
(EN/SERVICE/MLR)
365

UPRIGHT FREEZER

Model No.
PLFU1778ES

Copyright © 2008 Electrolux Home Products, Inc.
All rights reserved.

DOOR

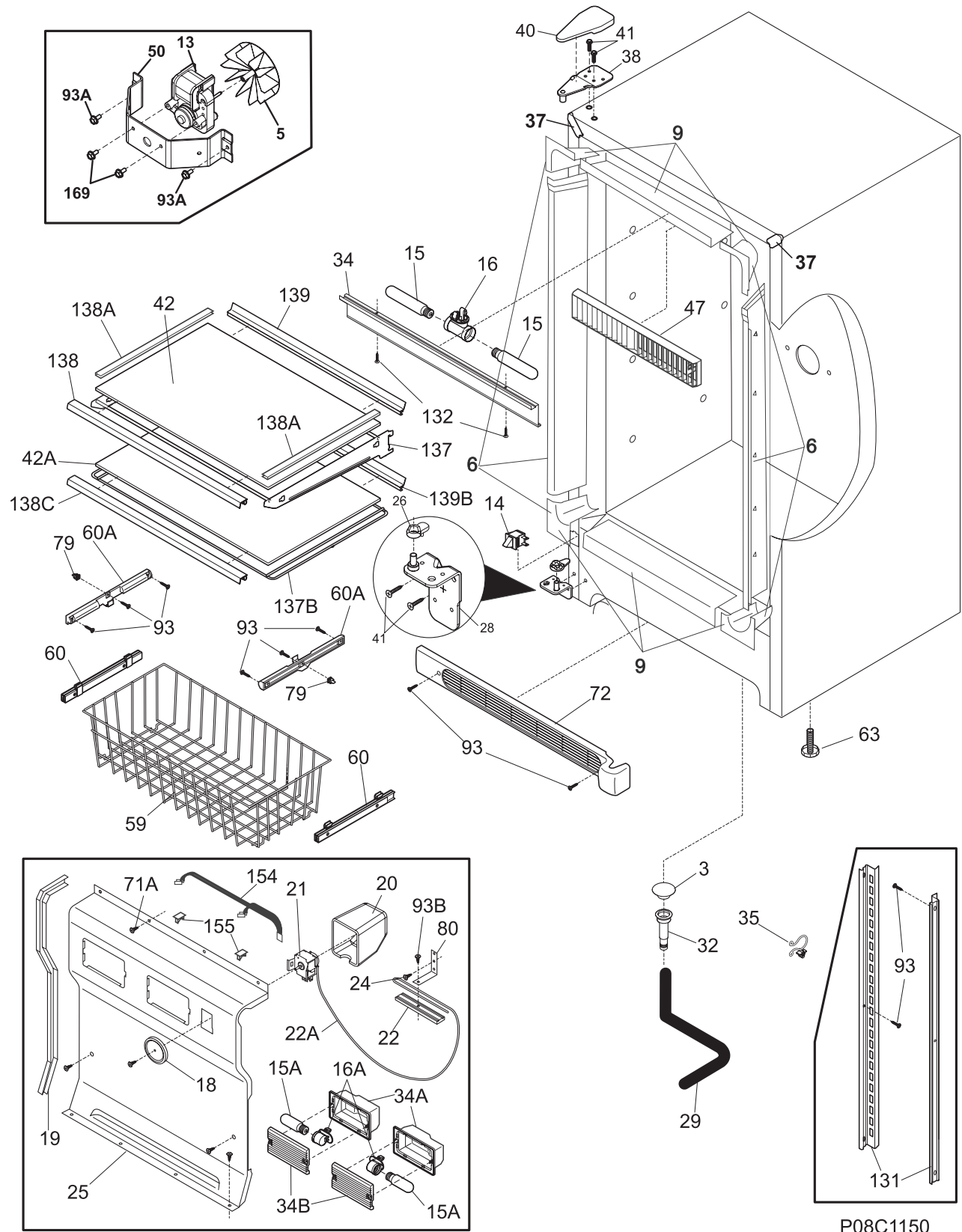


P08D0563

DOOR

POS. NO	PART NO.	DESCRIPTION
1	216522311	Gasket-door, black
9	216527813	Panel-inner door
11	297245225	Panel-outer door, stainless
12	240558802	Nameplate, door badge, stainless
13	297254101	Door Stop, LH
18	240536818	Handle-door, stainless steel, with insert, & set screw
*	240537301	Nut-anchor, door hdl screw
*	297048000	Screw, anchor, #8, white
21A	5304460608	Screw, flat head, #1/4-20, door stop/hng
22	216970800	Bearing, hinge w/o'ring, top
22A	297006800	Bearing-hinge, btm, w/o'ring
26	216524200	Gasket, secondary
27	5303212828	Clip, panel mtg
27*	5304406520	Clip, panel mtg kit, (40)
28	216806100	Rack-door, contour, (3)
32	5309950074	Valve, breather
64	216403700	Plug-button, hole filler, door base
72	297118100	Shelf, tilt out, wire
73	216513900	End Cap, shelf, LH, tilt-out
74	216514000	End Cap, shelf, RH, tilt-out
79	218755402	Screw-set, 10-32 x 0.375
80	218755504	Screw-shoulder, #10 AB, handle mounting
93	5304460605	Screw, ph truss head, 8-18AB x 0.500

CABINET

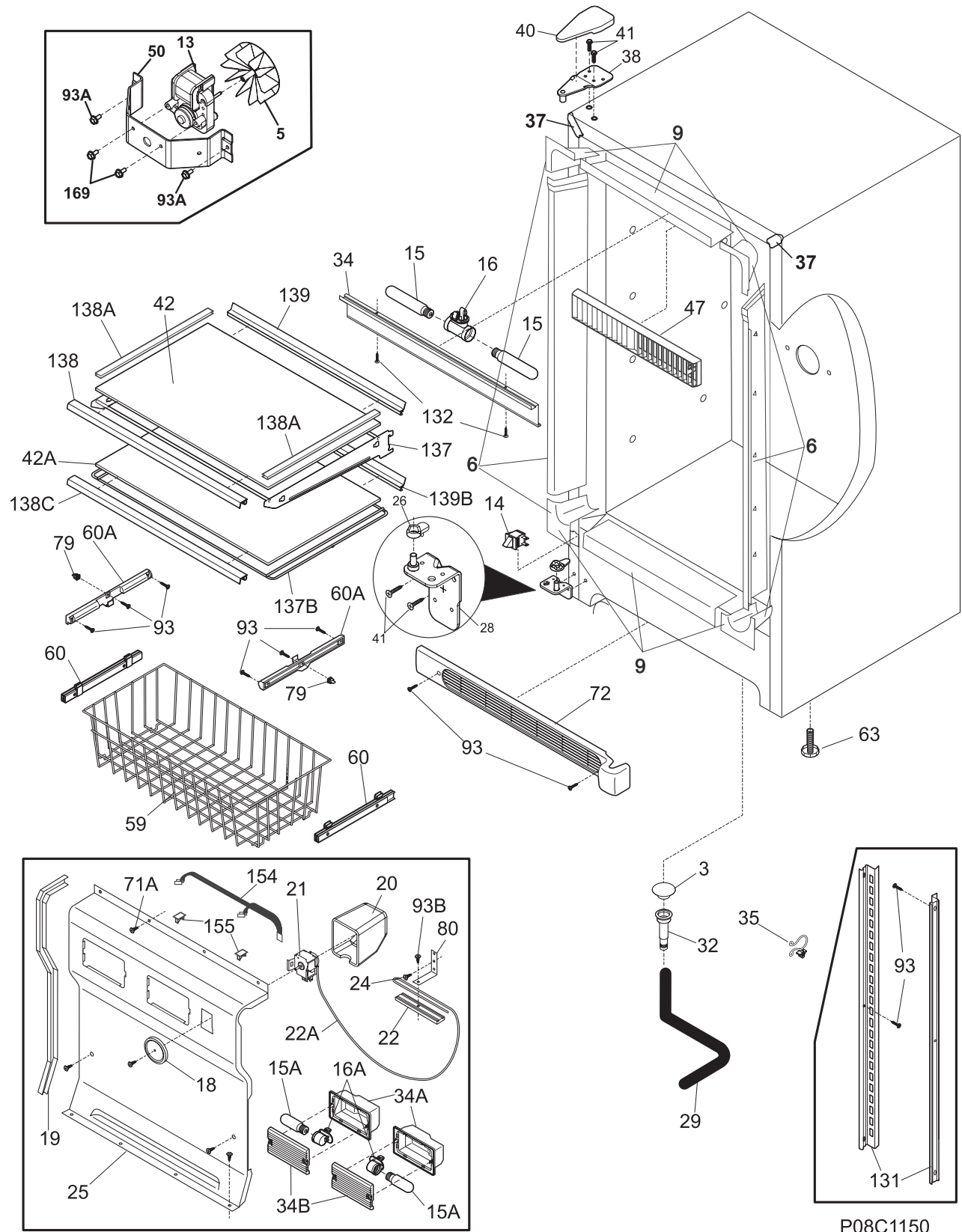


P08C1150

CABINET

POS. NO	PART NO.	DESCRIPTION
3	216503100	Screen-drain
5	297259600	Fan Blade, evaporator
6	297200600	Breaker Kit w/corners, no lock slot
9	297200100	Breaker Kit w/corners, 32", top and bottom
13 #	297250000	Motor, fan, 115 V
14	216998100	Switch, light/lamp, black, ramp
15	216988100	Light Bulb/Lamp, long, blue tint, 40 W, 120V
15A	297048600	Light Bulb/Lamp, short
16	241507803	Socket-light
16*	297109500	Washer, vinyl
16A	216817600	Socket, light/lamp, 25 W
18	216707200	Knob, temp control
19	216204902	Gasket-evap cover
20	216967200	Cover, temp control
21	216715200	Control-temperature
22	216823500	Clamp, cap tube, cold control
22A	5303916855	Tube, sensor sleeve, plastic, clear
24	5304460604	Screw, type A, 10-24 x 3/8
25	297099253	Cover-evaporator
26	297248200	Ramp, door closer, LH
28	297240801	Hinge-bottom, stepped pin, LH
29	216313501	Hose-drain
32	5308005500	Drain
34	216979500	Shield-light
34A	297053100	Shield-light
34B	297053200	Lens, light
35	216273000	Clip, drain hose
37	241611303	Trim-cabinet corner, black, (2)
38	297164300	Hinge-upper
40	297164401	Cover-upper hinge, black
41	240578902	Screw, hex head, 1/4-20 x 5/8
42	216983101	Glass-shelf, full shelf
42A	297007700	Glass-shelf, sliding
47	297053300	Plate, baffle, snap fit
50	08013207	Bracket-fan motor
59	297119000	Basket, (2)
60	297054200	Slide-basket, RH, (2), w/clips
60	297054201	Slide-basket, LH, (2), w/clips
60*	297049500	Clip-slide, basket
60A	297013500	Slide, shelf
63	216396900	Screw, leveling foot, plastic, adjustable
71A	297146800	Screw, 8-18AB x 0.470
72	297036901	Grille/Kickplate, 32", black
79	3017666	Nut-insert
80	06594601	Bracket, control
93	5304460605	Screw, ph truss head, 8-18AB x 0.500
93A	216629601	Screw, hex washer head, 10-16 x 0.500, tapping
93B	216036601	Screw, RWHD, 8-32A x 0.500, GX-CA
131	241513001	Channel-shelf mtg, side, (2)
132	5304460601	Screw, 6-20AB x 3/8
137	297050600	Frame-shelf, cantilever

CABINET

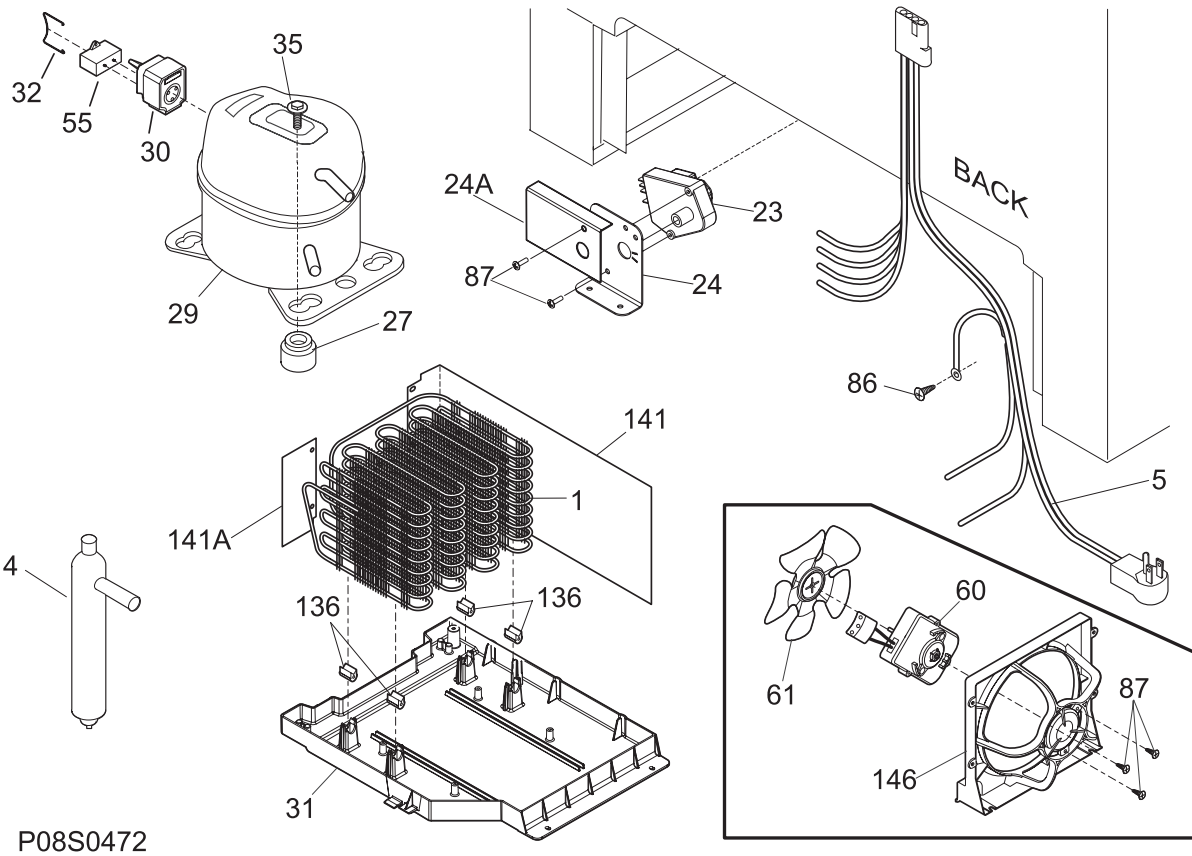
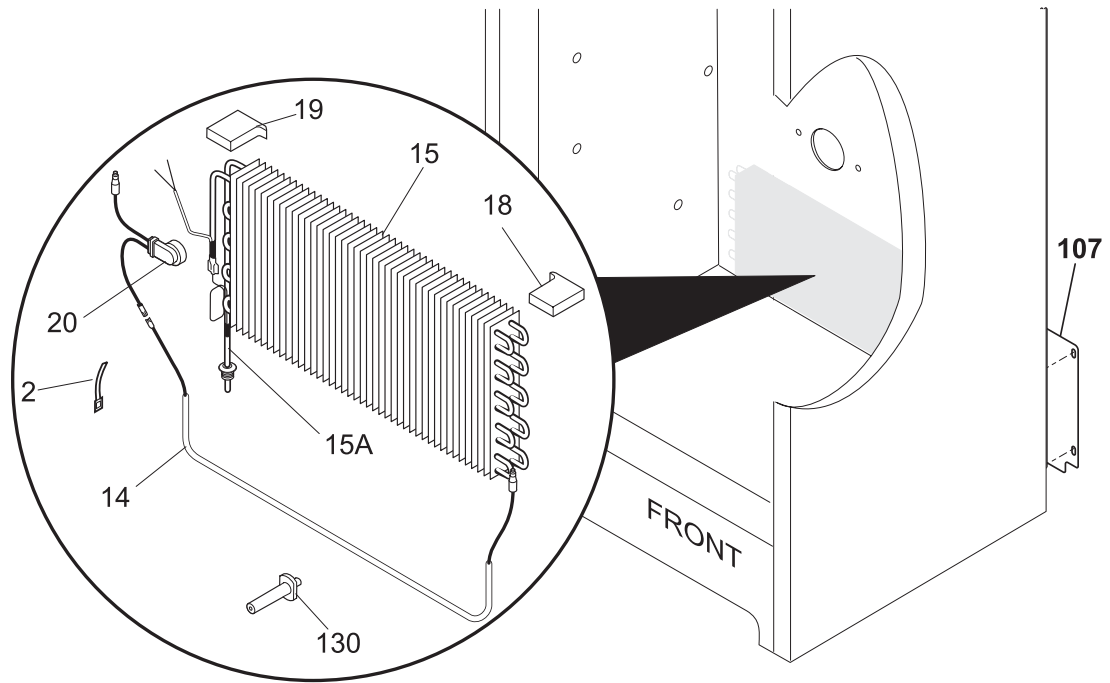


P08C1150

CABINET

POS. NO	PART NO.	DESCRIPTION
137B	297007600	Frame-shelf, sliding
138	297050700	Trim-shelf, front
138A	216983601	Trim-shelf, side
138C	297007800	Trim-shelf, front
139	297050800	Trim-shelf, rear
139B	297007900	Trim-shelf, rear
154	297053000	Wire, jumper
155	5303313703	Clip, (2)
169	216912401	Screw, hex washer head, 8-32 x 0.500, bracket fan mtr, (2)
*	216893800	Cover, external, ice maker, (2)
*	216795408	Energy Guide
*	241586701	Plug-foam-wtr-inlet, round
*	297001704	Insulation, 24", drain tube
*	297013100	Instructions, water line
*	297095300	Plug, white
*	216901700	Installation Instructions, icemaker
*	IM501	Ice Maker Kit

SYSTEM



SYSTEM

POS. NO	PART NO.	DESCRIPTION
1	297152201	Condenser
2	5308000110	Strap-evap/heater, aluminum, (2)
4	216987500	Drier-filter
5 #	297171700	Harness-main
14	216730700	Heater-defrost
15 #	216997300	Evaporator
15A	297217900	Heat Exchanger, suct/cap tube
18	297078700	Insulator-evap, styrofoam
19	297078800	Insulator-evap, styrofoam
20	216872200	Thermostat, defrost
23 #	216744500	Timer-defrost
24	216968501	Bracket-timer
24A	297207900	Guard, timer
27	5308002681	Grommet, compressor
29 #	5304465285	Compressor Kit
30	216954216	Controller, compressor
31	297165800	Pan-drain
32	216954300	Clip, controller
35	240491503	Screw-compressor mtg, 1/4-28 x 1.16, (4)
55	216985002	Capacitor, run, 12 MF
60	241584301	Motor-condenser fan
61	241639501	Blade-condenser fan
86	216036601	Screw, RWHD, 8-32A x 0.500, GX-CA
87	5304463290	Screw, hi-lo blunt, #8-18X1/2
107	297165400	Shield, compressor, Compartment
*	5304460605	Screw, ph truss head, 8-18AB x 0.500
130	297244700	Support, evaporator mtg
136	240405201	Grommet, rubber, black, cond tube/wire
141	297164200	Divider, air flow
141A	297194700	Divider, small, air flow
146	297164000	Shroud-fan orifice
146*	216337701	Screw, HWH, 10-24 x 0.500, Swage
*	216502500	Sleeve, suction line
*	240555002	Screw-#8-32 X 3/8
*	297014500	Plug-suction line
*	297048400	Clip
*	297102800	Spacer-tube
* #	297169900	Cord-power, flat