

# Freestanding Ranges

CFEF3046LS

30" Electric



## Signature Features

### Ready-Select® Controls

Select options or control cooking temperature with our easy-to-use controls.

### Large Capacity

Our large capacity oven gives you room to cook more at once.

### One-Touch Self Clean

Start the self-cleaning cycle with just the touch of a button.

### Even Baking Technology

Our latest technology ensures even baking every time.

## Product Dimensions

Height	47"
Width	29-7/8"
Depth	28-1/2"

## More Easy-To-Use Features

### Store-More™ Storage Drawer

Our convenient drawer gives you extra storage space in your kitchen.

### Quick Clean

For a quick, light oven cleaning.

### Extra-Large Window

Our extra-large oven window lets you easily see what's inside.

### Delay Start Baking Option

Can be programmed from 1 to 24 hours.

### Delay Clean

Set the oven to begin cleaning on your schedule.

### Hi/Lo Broil Option

Offers two-position broiling and variable temperature control for more control.

### Auto Shut-Off

As an extra safety measure, the oven will automatically shut off after 12 hours.

### Timed Cook Option

### Bright Lighting

Our bright lighting makes it easy to see what's inside.

### Attractive Stainless Steel Exterior<sup>1</sup>

Available in:

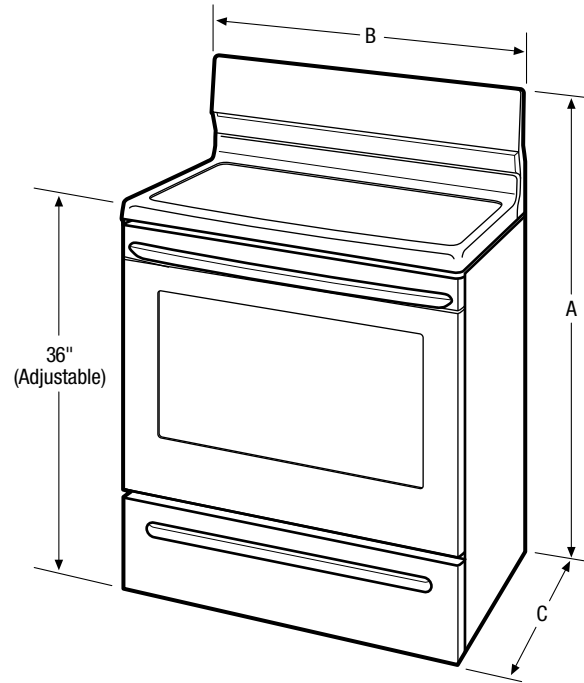


Stainless  
(S)

Elements	Size	Watts
Right Front	6"	1,500
Right Rear	6"	1,500
Left Front	8"	2,600
Left Rear	8"	2,600

<sup>1</sup>Select model only.

<b>Features</b>	
Oven Control/Timing System	Ready-Select® Controls
Surface Type	Black Porcelain
Window	Extra-Large
Exterior Door Finish	Stainless Steel
Handle Design	Stainless Steel
Exterior Finish	Black
Convection System	
Cleaning System	Self Clean
Drawer Functionality	Storage
<b>Oven Controls</b>	
Bake	Yes
Broil	Low and High
Add-a-Minute	
Delay Bake	Yes
Self-Clean	Yes
Quick Clean Option	Yes
Delay Clean	Yes
Kitchen Timer	Yes
Timed Cook Option	Yes
Auto Oven Shutoff	12 Hours
<b>Cooktop Features</b>	
Right Front Coil Element (Watts)	6" - 1,500
Right Rear Coil Element (Watts)	6" - 1,500
Left Front Coil Element (Watts)	8" - 2,600
Left Rear Coil Element (Watts)	8" - 2,600
Center Element (Watts)	
Drip Bowls	Colour-Coordinated Porcelain
Hot Surface Indicator Light	
<b>Oven Features</b>	
Capacity (Cu. Ft.)	5.3
Oven Light	Yes
Hidden Bake Element	
Rack Configuration	2 Standard
Even Baking System	Yes
Broiling System	Vari-Broil™ Hi/Lo
Bake Element/Broil Element (Watts)	2,600/3,000
<b>Specifications</b>	
Oven Interior (H x W x D)	21" x 24-3/8" x 19-1/8"
Power Supply Connection Location	Centerline Lower Rear
Voltage Rating	240V/208V
Connected Load (kW Rating) @ 240/208 Volts	11.5/ 8.5
Minimum Circuit Required (Amps)	40
Shipping Weight (Approx.)	138 Lbs.



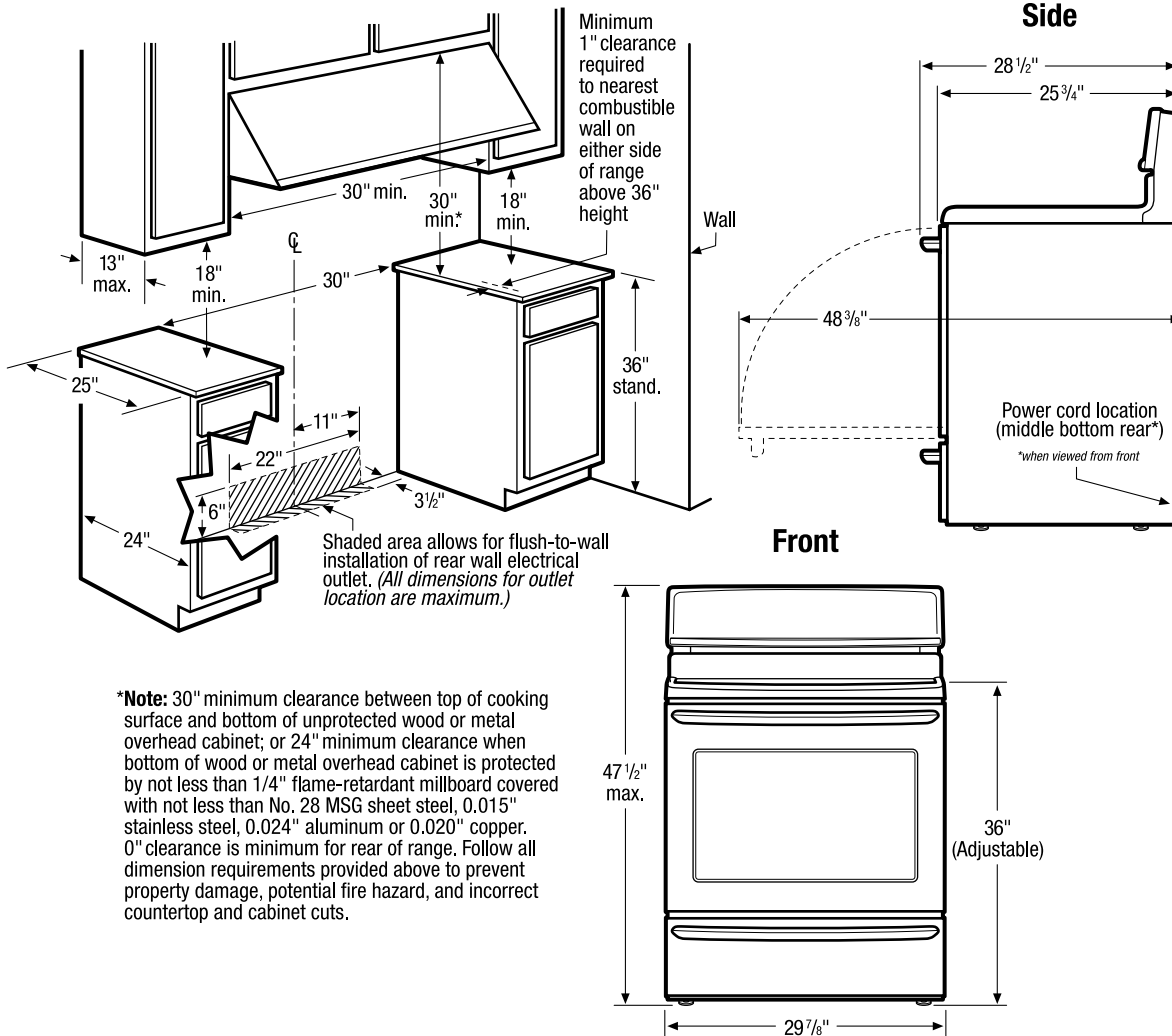
NOTE: Always consult local and national electric codes. Refer to Product Installation Guide for detailed installation instructions on the web at [frigidaire.ca](http://frigidaire.ca).



Product Dimensions	
A - Height	47"
B - Width	29-7/8"
C - Depth	28-1/2"
Depth with Door Open 90°	48-3/8"

Cutout Dimensions	
Height	36"
Width	30"
Depth	24"

Accessories information available on the web at [frigidaire.ca](http://frigidaire.ca)



**Freestanding Range Specifications**

- Product Shipping Weight (approx.) - 138 Lbs.
- Single phase 3- or 4-wire cable, 120/240 or 120/208 Volt, 60 Hertz, fused on both sides of line with ground.
- Connected Load (kW Rating) @ 240/208 Volts = 11.5/8.5 kW
- Recommended Circuit Breaker - 40 Amps
- Always consult local and national electric codes.
- Make sure wall coverings around range can withstand heat generated by range.
- Linoleum or any other synthetic floor covering located beneath range, must be capable of withstanding minimum heat of 90°F above room temperature without shrinking, warping or discolouring. Insulating pad or 1/4"-thick plywood required between range and a carpeted floor.
- Floor beneath range MUST be solid and level.
- Overhead cabinetry should not exceed a 13" maximum depth.
- Absolute minimum horizontal distance between overhead cabinets installed to either side of appliance must be no less than maximum width of appliance.

- Range can be installed flush to wall with 0" minimum rear clearance.
- Minimum 1" clearance required from edge of rangetop to nearest combustible wall on either side of range above 36" height.
- Allow 30" minimum clearance between top of cooking surface and bottom of unprotected wood or metal overhead cabinet; or 24" minimum clearance when bottom of wood or metal overhead cabinet is protected by not less than 1/4" flame retardant millboard covered with not less than No. 28 MSG sheet steel, 0.015" stainless steel, 0.024" aluminum or 0.020" copper.
- To reduce risk of fire when using overhead cabinetry, install range hood that projects horizontally a recommended minimum of 5" beyond bottom of cabinets.
- Follow all dimension requirements provided to prevent property damage, potential fire hazard, and incorrect countertop and cabinet cuts.

**Note:** For planning purposes only. Refer to Product Installation Guide on the web at [frigidaire.ca](http://frigidaire.ca) for detailed instructions.

