

SERVICE DATA SHEET

Electric Range with ES 540 Electronic Oven Control

NOTICE - This service data sheet is intended for use by persons having electrical and mechanical training and a level of knowledge of these subjects generally considered acceptable in the appliance repair trade. The manufacturer cannot be responsible, nor assume any liability for injury or damage of any kind arising from the use of this data sheet.

SAFE SERVICING PRACTICES

To avoid the possibility of personal injury and/or property damage, it is important that safe servicing practices be observed. The following are examples, but without limitation, of such practices.

1. Before servicing or moving an appliance remove power cord from electrical outlet, trip circuit breaker to OFF, or remove fuse.
2. Never interfere with the proper installation of any safety device.
3. **GROUNDING:** The standard color coding for safety ground wires is **GREEN** or **GREEN WITH YELLOW STRIPES**. Ground leads are not to be used as current carrying conductors. **It is extremely important that the service technician reestablish all safety grounds prior to completion of service. Failure to do so will create a potential safety hazard.**
4. Prior to returning the product to service, ensure that:
 - All electric connections are correct and secure.
 - All electrical leads are properly dressed and secured away from sharp edges, high-temperature components, and moving parts.
 - All uninsulated electrical terminals, connectors, heaters, etc. are adequately spaced away from all metal parts and panels.
 - All safety grounds (both internal and external) are correctly and securely reassembled.

Oven Calibration

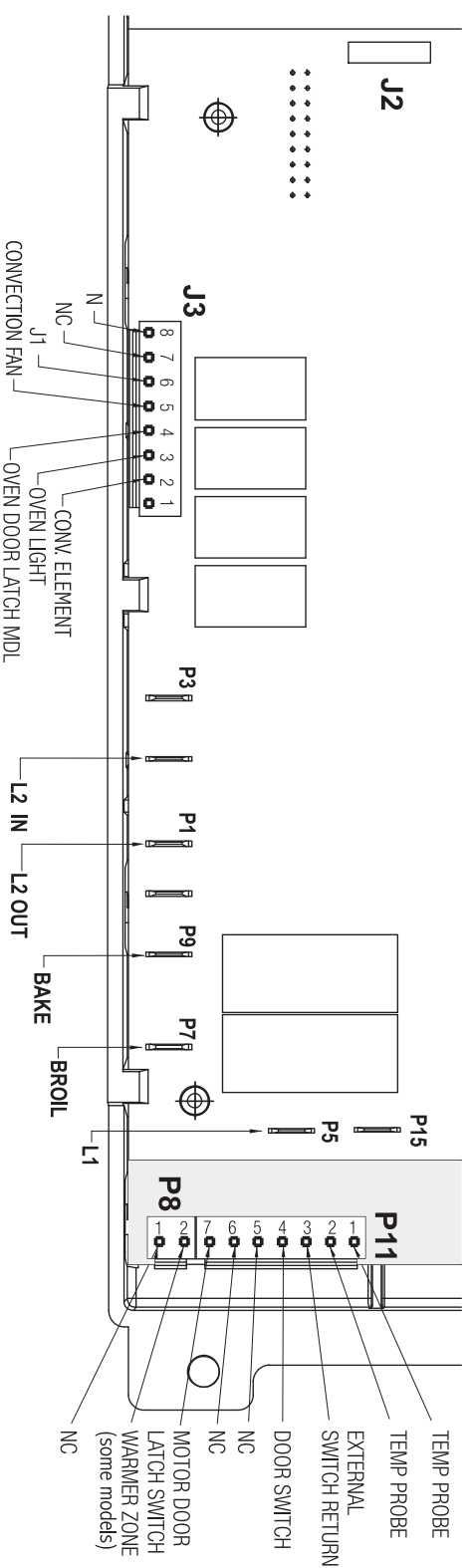
Set the electronic oven control for normal baking at 350°F. Obtain an average oven temperature after a minimum of 5 cycles. Press **stop/clear/cancel** keypad to end bake mode.

Temperature Adjustment

1. While in a non-cooking mode, press and hold the **bake** key pad for 6 seconds.
2. The current calibration offset (temperature adjustment) should appear in the temperature display.
3. Use the number key pads (0-9) to enter the desired amount of adjustment (up to 35°F).
4. Press **self clean** keypad to change the sign of the adjustment to a (-) if necessary. A positive adjustment will not display a sign.
5. Once the desired adjustment (-35° to 35° F) has been entered, press the **start** keypad to accept the change or the **stop/clear/cancel** keypad to reject the change.

Note: Changing calibration affects all Baking modes. The adjustments made will not change the self-cleaning temperature.

Electronic Oven Control & Jumper Connections (EOC Rear View)



IMPORTANT

DO NOT REMOVE THIS BAG

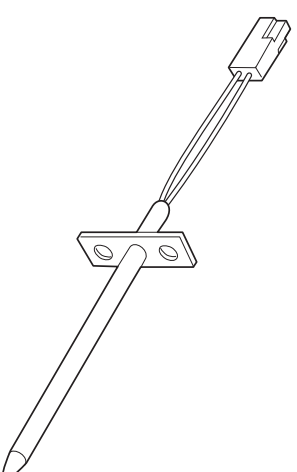
OR DESTROY THE CONTENTS

WIRING DIAGRAMS AND SERVICE
INFORMATION ENCLOSED

REPLACE CONTENTS IN BAG

p/n 316905247 (1111) En

Resistance Temperature Detector (RTD)



Resistance Temperature Detector Scale

RTD SCALE		Resistance (ohms)
Temperature °F (°C)		
32 ± 1.9 (0 ± 16.7)		1000 ± 4.0
75 ± 2.5 (24 ± 16.4)		1091 ± 5.3
250 ± 4.4 (121 ± 15.3)		1453 ± 8.9
350 ± 5.4 (177 ± 14.8)		1654 ± 10.8
450 ± 6.9 (232 ± 13.9)		1852 ± 13.5
550 ± 8.2 (288 ± 13.2)		2047 ± 15.8
650 ± 9.6 (343 ± 12.4)		2237 ± 18.5
900 ± 13.6 (482 ± 10.2)		2697 ± 24.4
Probe circuit to case ground	Open circuit/infinite resistance	

Electronic Oven Control Fault Code Descriptions

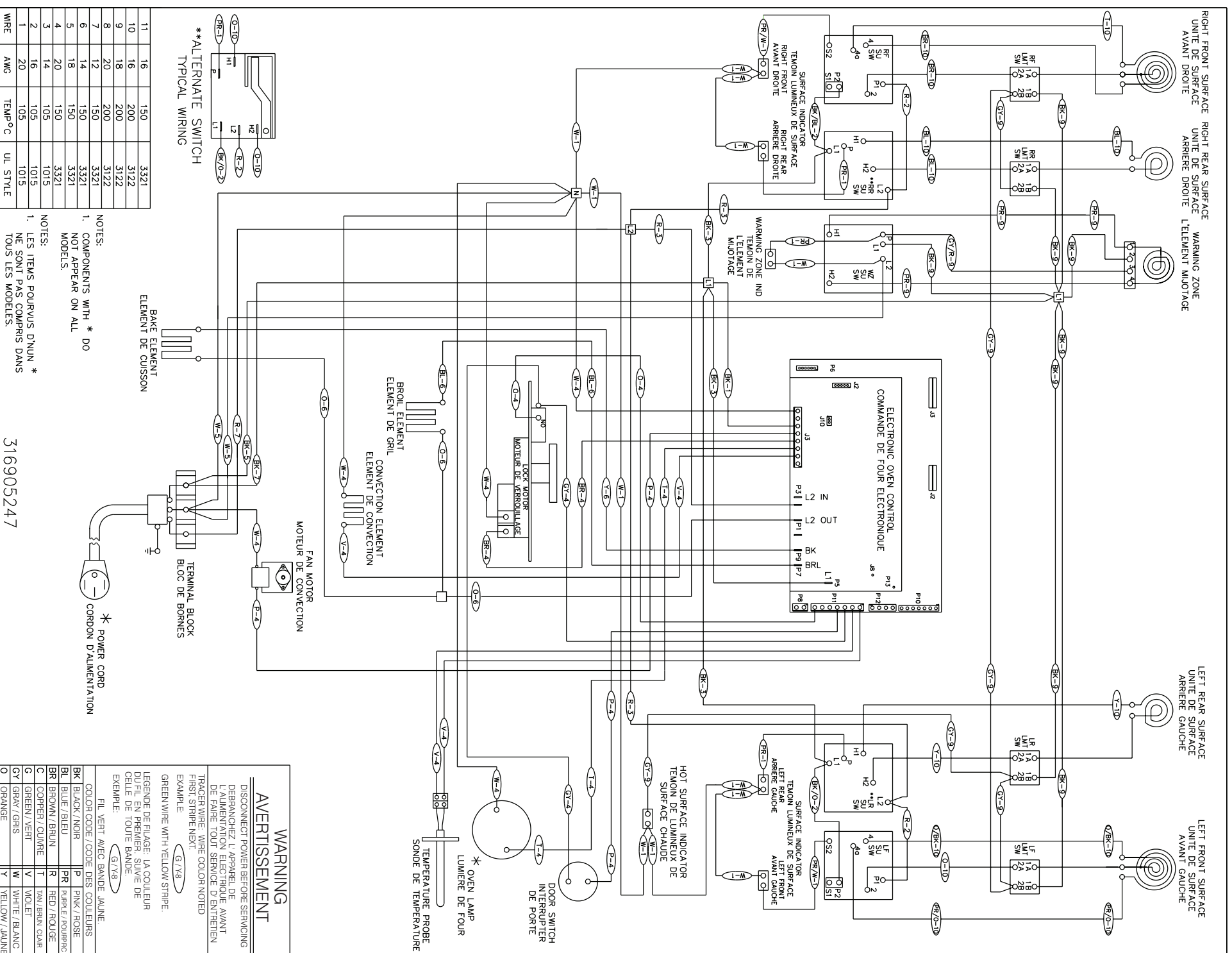
Fault Code	Likely failure condition/cause	Suggested Corrective Action
F10	Runaway temperature. Oven heats when no cook cycle is programmed.	<p>If Oven is cold:</p> <ol style="list-style-type: none"> 1. If fault code is present with cold oven test oven temperature sensor probe circuit resistance. Use RTD scale found in the tech sheet. 2. Replace probe or repair wiring connections if defective. 3. If temperature sensor probe circuit is good but fault code remains when oven is cold replace the EOC. <p>If Oven is overheating:</p> <ol style="list-style-type: none"> 1. If oven is severely overheating/heating when no cook cycle is programmed test oven temperature sensor probe circuit resistance using the RED scale found in the service tech sheet. Also verify that the temperature sensor probe is properly installed in the oven cavity. 2. Disconnect power from the range, wait 30 seconds and reapply power. If oven continues to heat when the power is reapplied, replace the EOC. NOTE: Severe overheating may require the entire oven to be replaced should damage be extensive.
F11	Shorted keypad or selector switch.	<ol style="list-style-type: none"> 1. Reset power supply to range - Disconnect power, wait 30 seconds and reapply power. 2. Check/reset ribbon harness connections between touch panel and EOC. 3. Test keyboard circuits. Replace touch panel if defective. 4. If keyboard circuits check good replace the EOC.
F12	EOC Internal software error	Disconnect power, wait 30 seconds and reapply power. If fault returns upon power-up, replace EOC.
F13	EOC or failure.	
F30	Open oven sensor probe circuit.	<ol style="list-style-type: none"> 1. (F30) Check resistance at room temperature & compare to RTD Sensor resistance chart. If resistance is correct replace the EOC. If resistance does not match the RTD chart replace RTD Sensor Probe. Check Sensor wiring harness between EOC & Sensor Probe connector. 2. (F31) Check resistance at room temperature. If less than 500 ohms, replace RTD Sensor Probe. Check for shorted Sensor Probe harness between EOC & Probe connector. If resistance is correct replace the EOC.
F31	Shorted oven sensor probe circuit.	<p>If lock motor runs:</p> <ol style="list-style-type: none"> 1. Test continuity of wiring between EOC and lock switch on lock motor assy. Repair if needed. 2. Advance motor until cam depresses the plunger on lock motor switch. Test continuity of switch contacts. If switch is open replace lock motor assembly. 3. If motor runs and switch contacts and wiring harness test good, replace the EOC. <p>If lock motor does not run:</p> <ol style="list-style-type: none"> 1. Test continuity of lock motor windings. Replace lock motor assembly if windings are open. 2. Test lock motor operation by using a test cord to apply voltage. If motor does not operate replace lock motor assy. 3. If motor runs with test cord check continuity of wire harness to lock motor terminals. If harness is good replace the EOC.
F90	Door lock motor or latch circuit failure.	
F91		
F92		
F93		
F94		
F95		

Circuit Analysis Matrix

	EOC Relays				Door Switch COM-NO	Warmer Drawer MDL (some models)
	L1 to Bake	L1 to Broil	L1 to Motor Door Latch	L1 to Conv/Speed Bake Fan (some models)		
Baker/Time Bake	X	X*				X
Conv/Speed Bake	X	X*		X		X
Broil		X				X
Clean		X				
Unlocked						X
Locked			X			X
Unlocked					X	
Door Open						X
Door Closed					X	
Cooktop Active						

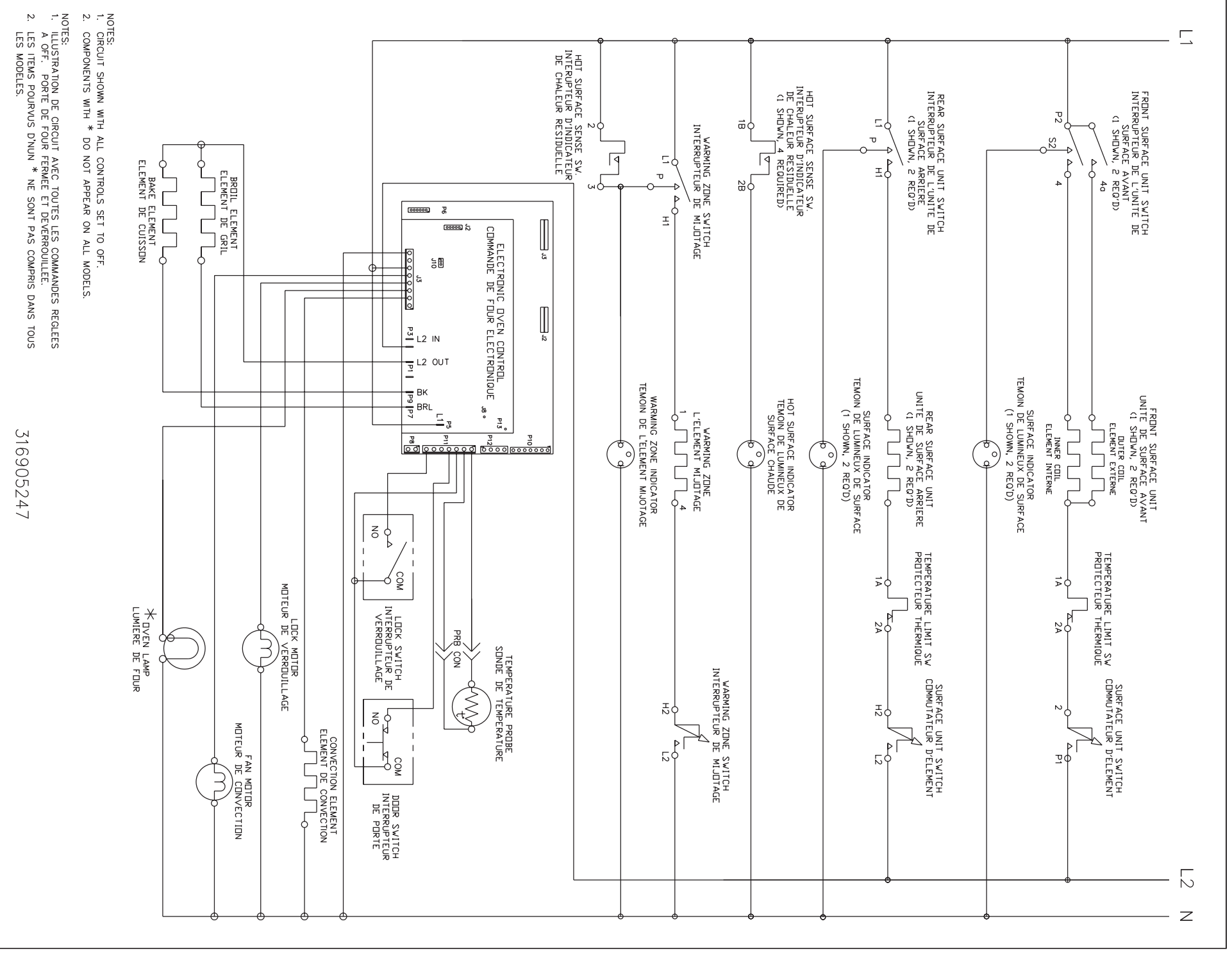
Note: X=Check listed circuits. *=Alternates with Bake element.

General Troubleshooting Diagram



316905247

General Troubleshooting Schematic



316905247

WARNING

AVERTISSEMENT

DISCONNECT POWER BEFORE SERVICING
 DEBRANCHER L'APPAREIL DE L'ALIMENTATION ELECTRIQUE AVANT DE FAIRE TOUT SERVICE D'ENTRETIEN

TRACER WIRE: WIRE COLOR/NOIED
 EXAMPLE: G/YX8

LEGENDE DE FILAGE: LA COULEUR DU FIL EN PREMIER, SUIVE DE L'ETIQUETTE DE TOUTE BANDE

EXEMPLE: G/YX8

FIL VERT AVEC BANDE JAUNE

DISCONNECT POWER BEFORE SERVICING	DEBRANCHER L'APPAREIL DE L'ALIMENTATION ELECTRIQUE AVANT DE FAIRE TOUT SERVICE D'ENTRETIEN
BLACK/NOIR	PINK/ROSE
BLUE/BLEU	BROWN/ROUGE
BROWN/BRUN	RED/ROUGE
COPPER/COUVRE	TAN/BRAN CLAIR
GREEN/VERT	W/OLET
GRAY/GRIS	WHITE/BLANC
ORANGE	YELLOW/JAUNE