



## Slide-In Ranges

CGES3065P F/W

30" Electric



### Signature Features



#### Quick Preheat

Preheat in just a few minutes.<sup>1</sup>



#### True Convection

Single convection fan circulates hot air throughout the oven for faster and more even multi-rack baking.



#### Quick Boil

Get meals on the table faster with quick boil — water boils faster than the traditional setting.



#### Smudge-Proof™ Stainless Steel<sup>2</sup>

Reduces fingerprints and smudges so it's easy to clean.

### Product Dimensions

Height (Max.)	36-5/8"
Width	30"
Depth	28-5/16"

### More Easy-To-Use Features

#### Steam Cleaning

A light oven cleaning that's chemical-free, odour-free, and fast.

#### Fits-More™ Cooktop with SpaceWise® Expandable Elements

The cooktop features five elements including two SpaceWise® Expandable elements and a Warming Zone so you can cook more at once.

#### Effortless™ Temperature Probe with Auto Keep Warm

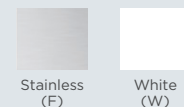
The Effortless™ Temperature Probe allows you to set the desired finished temperature and alerts you when that temperature has been reached. The oven then holds the desired temperature of the meat by switching to a keep warm function for better cooking results.

#### Effortless™ Convection

Takes the guesswork out of convection cooking — our oven automatically adjust standard baking temperatures to convection temperatures for consistent results.

Sabbath Mode (Star-K® Certified)

#### Available in:



Stainless (F)

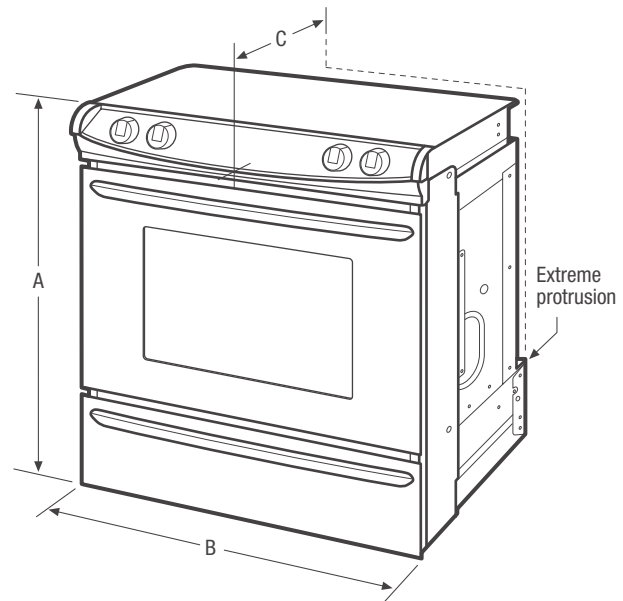
White (W)

Elements	Size	Watts
Right Front	9" / 12"	1,800 / 3,200
Right Rear	6"	1,200
Left Front	6" / 9"	1,400 / 3,000
Left Rear	6"	1,200
Centre	Keep Warm Zone	100

<sup>1</sup>Based on single rack cooking performance, not set temperature, using Quick Preheat.

<sup>2</sup>Select model only.

<b>Features</b>	
Oven Control/Timing System	Express-Select*
Surface Type	Black Ceramic Glass (F) Colour-C. Ceramic Gl. (W)
Window	Extra-Large
Exterior Door Finish	Smudge-Proof™ Stainless Steel (F), Colour-Coord. (W)
Handle Design	Stainless Steel (F), Colour-Coordinated (W)
Exterior Finish (Side Panels)	Black (F), Colour-C. (W)
Convection System	True Convection
Oven Cleaning System	Self-Clean
Drawer Functionality	Storage
<b>Oven Controls</b>	
Bake/Broil	Yes/Variable (400 - 550 °F)
Effortless™ Convection Conversion	Yes
Convection Bake/Broil/Roast	Yes/Yes/Yes
Quick Preheat	Yes
My Favourite	
Slow Cook	
Effortless™ Temperature Probe	Yes
Chicken Nugget Button	
Pizza Button	
Keep Warm	Yes
Add-a-Minute	
Delay Start	Yes
Self-Clean/Clean Options	Yes/2, 3, 4 Hours
Steam Clean	Yes
Delay Clean	2, 3, 4 Hours
Kitchen Timer/Timed Cook Option	Yes/Yes
Auto Oven Shut-Off	6 Hours
Lower Drawer Control	
<b>Cooktop Features</b>	
Right Front Element (Watts)	SpaceWise® Expandable 9"/12" - 1,800/3,200
Right Rear Element (Watts)	6" - 1,200
Left Front Element (Watts)	SpaceWise® Expandable 6"/9" - 1,400/3,000
Left Rear Element (Watts)	6" - 1,200
Centre Element (Watts)	Keep Warm Zone - 100
Hot Surface Indicator Lights	Yes
<b>Oven Features</b>	
Capacity (Cu.Ft.)	4.6
Oven Light	2
Hidden Bake Element	Yes
Rack Configuration	1 Heavy Duty, 1 Offset, 1 Effortless™
Baking System	Even Baking Technology
Broiling System	Vari-Broil™
Bake Element/Broil Element/ Convection Element (Watts)	2,500/3,400/2,500
Drawer Rack	
<b>Certifications</b>	
Sabbath Mode (Star-K® Certified)	Yes
<b>Specifications</b>	
Oven Interior (H x W x D)	17-1/2" x 24-1/8" x 18-3/4"
Power Supply Connection Location	Left Bottom Rear
Voltage Rating	240V/208V/60Hz
Connected Load (kW Rating) @ 240/208 Volts¹	12.6/9.5 kW
Amps @ 240/208 Volts	52.5/45.7
Minimum Circuit Required (Amps)	40
Shipping Weight (Approx.)	240 Lbs.



NOTE: For planning purposes only. Always consult local and national electric codes. Refer to Product Installation Guide for detailed installation instructions on the web at [frigidaire.ca](http://frigidaire.ca).



Product Dimensions		Cutout Dimensions	
A - Height (Max./Max.)	35-3/4" / 36-5/8"	Height (Min./Max.)	35-7/8" / 36-5/8"
B - Width	30"	Width (Min./Max.)*	29-15/16" / 30-1/16"
C - Depth	28-5/16"	Depth (Min./Max.)*	21-3/4" / 22-1/8"
Depth with Door Open 90°	47-9/16"		

\*Cutout and countertop cutout width should match.  
\*\*24" with optional backguard installed.

¹Single phase 3- or 4-wire cable, 120/240 or 120/208 Volt, 60 Hertz AC only electrical supply with ground required on separate circuit fused on both sides of line.

Accessories information available on the web at [frigidaire.ca](http://frigidaire.ca)