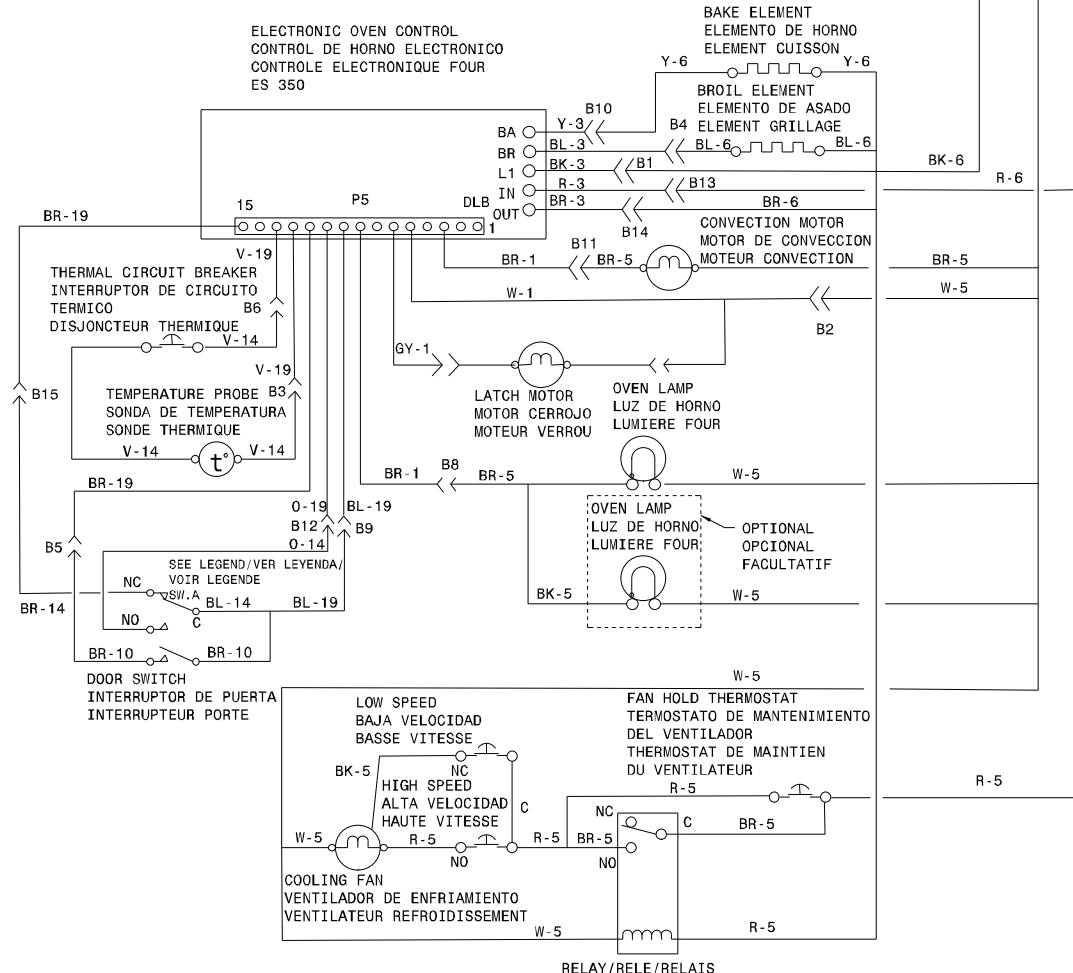


TERMINAL BLOCK
BLOQUE DE CONEXION
BLOC DE CONNECTION

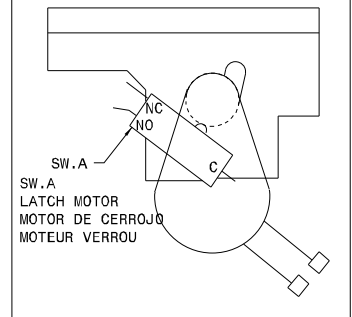
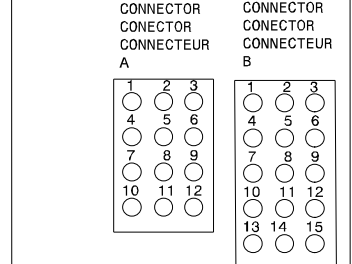
OVEN CIRCUIT//CIRCUITO DE HORNO//CIRCUIT FOUR



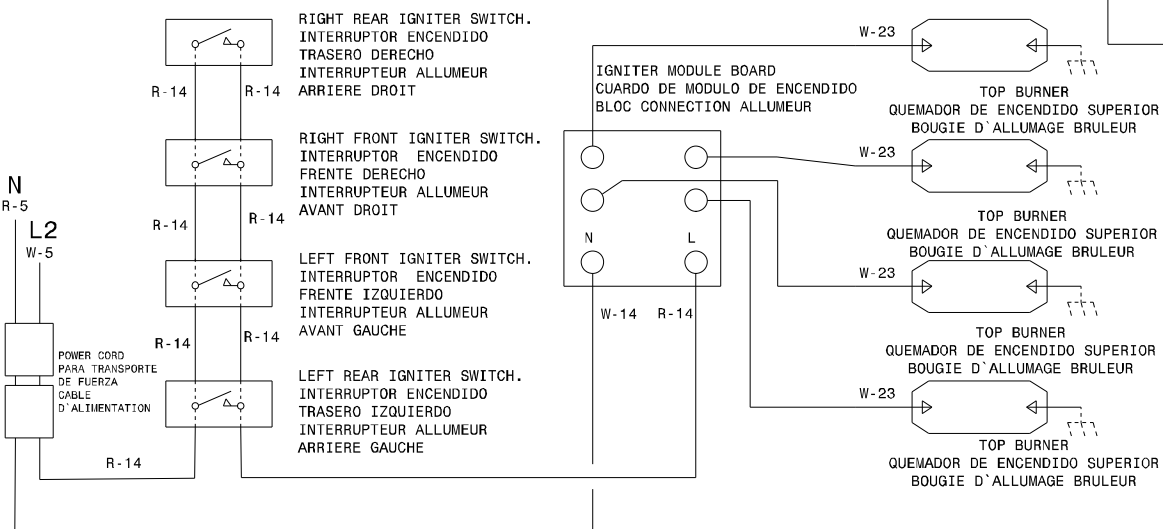
| CODE | GAUGE | TEMP.°C | CSA | UL |
|--------|---------|---------|---------|------|
| CODIGO | MEDIDA | | | |
| CODE | CALIBRE | | | |
| 1 | 18 | 125 | CL1251 | 3173 |
| 2 | 16 | 125 | CL1251 | 3173 |
| 3 | 14 | 125 | CL1251 | 3173 |
| 4 | 12 | 125 | CL1251 | 3173 |
| 5 | 18 | 150 | EXL-150 | 3321 |
| 6 | 16 | 150 | EXL-150 | 3321 |
| 7 | 14 | 150 | EXL-150 | 3321 |
| 8 | 12 | 150 | EXL-150 | 3321 |
| 9 | 10 | 150 | EXL-150 | 3321 |
| 10 | 18 | 200 | SEW-1 | 3122 |
| 11 | 16 | 200 | SEW-1 | 3122 |
| 12 | 12 | 250 | | 3252 |
| 13 | 16 | 250 | | 3252 |
| 14 | 20 | 150 | EXL-150 | 3321 |
| 15 | 8 | 150 | EXL-150 | 3321 |
| 16 | 8 | 60 | | |
| 17 | 10 | 60 | | |
| 18 | 10 | 200 | SEW-1 | 3122 |
| 19 | 20 | 125 | CL1251 | 3173 |
| 20 | 20 | 200 | SEW-1 | 3122 |
| 21 | 22 | 125 | CL-1251 | 3173 |
| 22 | 22 | 150 | EXL-150 | 3321 |
| 23 | 18 | 200 | | 3573 |

COLORS/CODIGOS/CODE COULEUR

BK. - BLACK/NEGRO/NOIR
G. - GREEN/VERDE/VERT
W. - WHITE/BLANCO/BLANC
R. - RED/ROJO/ROUGE
O. - ORANGE/NARANJA/ORANGE
Y. - YELLOW/AMARILLO/JAUNE
BR. - BROWN/MORENO/BRUN
BL. - BLUE/AZUL/BLEU



COOKTOP CIRCUIT / CIRCUITO DE PLANCHA DE COCINAR / CIRCUIT TABLE CUISSON



CAUTION: DISCONNECT CURRENT BEFORE REMOVING REAR COVER.
 ATENCION: CORTAR EL CORIENTE ANTES DE REALIZAR EL MANTENIMIENTO DEL ELECTRODOMESTICO.
 ATTENTION: COUPEZ L'ALIMENTATION AVANT D'EFFECTUER LA REPARATION.

318271911 REV:B