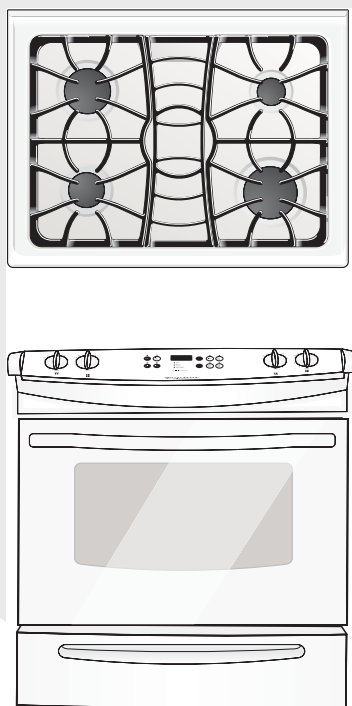


# Frigidaire

## Factory Parts Catalog



Product No.	FCS366EBB	FCS366ESB
	37954381G5062	37954381G5012
Series	30" gas	30" gas
Color	black	white
Market	North America	North America
Wiring Diagram	318271911	318271911
Owner's Guide	318203851	318203851
Installation Instructions	318201671	318201671
Service Data Sheet	318127022	318127022
Timer Guide	318200185	318200185

 **Electrolux**

Electrolux Major Appliances  
North & Latin America  
P.O. BOX 212378  
AUGUSTA, GA 30917

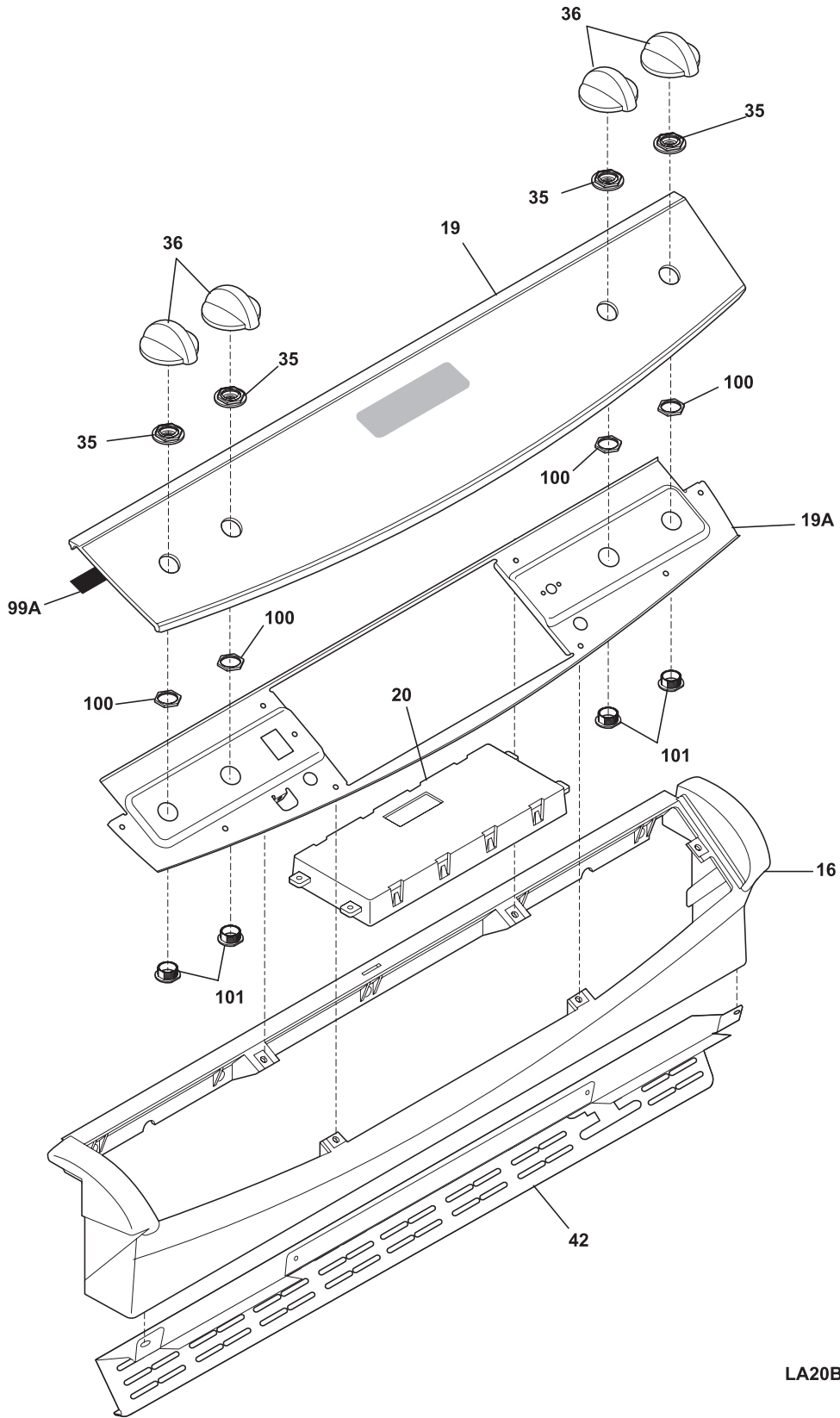
Publication No.  
**5995459608**  
06/01/26  
(EN/SERVICE/ECL)  
377

**30-INCH SLIDE-IN  
DUAL FUEL RANGE**

Model No.  
**FCS366E**

Copyright © 2006 Electrolux Home Products, Inc.  
All rights reserved.

**BACKGUARD**



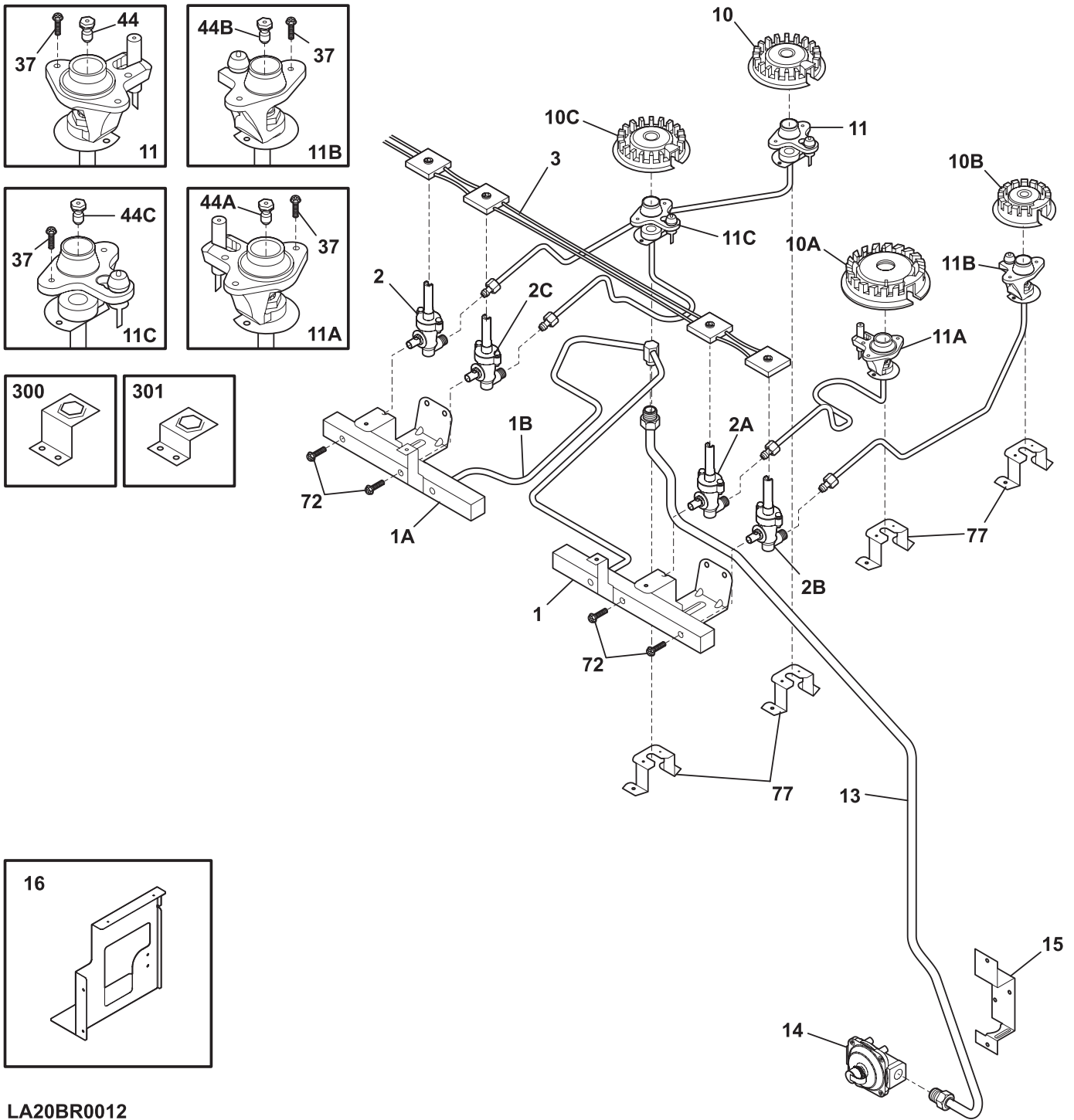
LA20BG0058

**BACKGUARD**

*Model Index:* A FCS366E (FCS366ESB)  
B FCS366E (FCS366EBB)

POS. NO	PART NO.		DESCRIPTION
16	318299100	A -	Console, assy., white
16	318299102	- B	Console, assy., black
19	318312204	A -	Control Panel Assembly, w/membrane, white
19	318312205	- B	Control Panel Assembly, w/membrane, black
19A	318224404	A B	Panel, control mtg.
20 #	316418532	A B	Clock/Timer, electronic, ES350
20*	5304453707	A B	Screw, control mtg.
35	318233721	A -	Retainer, control panel, white
35	318233720	- B	Retainer, control panel, black
36	316223025	A -	Knob, control, white
36	316223024	- B	Knob, control, black
42	318298001	A B	Trim, vent, black, upper
99A	318223900	A B	Gasket, dark grey
100	318233800	A B	Nut, hex
101	318233400	A B	Bushing, retainer
* #	318224811	A B	Harness, wiring, timer
*	08016432	A B	Screw, truss head, 8-18 x 0.375
*	5303300265	A B	Screw, 8-18 X 1/2, (2)
*	5303311333	A B	Screw, 8-32 x 3/8

**BURNER**



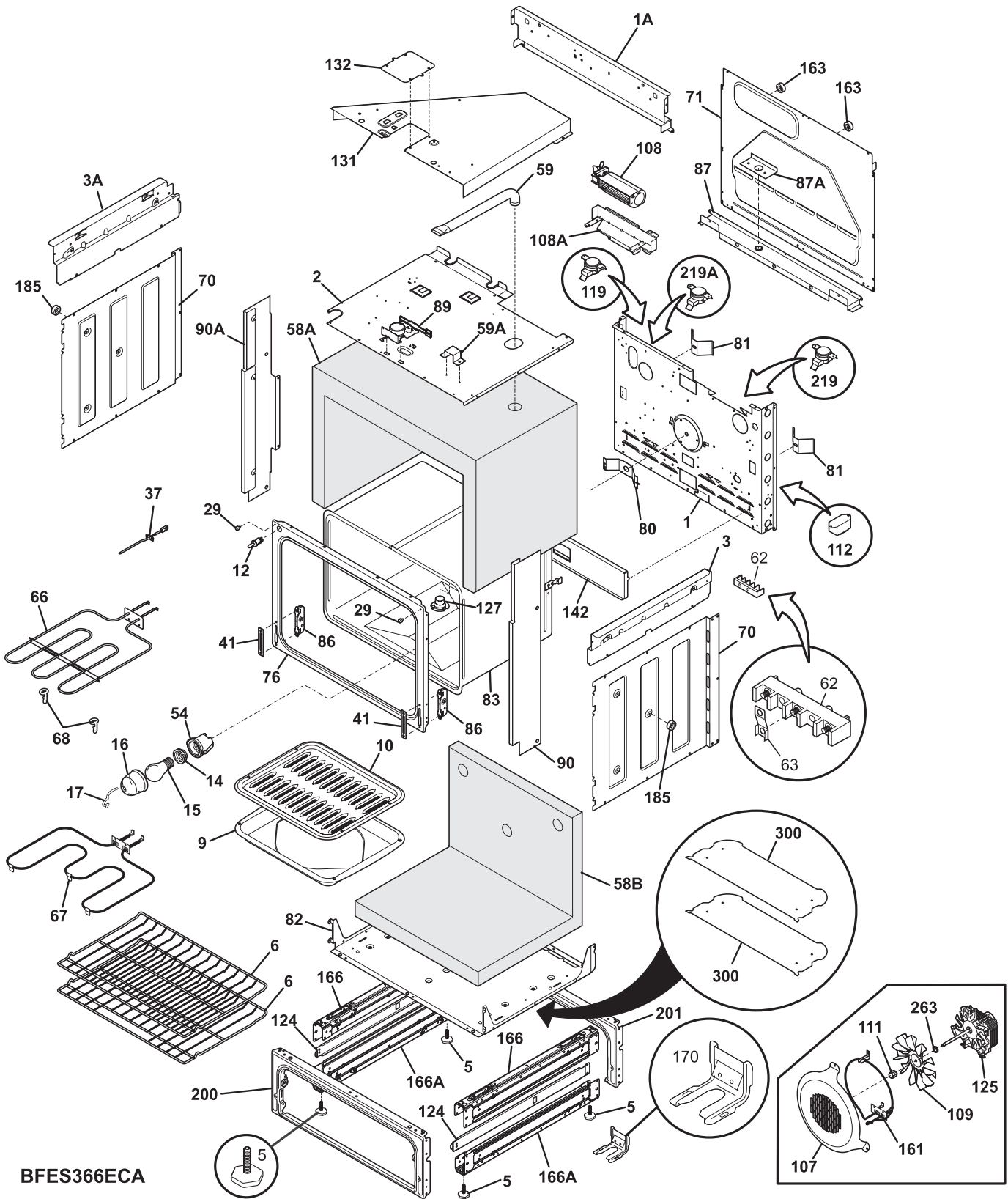
LA20BR0012

**BURNER**

*Model Index:* A FCS366E (FCS366ESB)  
B FCS366E (FCS366EBB)

POS. NO	PART NO.		DESCRIPTION
1	318305600	A B	Manifold, right side
1A	318305601	A B	Manifold, left side
1B	318305401	A B	Tube, manifold, 3/8, interconnect
2 #	318233920	A B	Valve, top burner, 12000 BTU
2A #	318233940	A B	Valve, top burner, 17000 BTU
2B #	318233900	A B	Valve, top burner, 5000 BTU
2C #	318233910	A B	Valve, top burner, 9500 BTU
3 #	318232600	A B	Wiring Harness, w/igntr switch
10 #	316212300	A B	Burner, sealed, 12K
10A#	316223300	A B	Burner, sealed, 17K
10B#	316206400	A B	Burner, sealed, 5K
10C#	316212400	A B	Burner, sealed, 9.5K
11	318306105	A B	Ignitor Assembly, 12K, left rear, w/tube & holder
11A	318306107	A B	Ignitor Assembly, 16K, right front, w/tube & holder
11B	318306108	A B	Ignitor Assembly, 5K, right rear, w/tube & holder
11C	318306104	A B	Ignitor Assembly, 9.5K, left front, w/tube & holder
13	318305100	A B	Tube, regulator, to manifold
14 #	318122700	A B	Regulator, pressure
14*	5303311306	A B	Screw, 8-18 x 0.375, (3)
15	318262800	A B	Bracket, regulator
16	318590002	A B	Panel, regulator mtg.
37	5303307980	A B	Screw, 8-32 x 0.437, (4)
44	316237901	A B	Orifice, top burner, 12K
44A	316237912	A B	Orifice, top burner, 16K
44B	316237903	A B	Orifice, top burner, 5K
44C	316237902	A B	Orifice, top burner, 9.5K
72	316215600	A B	Screw, valve mtg., 1/4 - 20
77	318192600	A B	Bracket, burner mtg, (5)
300	318322300	A B	Bracket, inlet, long, door
301	318322301	A B	Bracket, inlet, short, block
*	318186911	A B	LP Conversion Kit
*	318199725	A B	Wiring Harness, ignitor
*	08011955	A B	Screw, 10-24 x 0.375, square drive
*	5303211311	A B	Screw, 8 x 0.500

**BODY**

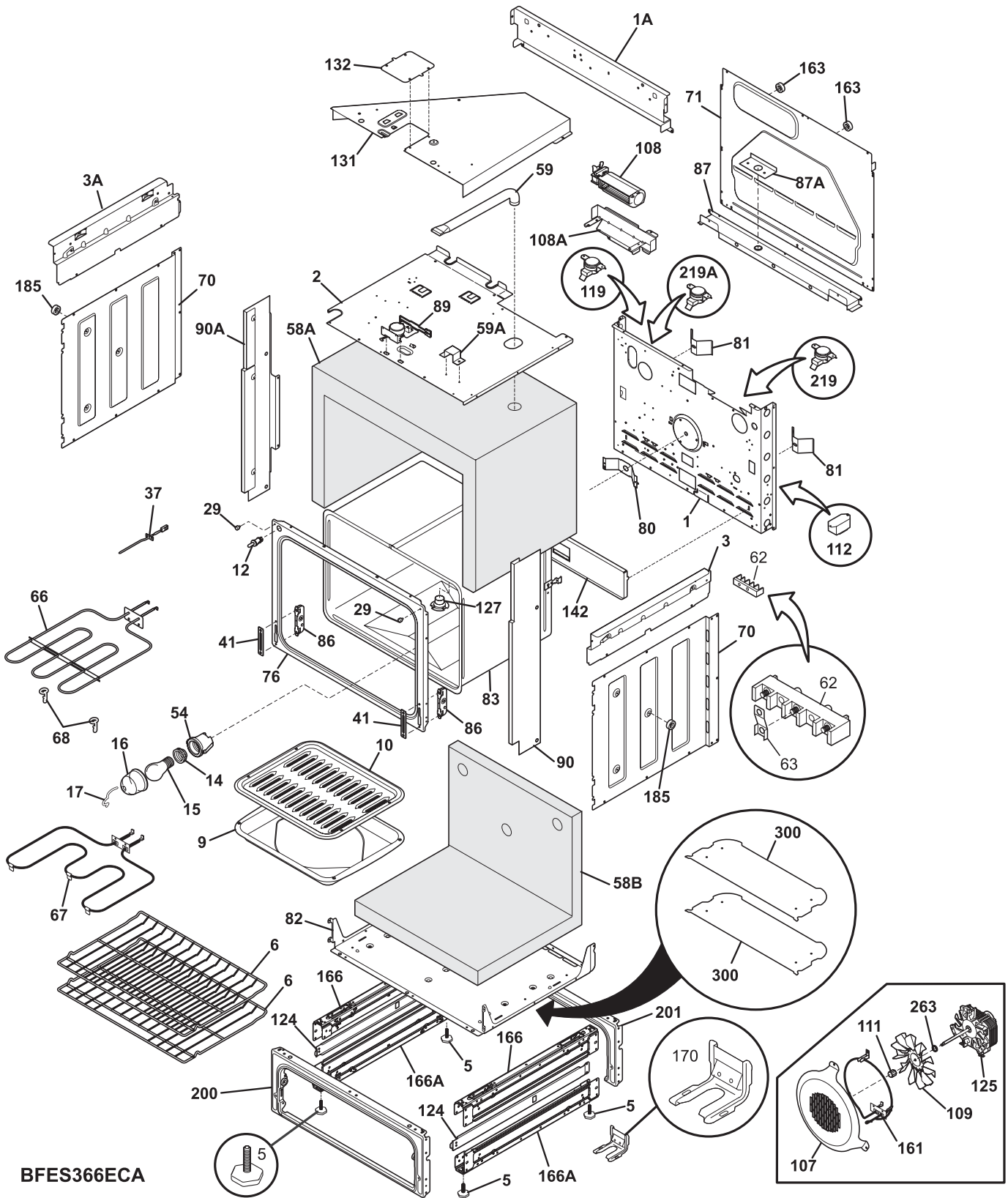


**BODY**

*Model Index:* A FCS366E (FCS366ESB)  
B FCS366E (FCS366EBB)

POS. NO	PART NO.		DESCRIPTION
1	318259202	A B	Back, main
1A	318225110	A B	Panel, main back, upper
2	318258902	A B	Shield, insulation, upper
3	318225210	A B	Panel, bodyside, upper RH
3A	318225211	A B	Panel, bodyside, upper LH
5	318175503	A B	Screw, leveling
6	318262502	A B	Rack, oven
9	5303317977	A B	Pan, broiler
10	5303317976	A B	Insert, broiler pan
12 #	318089917	A B	Switch, light
14	318224000	A B	Receptacle, oven light
15	5303013071	A B	Bulb/Lamp, light
16	3201911	A B	Cover, oven light, glass
17	5304400195	A B	Retainer, light cover
29	318147411	A B	Bumper, (2)
37 #	316217002	A B	Probe, oven temp
41	5303310526	A B	Cover, hinge cutout
54	318222400	A B	Housing, oven light
58A	318285055	A B	Insulation, oven wrapper
58B	318285056	A B	Insulation, oven back
59	318072560	A B	Duct, oven vent
59A	318261600	A B	Bracket, vent tube
62	5303935061	A B	Terminal Block Kit
62*	5303323139	A B	Screw, 10-24 x 0.906
62*	5303323144	A B	Nut, 10-32
63	318264200	A B	Plate, grounding strap
66 #	318255600	A B	Element, broil, 2750W
67 #	318255401	A B	Element, bake, 3400W
68	5304403015	A B	Support, hanger, (2), broil element
70	318259100	A B	Shield, insulation, sides, (2)
71	318260007	A B	Panel, rear box
76	318056217	A B	Front, oven
80	5303320846	A B	Plate, oven mtg
81	318192400	A B	Spring, oven
82	318258707	A B	Shield, insulation, lower
83	318261404	A B	Liner, oven assy
86	5303310524	A B	Receptacle, hinge
87	318260609	A B	Bracket, cable mtg.
87A	318111804	A B	Plate, cord set mtg
89 #	318261202	A B	Motor, latch assy
90	318296902	A -	Panel, filler, white, RH
90	318296904	- B	Panel, filler, black, RH
90A	318296903	A -	Panel, filler, white, LH
90A	318296905	- B	Panel, filler, black, LH
107	318219401	A B	Cover, fan
108#	318073018	A B	Motor, blower
*	318249401	A B	Tube, protector
108A	318251300	A B	Bracket, fan support
109	316136400	A B	Blade, fan

**BODY**



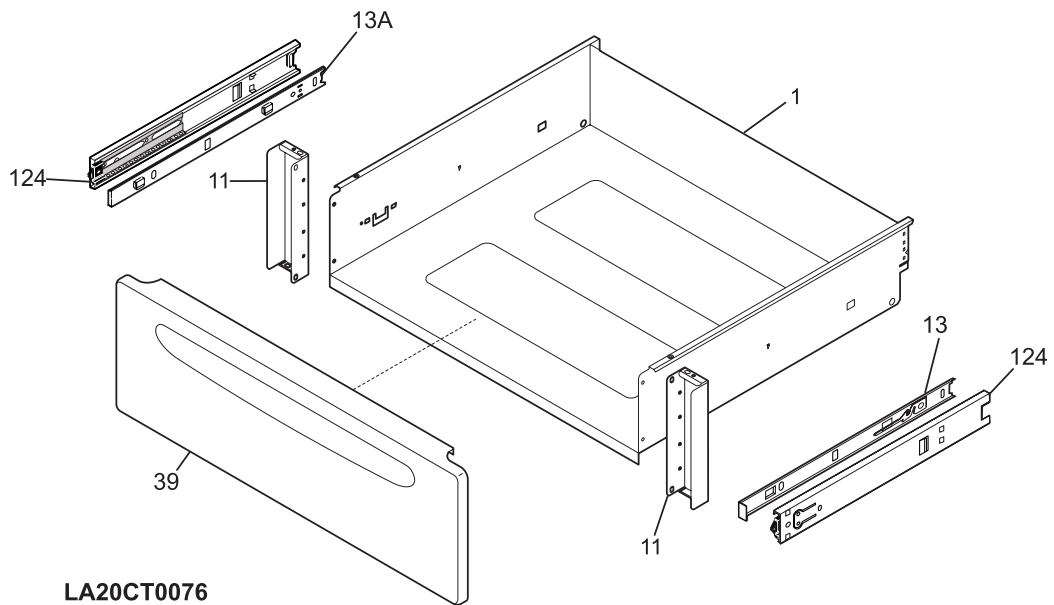
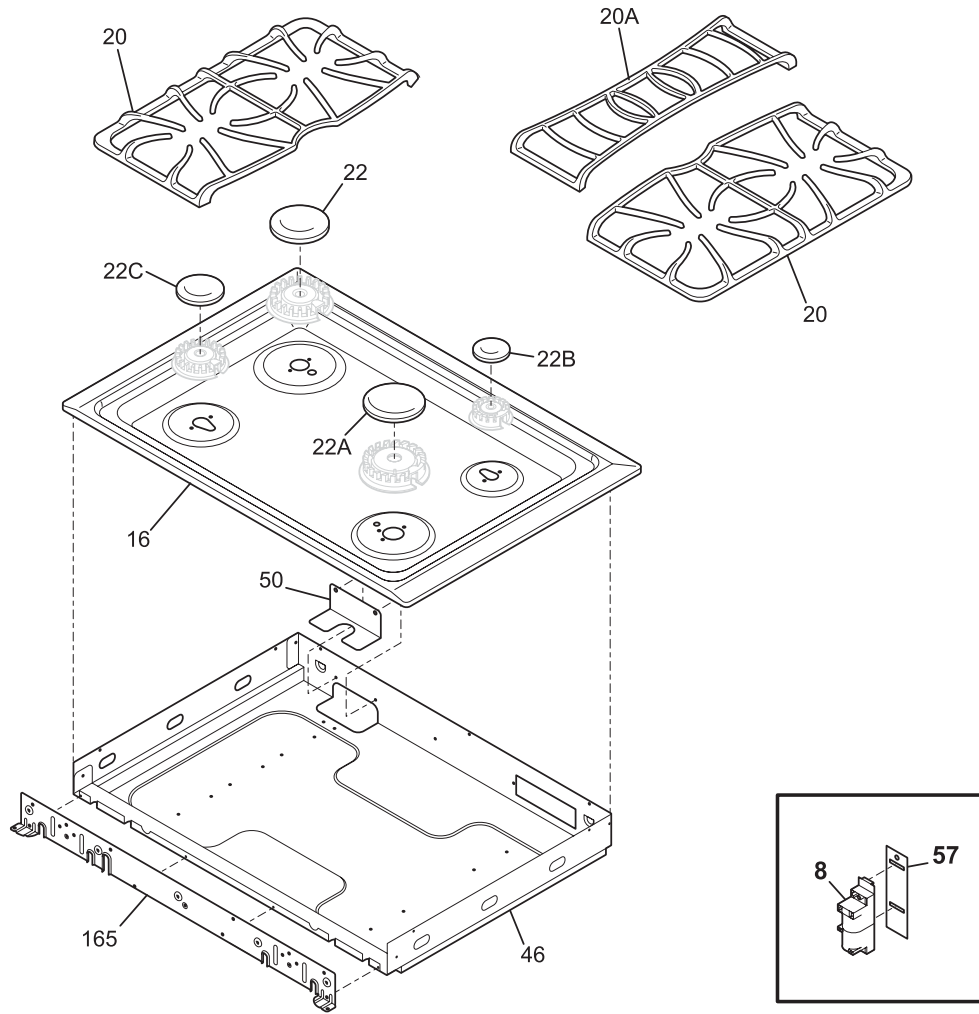


**BODY**

*Model Index:* A FCS366E (FCS366ESB)  
B FCS366E (FCS366EBB)

POS. NO	PART NO.		DESCRIPTION
111	316136600	A B	Nut, fan retainer
112#	318112703	A B	Relay
119#	318005202	A B	Switch, thermal cutout
124	318300800	A B	Bracket, glide, (2)
125#	316415800	A B	Motor, fan
127	318317100	A B	Adapter Assembly, vent tube, w/converter
131	318272900	A B	Box, vent
132	318003000	A B	Plate, shield
142	318123910	A B	Deflector
163	318014110	A B	Spacer, (6)
166	318298400	A B	Bracket, base support, (4)
166A	318298403	A B	Bracket, base support, lower, (2)
170	318335500	A B	Anti-tip & accessories
185	318165800	A B	Spacer, (2)
200	318298201	A B	Frame, drawer, black, front
201	318298210	A B	Frame, drawer
219#	318003614	A B	Thermostat, safety
219A	318003613	A B	Thermostat, safety
263	316136500	A B	Washer, flat
300	318326500	A B	Shield, heat
* #	318224935	A B	Harness, wiring, main
*	318235300	A B	Connector assy., w/3 lugs, & instructions
*	3051050	A B	Screw, shoulder
*	3201861	A B	Screw, 6 x 0.375, (4)
*	08016432	A B	Screw, truss head, 8-18 x 0.375
*	5303211311	A B	Screw, 8 x 0.500
*	5303307980	A B	Screw, 8-32 x 0.437, (4)
*	5303323129	A B	Screw, 8 X 0.750
*	5304415832	A B	Screw, 8-18 x 0.406
*	5304436875	A B	Screw, 8-18 X 1/2, black

TOP



LA20CT0076

---

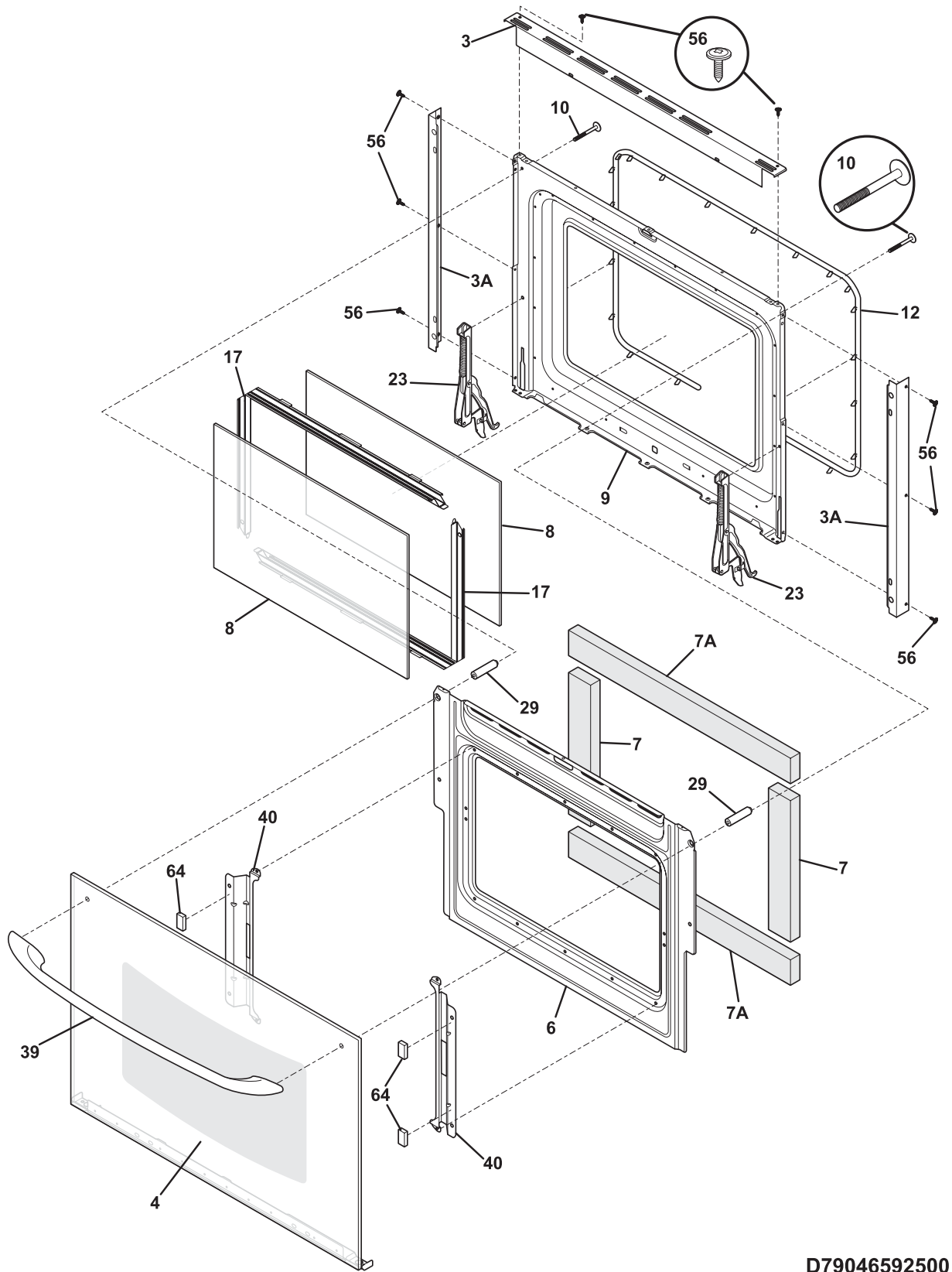
**TOP**


---

*Model Index:*    **A** FCS366E (FCS366ESB)  
                               **B** FCS366E (FCS366EBB)

POS. NO	PART NO.		DESCRIPTION
1	318107308	A B	Drawer
4	318298901	A -	Panel, drawer, white, front
4	318298903	- B	Panel, drawer, black, front
8 #	316135701	A B	Module, spark
11	318298601	A B	Bracket, drawer support, (2)
13	318259501	A B	Glide, warmer, inner RH
13A	318259500	A B	Glide, warmer, inner LH
16	318320004	A -	Maintop Assembly, white
16	318320005	- B	Maintop Assembly, black
20	316424605	A -	Grate, gray, (2)
20	316424601	- B	Grate, black, (2)
20A	318307105	A -	Grate, gray, center
20A	318307101	- B	Grate, black, center
22	316213601	A -	Cap, 12K burner, gray
22	316213600	- B	Cap, 12K burner, black
22A	316271901	A -	Cap, 17K burner, gray
22A	316271900	- B	Cap, 17K burner, black
22B	316206601	A -	Cap, 5K burner, gray
22B	316206600	- B	Cap, 5K burner, black
22C	316213501	A -	Cap, 9.5K burner, gray
22C	316213500	- B	Cap, 9.5K burner, black
46	318291401	A B	Box, burner
50	318328500	A B	Cover, burner box
57	318295610	A B	Panel, service
124	316105501	A B	Glide, warmer drawer, outer/RH & LH, (2)
165	318227504	A B	Plate, mounting
*	5303325171	A B	Washer, plastic
*	318014110	A B	Spacer, (6)
*	318163600	A B	Cleaner, cooktop
*	08016432	A B	Screw, truss head, 8-18 x 0.375
*	5303211311	A B	Screw, 8 x 0.500
*	5303300265	A B	Screw, 8-18 X 1/2, (2)
*	5303311333	A B	Screw, 8-32 x 3/8

DOOR



D79046592500

---

**DOOR**


---

*Model Index:*    **A** FCS366E (FCS366ESB)  
                               **B** FCS366E (FCS366EBB)

POS. NO	PART NO.		DESCRIPTION
3	318260201	A B	Trim, oven door, black, upper
3A	318260401	A B	Trim, oven door, side, (2)
4	318261301	A -	Glass Assy., oven door, white, outer, w/trim
4	318261300	- B	Glass Assy., oven door, black, outer, w/trim
6	318260500	A B	Baffle, door
7	318285057	A B	Insulation, oven door
7A	318285062	A B	Insulation, oven door
8	316117500	A B	Glass, oven door, heat barrier
9	318259601	A B	Liner, oven door
10	5304453223	A B	Screw, handle mtg, 10-14 x 1.82, (2)
12	318053130	A B	Seal, oven door
17	316402403	A B	Spacer, door glass, (2)
23	318024722	A B	Hinge, door, (2)
29	318014402	A B	Spacer, door
39	316270201	A -	Handle, door, white
39	316270200	- B	Handle, door, black
40	318242700	A B	Bracket, glass holder, (2)
56	5304436875	A B	Screw, 8-18 X 1/2, black
64	318165800	A B	Spacer, (2)
*	316221001	A B	Label, anti-tip
*	5304415832	A B	Screw, 8-18 x 0.406

WIRING DIAGRAM

